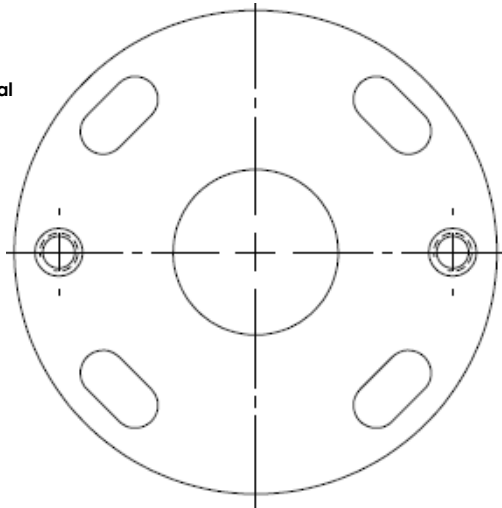


1:1 template for pre-drilling:

Cut out or make a photocopy, and use directly on your wall for accurate placing of the holes.

Make sure the horizontal line is in level.



Technical information:

Light source: E14, 1x40W incandescent or 1x30W halogen bulb.
Turn power off when changing light bulb.
The lamp is not approved for outdoor use or use in damp/wet rooms.

Some advice on cleaning your BestLite:

Powder coated parts – base/bracket and shade:

Wipe the parts with a damp cloth soaked in warm water and a bit of mild detergent.

Chrome plated parts:

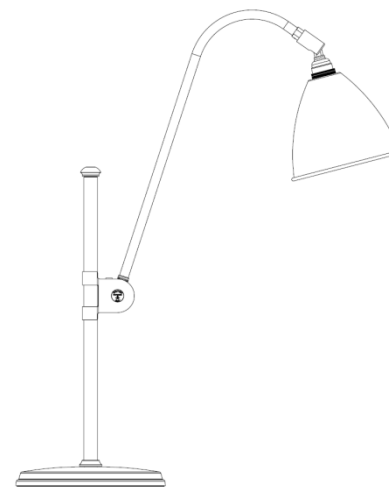
Wipe the lamp with a damp cloth and wipe dry to bring up lustre.
If the surface is sticky use a metal polish made especially for chromium or other soft metals.

Use only soft cloth for wiping and polishing, never sponges or steel wool.

Do not use abrasive household cleaners.

Do not use acidic or alkaline cleaning materials, glass cleaner or household ammonia.

BESTLITE • GUBI, Klubiensvej 7-9, DK-2150, Nordhavn, Denmark • www.gubi.com



Dear BestLite customer,

Congratulations on your BestLite!

You have chosen a genuine design classic, which has been in continuous production for more than 75 years.

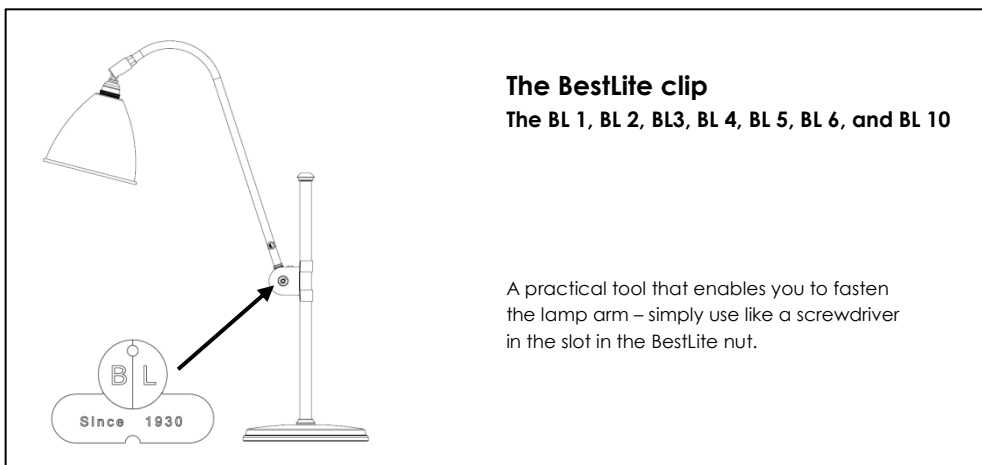
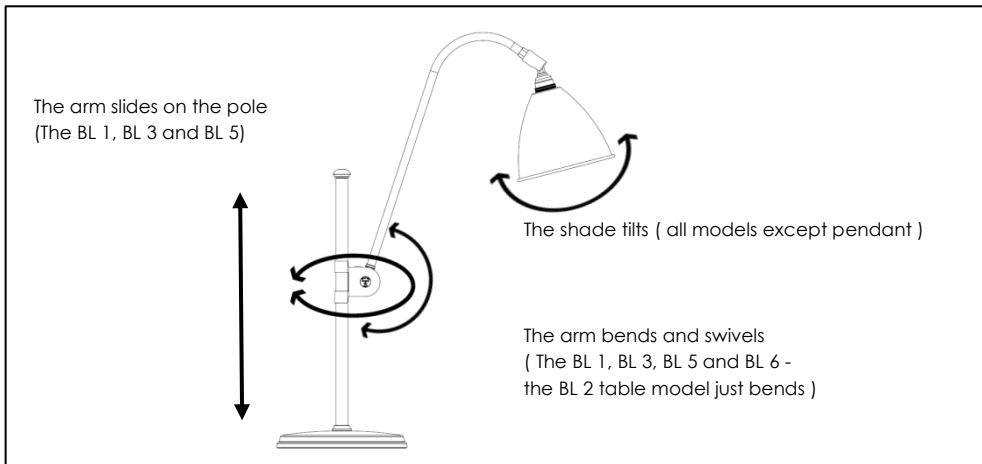
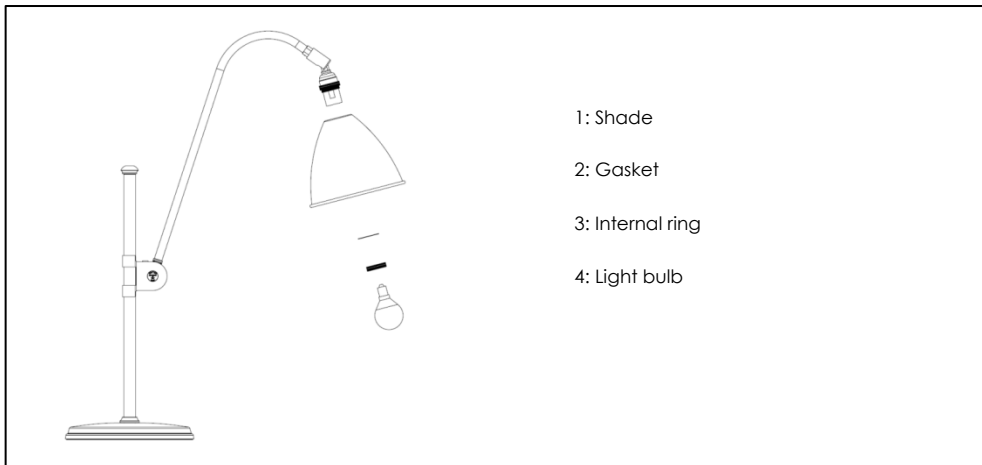
On the other side of this leaflet you will find some useful instructions for the use of your BestLite.

Should you have any questions, please feel free to e-mail us at gubi@gubi.com or visit us at www.gubi.com.

Best regards,
BestLite

BESTLITE

— BY GUBI —



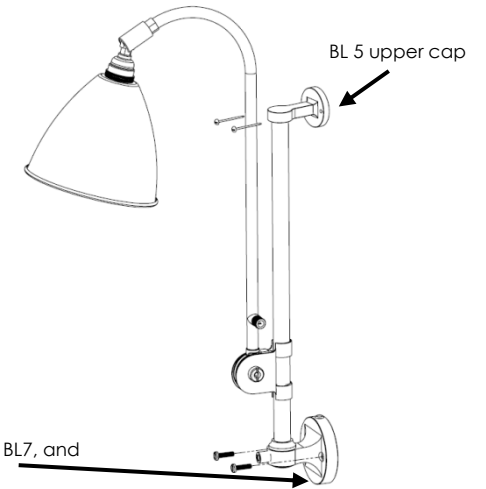
Wall mounting instructions

The BL 5 (two caps), BL 6, BL7, and BL 10

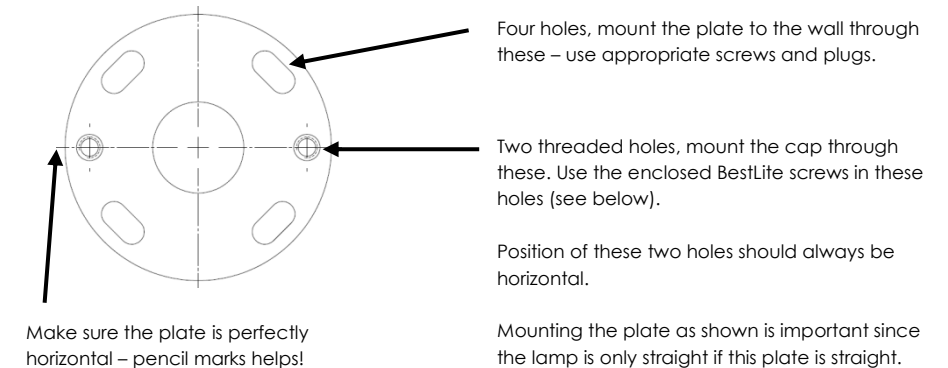
Hardwiring:

For hard wiring the lamp, follow the instructions:

10-15-010-02_Bestlite_Hardwiring_EU



The wall mounting plate



Wall mounting:

1. Choose and pencil mark the spot carefully.
Pre-drilling and use of plugs in the wall is recommended.
2. Mount the plate – make sure you use appropriate screws and plugs for your wall as this plate carries the weight of the lamp.
When mounting the BL 5, mount the lamp with the upper cap attached to top of the pole (see above) – and only mount the upper cap, when the lamp is secured in its straight position.
3. When the plate is fastened to the wall – attach the lamp by screwing the cap and lamp firmly onto the plate.

