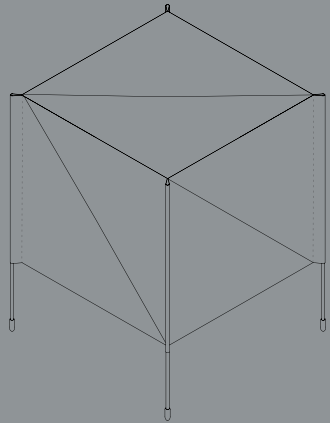
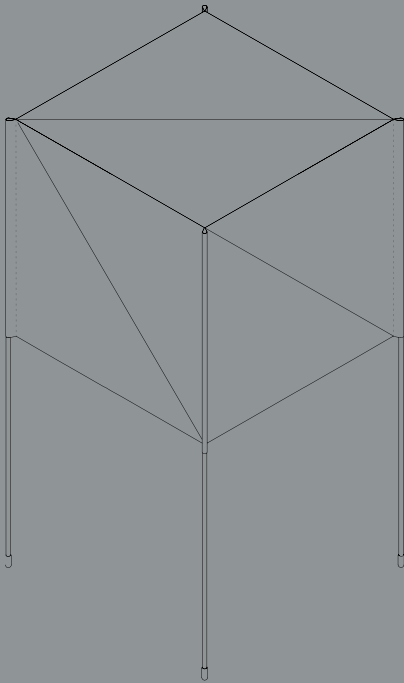


- INSTRUCTION MANUAL -

PAPER CUBE LAMP COLLECTION



DESIGN BY BERTJAN POT

HAY

- GENERAL INFORMATION -

TECHNICAL DATA

This product is fitted with an E14 (EU) or E12 (US) bulb fitting for the table version and E27 (EU) or E26 (US) bulb fitting for the floor version. HAY recommends using this product with frosted LED bulbs.

FITTING TYPE TABLE | E14 (EU) or E12 (US)

POWER (W) | 5-8W

COLOUR TEMPERATURE | Warm white

FITTING TYPE FLOOR | E27 (EU) or E26 (US)

POWER (W) | 8-15W

COLOUR TEMPERATURE | Warm white

HAY will not accept any responsibility for any accidents, injuries or damages that occur due to the use of incorrect bulbs.

ATTENTION

Ensure that the power supply to the circuit has clearly been turned OFF before installing the product. In some countries, electrical installation must be carried out by authorised electricians/contractors; please check with your local authority for guidance.

The product must not be modified in any way. HAY accepts no responsibility for any products that have been modified or tampered with. If the external flexible cable or cord of this luminaire is

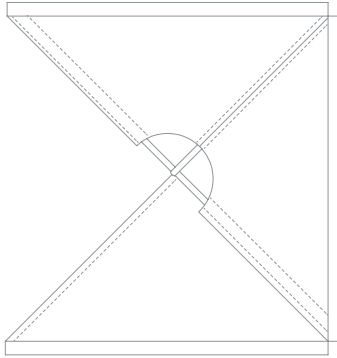
damaged, it should be exclusively replaced by a qualified electrician in order to avoid an electrical hazard. These lamps are designed for indoor use only.

- The Paper Cube Lamp Collection is designed to be used with LED based light sources only.

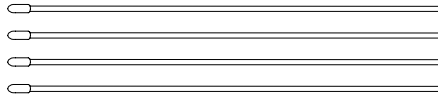
CARE AND MAINTENANCE

Do not use wet or damp cloths for cleaning and maintaining the shade. Please use a dry, lint-free cloth or duster to remove any dirt.

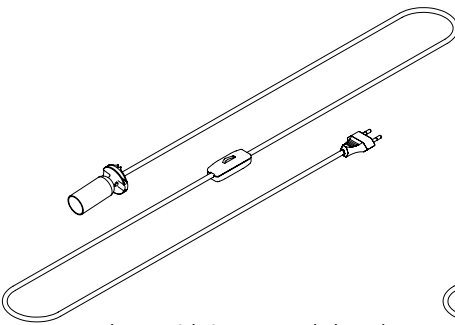
- PARTS -



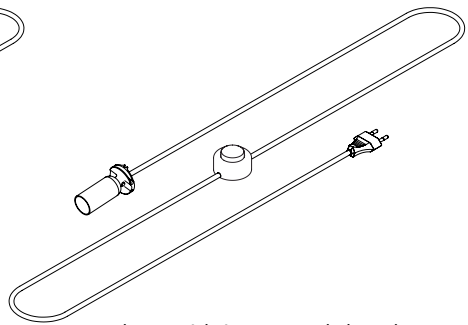
Paper Shade



Legs



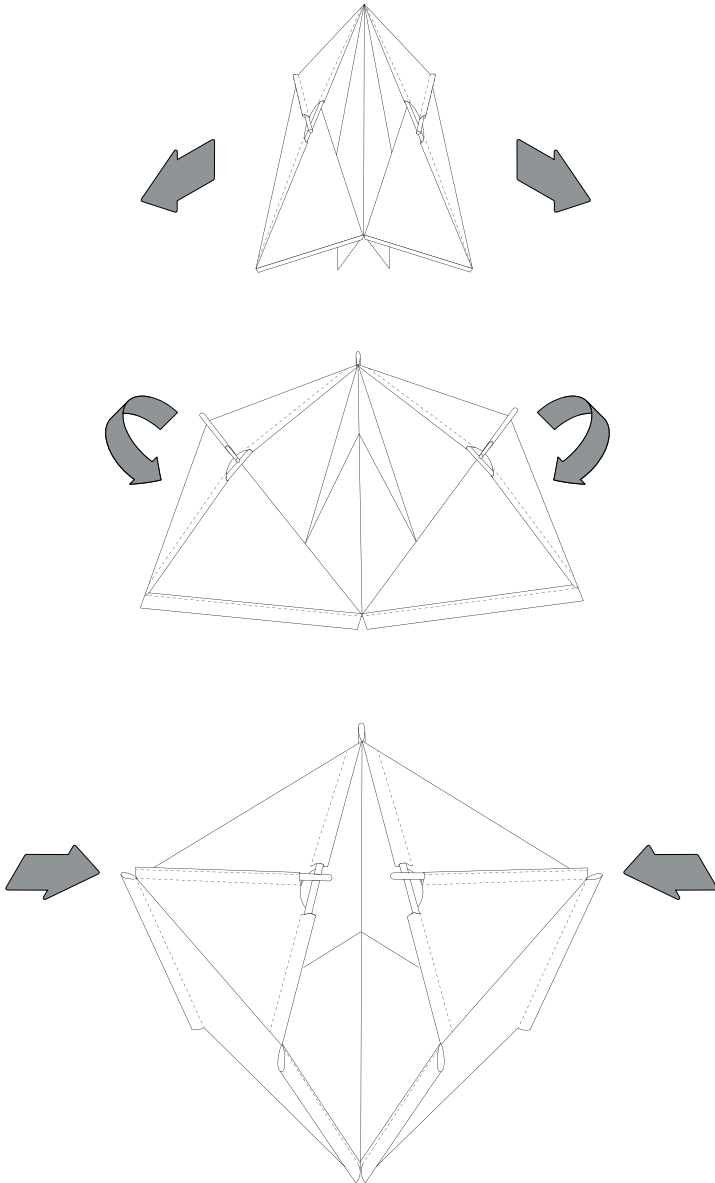
Cord set with integrated dowel
connector for table lamp



Cord set with integrated dowel
connector for floor lamp

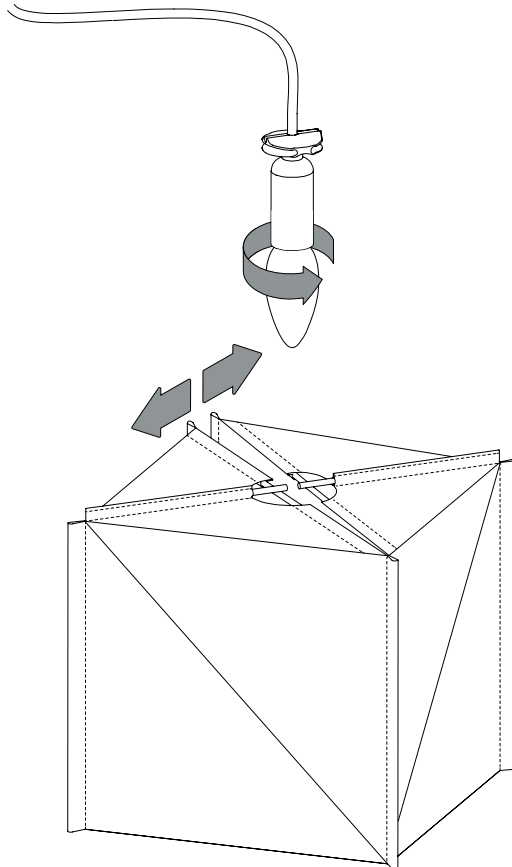
1.

Unpack all the parts and check that you have received all the parts listed. Begin by unfolding the paper shade, following the illustrations below. Then place it upside down on a clean, flat surface.



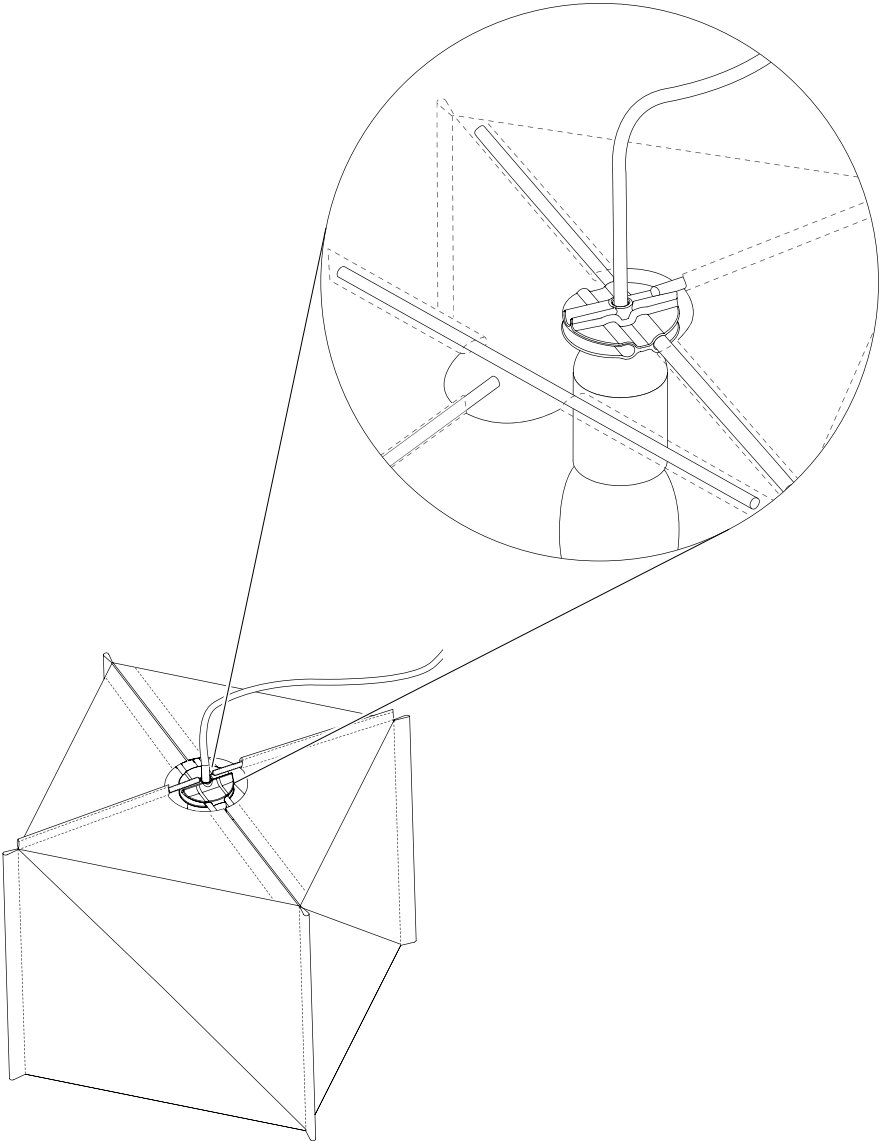
2.

Before assembling the shade and dowel connector, begin by screwing the bulb into the bulb holder. For recommended bulbs, please refer to the technical data specification on the first page. Carefully open the paper shade and insert the bulb so it is inside the paper shade. Move to the next step to see how you clip in the wooden dowels.



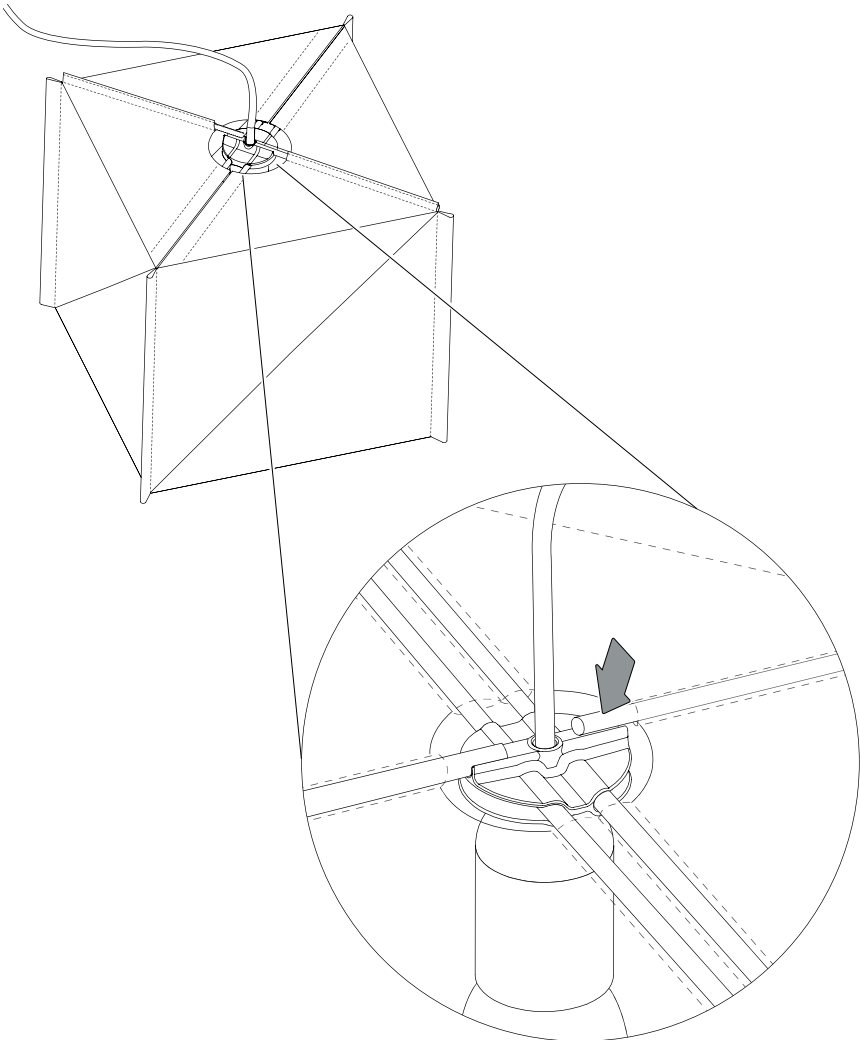
3.

Locate the two longer dowels and clip them, one at a time, into the slots in the middle of the dowel connector as pictured below.



4.

Repeat with the two smaller dowels, and clip them into the slots on the bottom of the dowel connector, as pictured below. This will ensure the shade is completely stable.

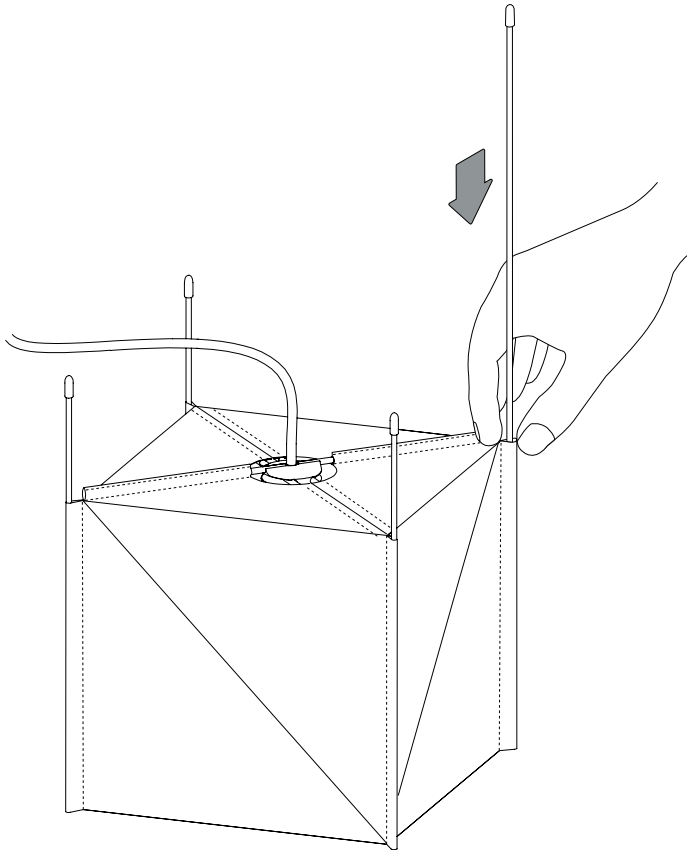


5.

Carefully pinch the top edge of the shade's corners and insert the legs. Then flip the lamp over to a standing position.

Plug in the cable and the light is ready to use.

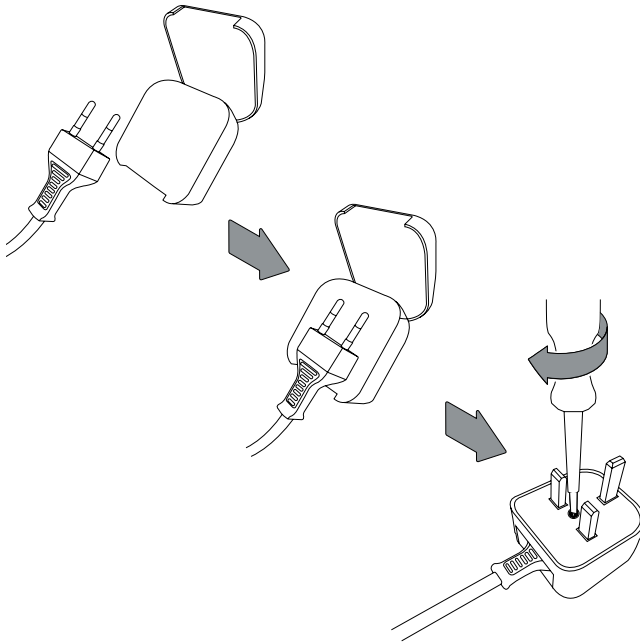
Note: For the floor version, the wooden legs are longer.



- UK CUSTOMERS ONLY -

For UK customers, a plug converter will be supplied. If not included, please contact the HAY retailer from where the lamp was purchased.

Insert the EU plug into the converter provided. Close the converter over the EU plug with the pins secured in the internal spring clip contacts. Screw the converter together to ensure the UK plug is secure.



- CARE & MAINTENANCE -

Our Care & Maintenance offers guidance for optimal maintenance of your HAY product. It includes advice and instructions on cleaning and caring for specific materials to prolong the life of your lighting.



Please find our Care & Maintenance guide by scanning the QR code



You can find more relevant information on Paper Cube Lamp Collection by scanning the QR code

You can also find the same information here hay.dk/downloads

Havnen 1 8700 Horsens Denmark
+45 4282 0282 / hay@hay.com

www.hay.com

21/12/2021

HAY