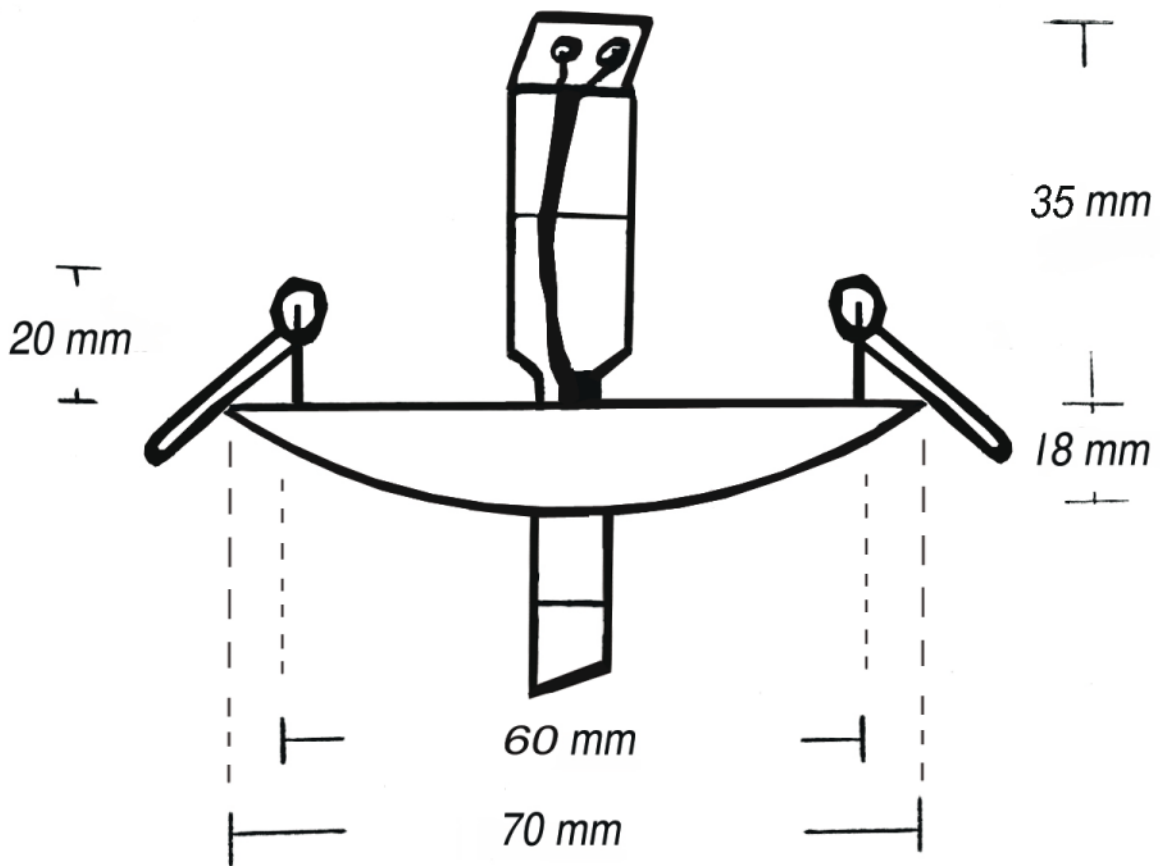


LED Halbeinbauleuchten Art.-Nr. 554-178-xx



Assembly instructions:

- drill a hole of 10mm in diameter into the wall
- install lamp and secure with mother
- This applies to all semi-recessed lamps