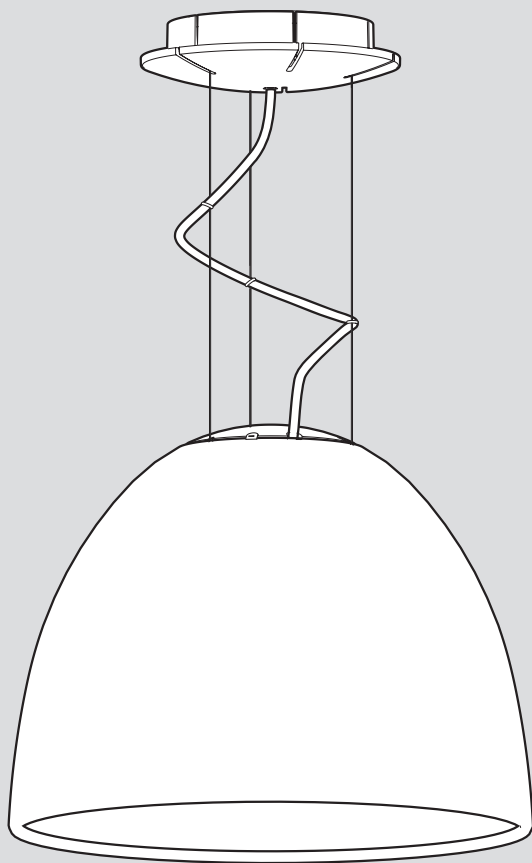


Artemide®

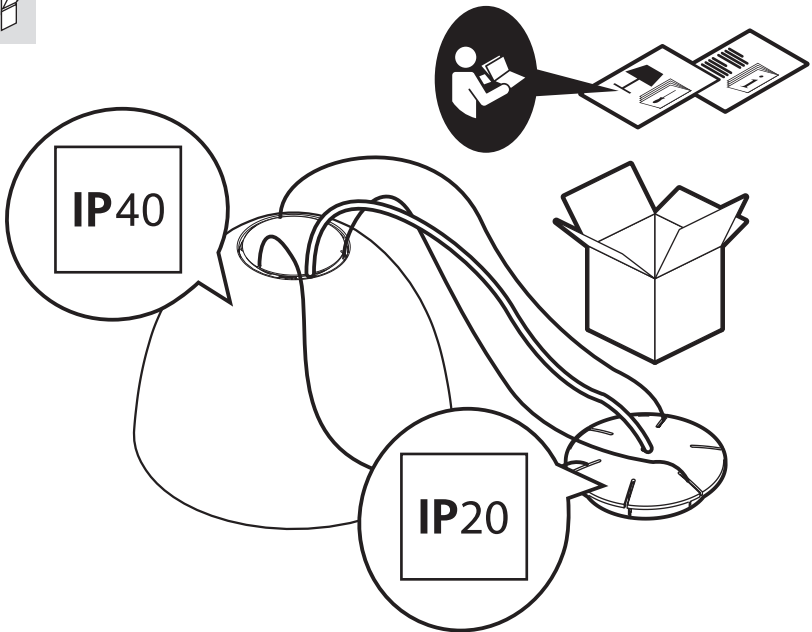
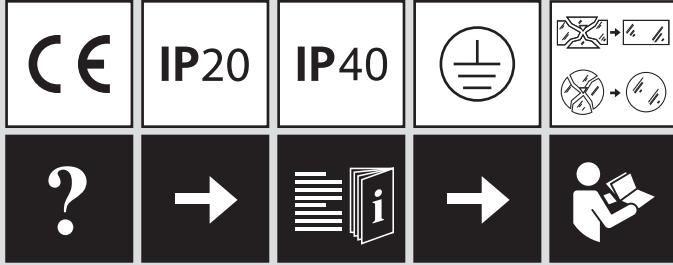
Nur mini

design
Ernesto Gismondi





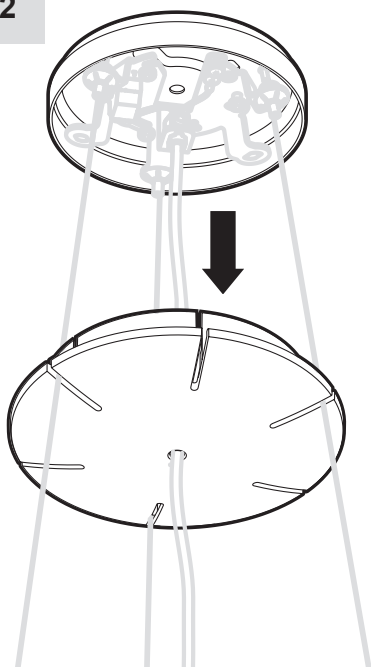
i



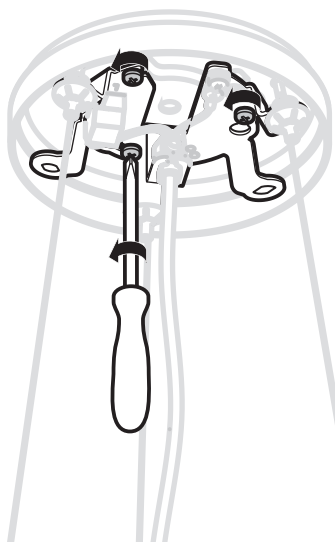
1



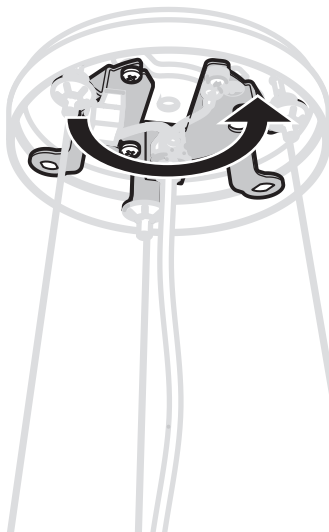
2



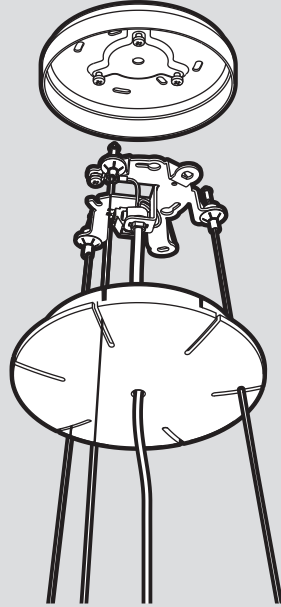
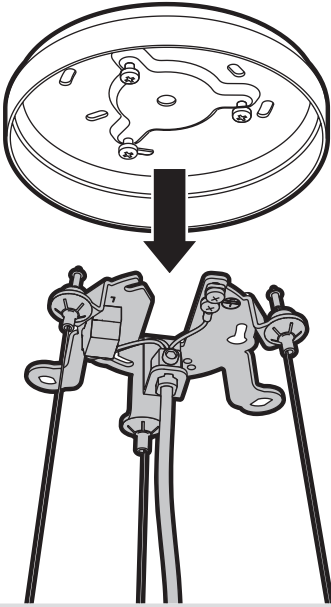
3

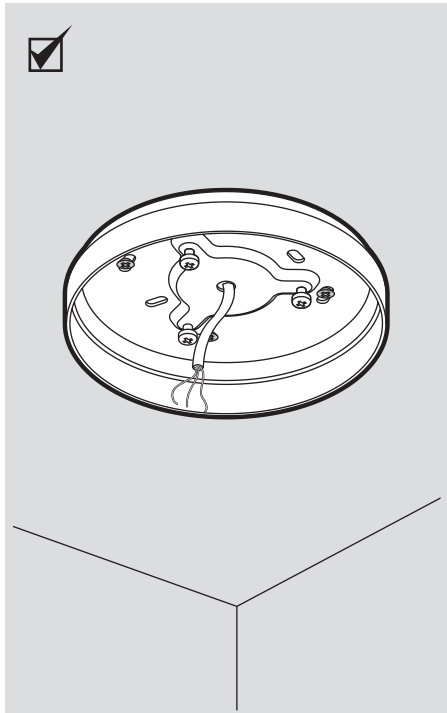
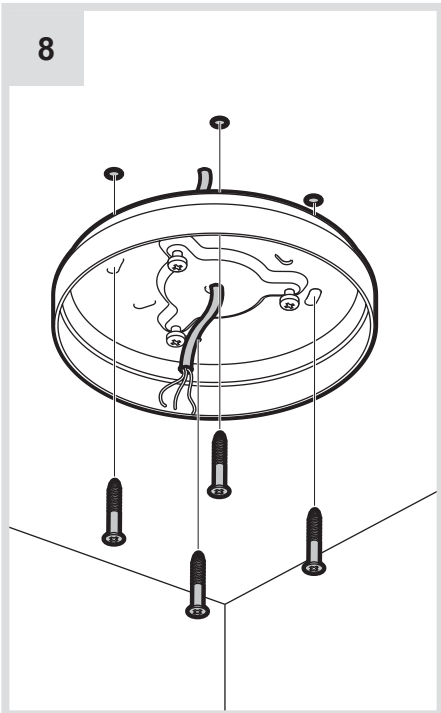
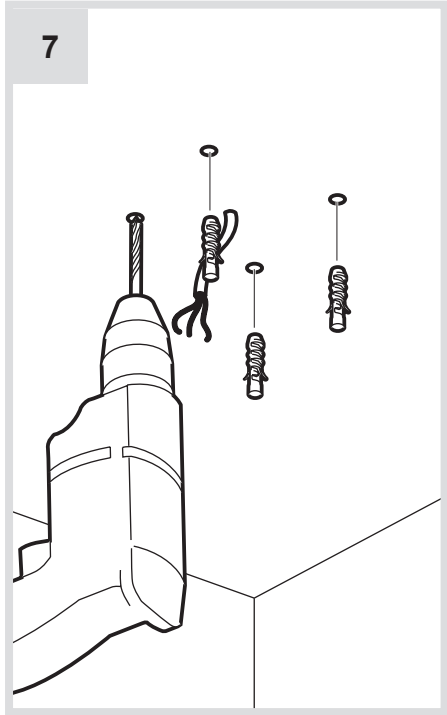
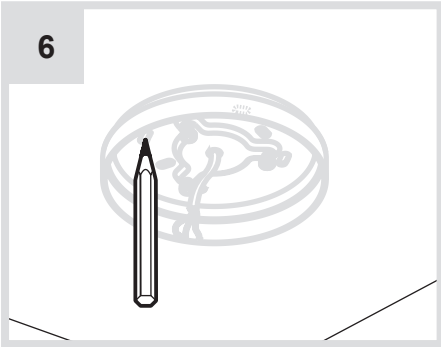
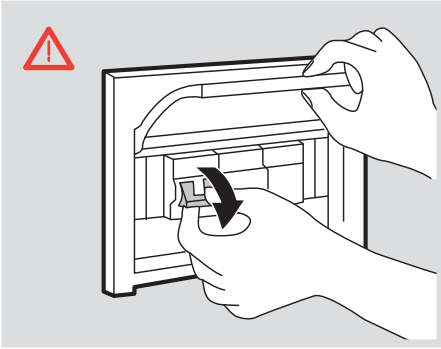


4

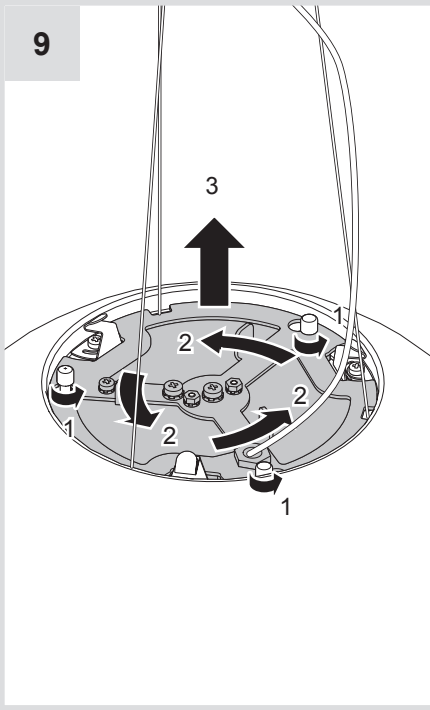


5

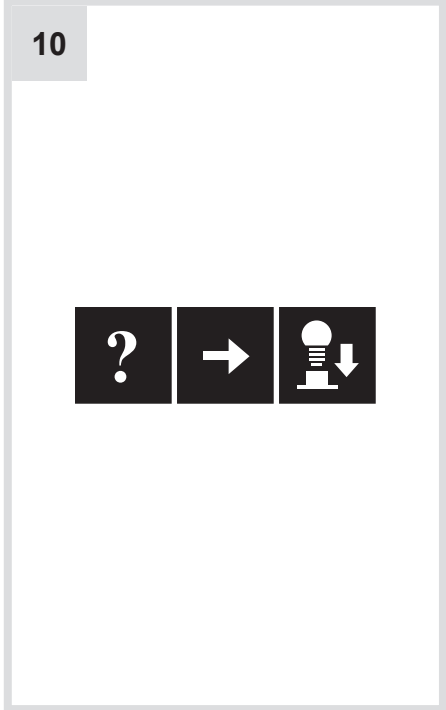




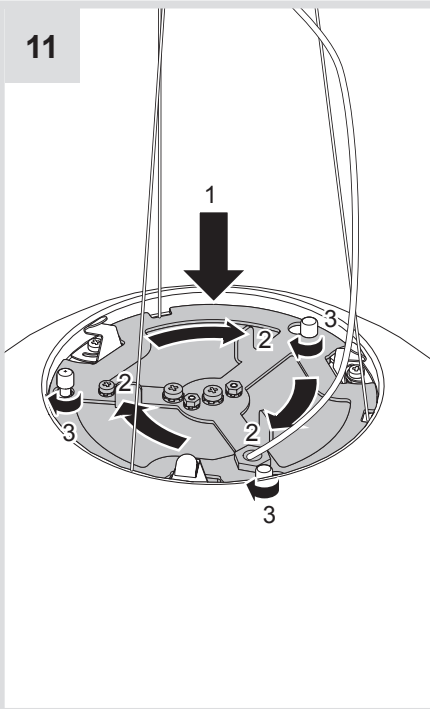
9



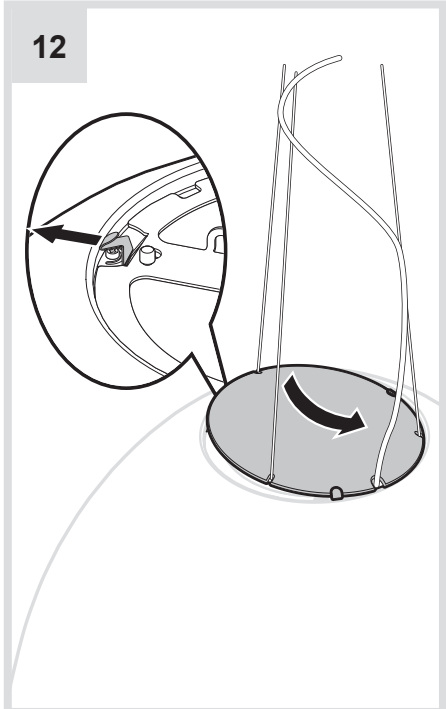
10

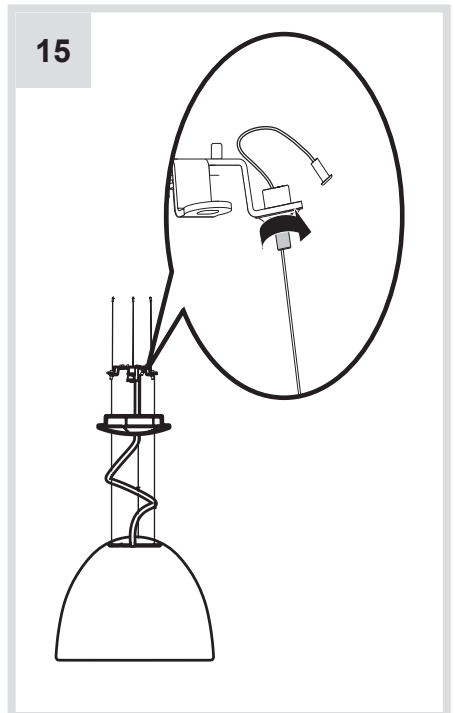
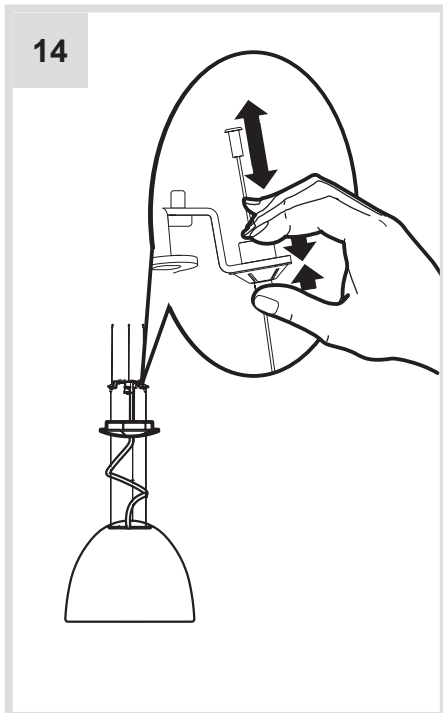
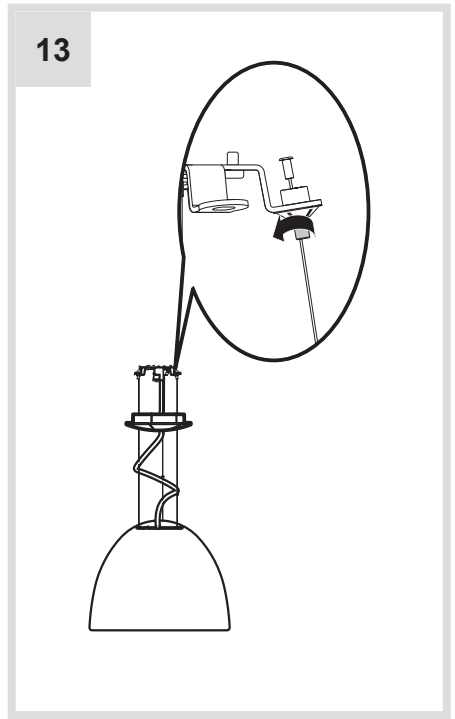
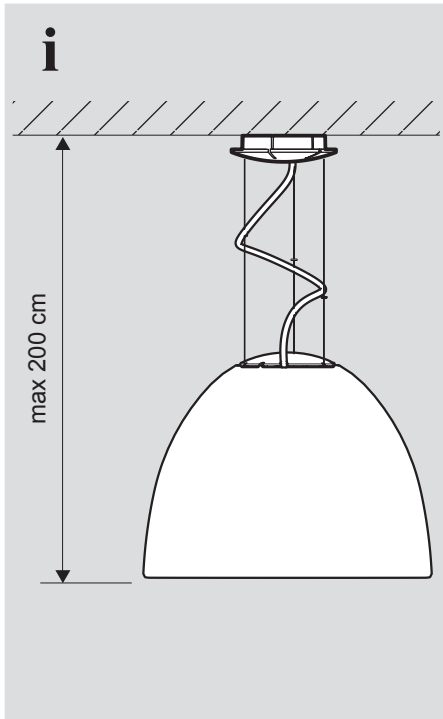


11

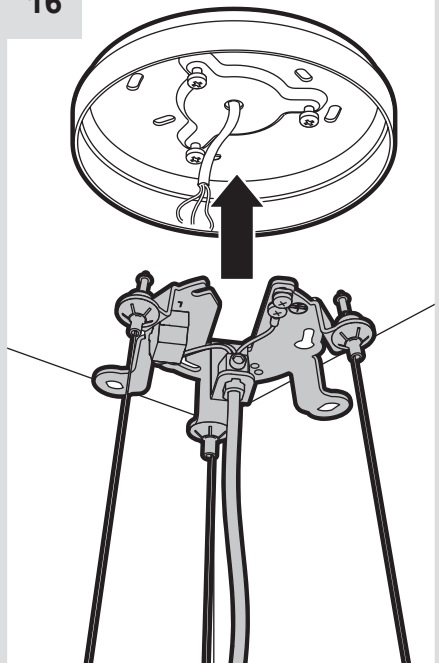


12





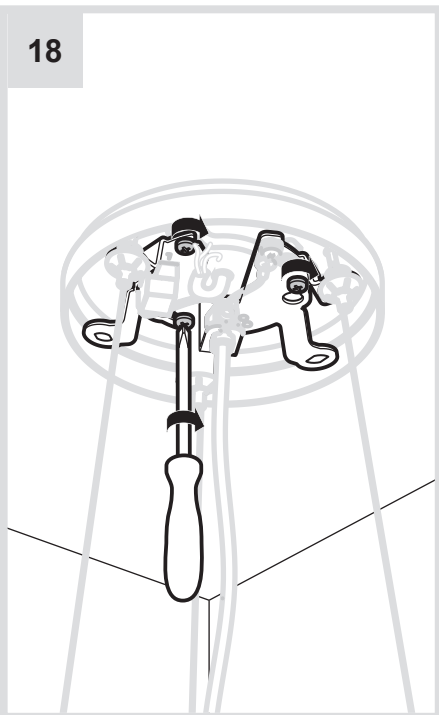
16



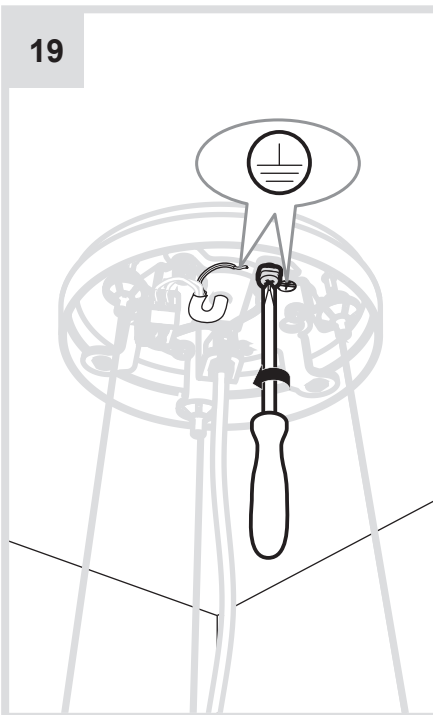
17



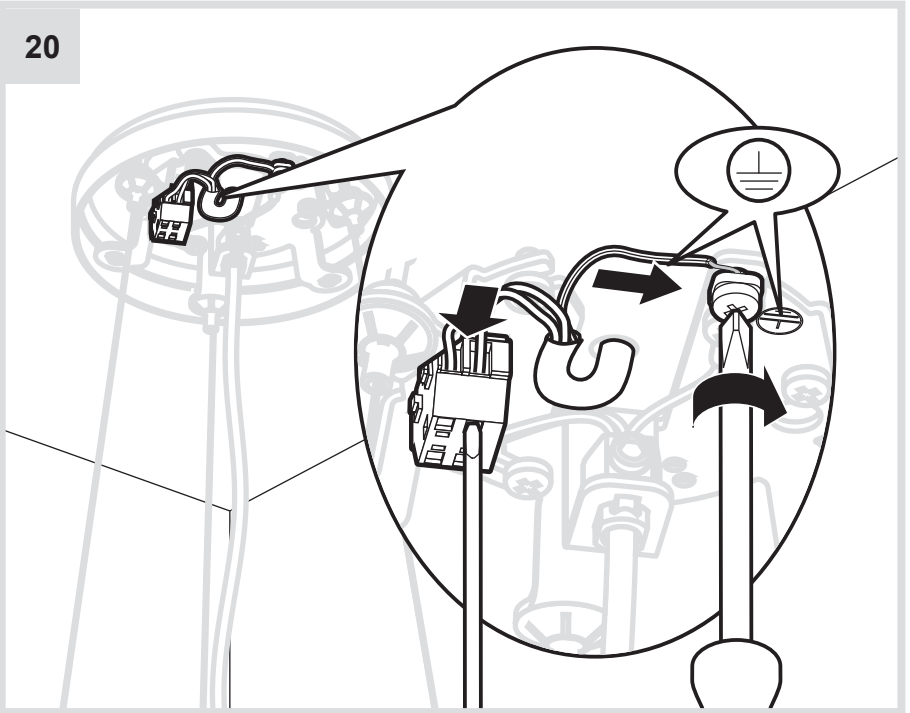
18



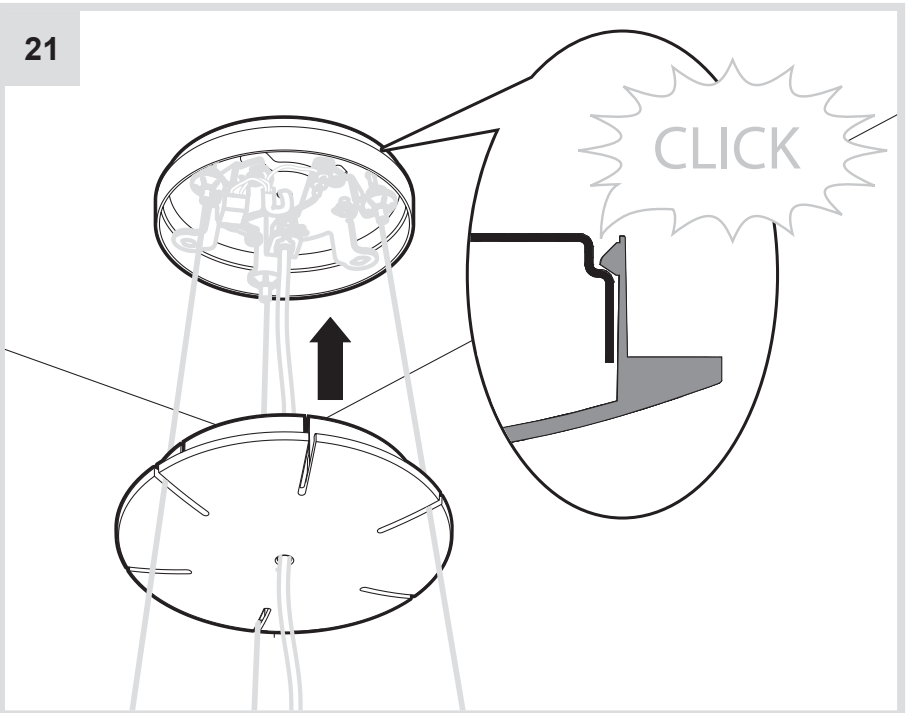
19



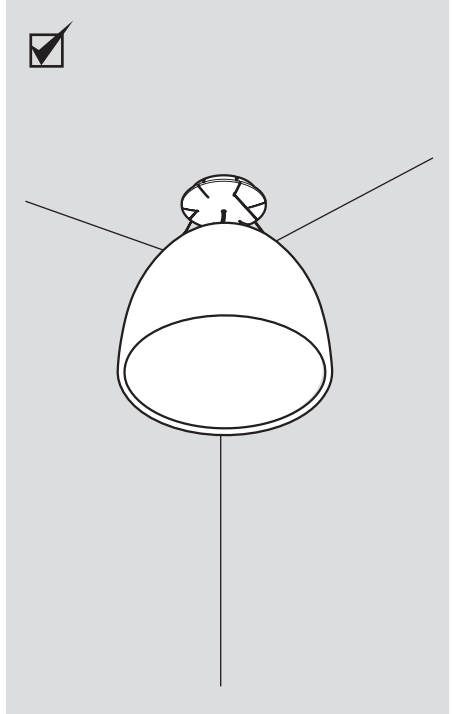
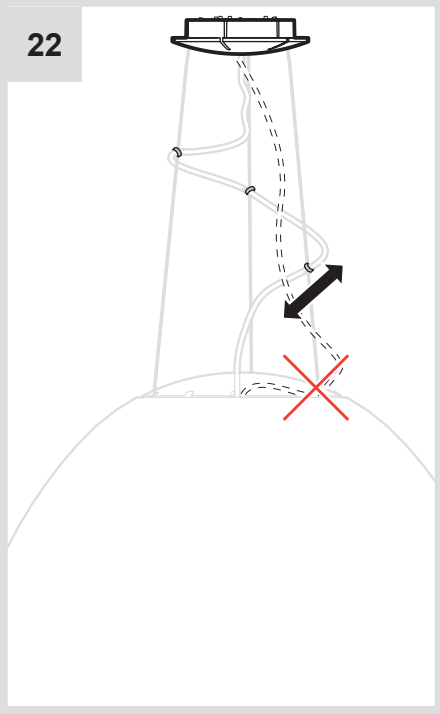
20



21

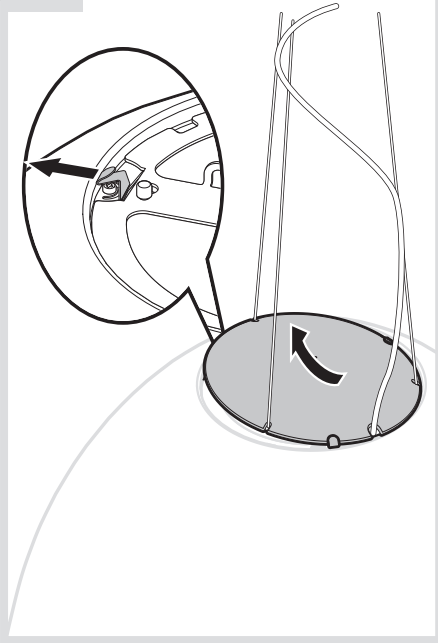


22

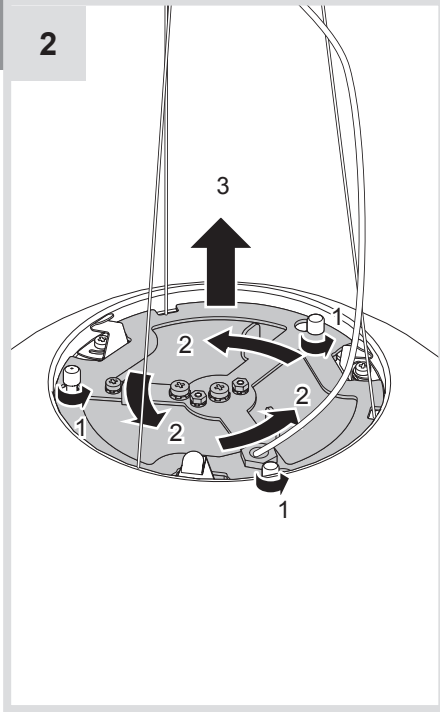




1



2



HALO

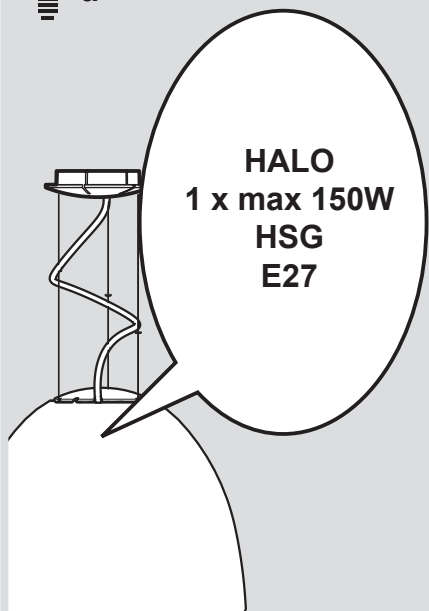


FLUO



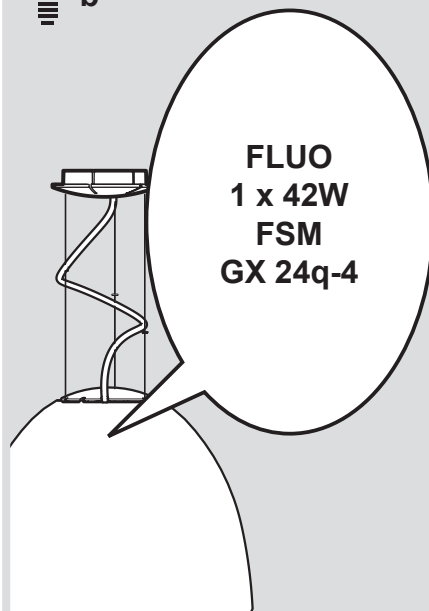
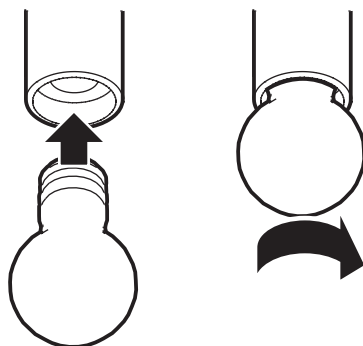
HQI





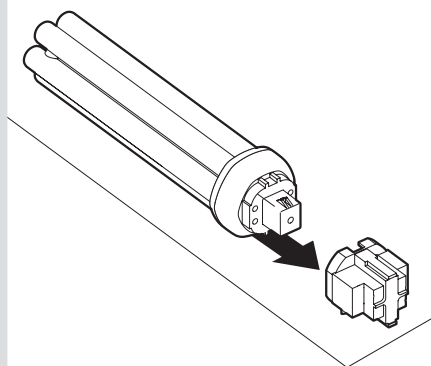
HALO
1 x max 150W
HSG
E27

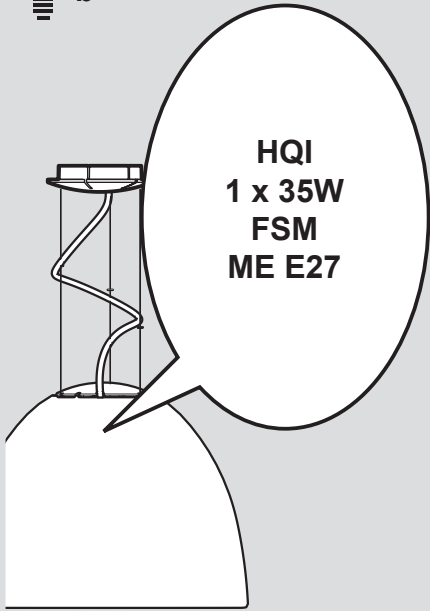
3a



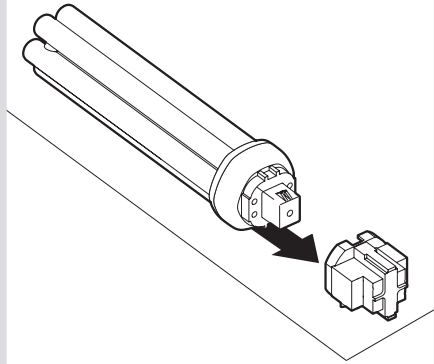
FLUO
1 x 42W
FSM
GX 24q-4

3b

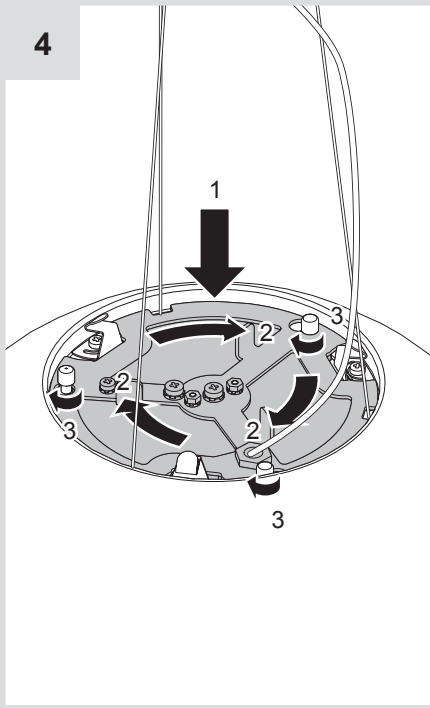




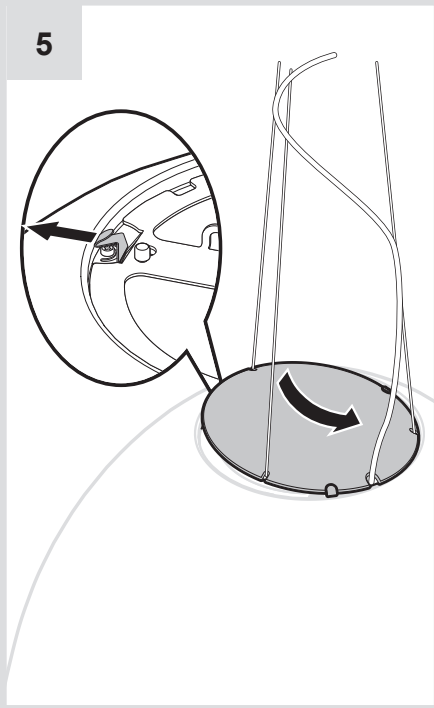
3b

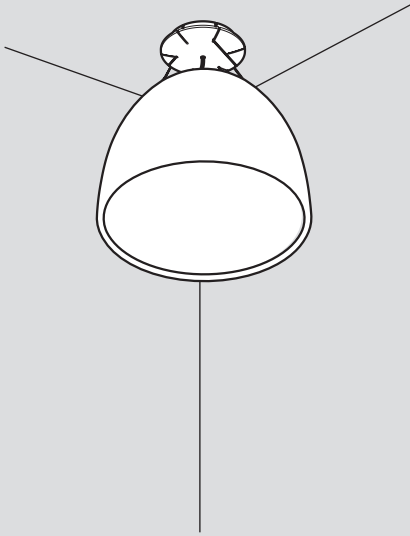


4



5

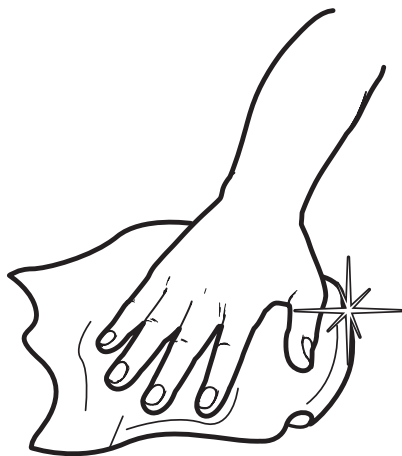




i



1



Artemide®



Artemide

via Bergamo, 18
20010 Pregnana M.se (MI)
ITALIA

tel. +39 02 935 181
fax +39 02 935 90 254
fax +39 02 935 90 496

www.artemide.com

VAT IT00846890150

cod. Y513000023