

COSTANZA

design Paolo Rizzatto



| | | | |
|---------------|---|---|-----------------------------------|
| Type: | Table | | |
| Light source: | D13 / D13c / D13 pt | LED E27 dimmable 105W E27 energy saver | EEL: A++/A+/A EEL: D |
| | D13 i / D13 if / D13 pti | LED E27 105W E27 energy saver 20/23W FB E27 | EEL: A++/A+/A EEL: D EEL: A |
| Product use: | Indoor | | |
| Materials: | Aluminium stem, interchangeable polycarbonate silkscreened shade | | |
| Colors: | Structure in alu, black, off white, brass Shade in white, comfort green, edgy pink, mistic white, soft skin, shaded stone, primary red, liquorice black, petroleum blue, smart yellow, concrete grey | | |
| Description: | Blending tradition and technology, Costanza reinterprets the classic repertoire with contemporary forms. The interchangeable polycarbonate lampshade emits a warm and pleasant light. The rod-like sensor dimmer switch turns the lamp on and off, with four light intensities. | | |



Insulation class:

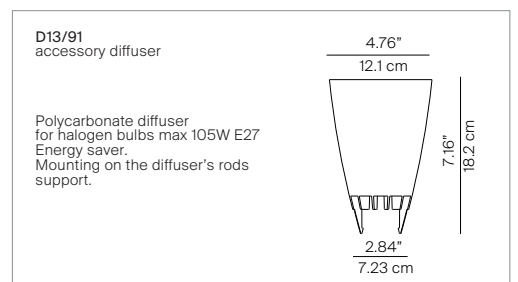
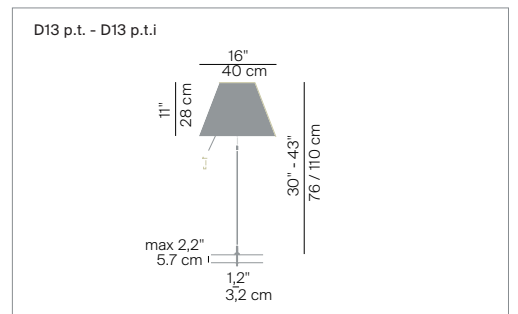
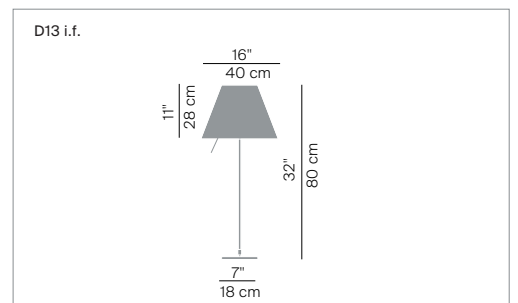
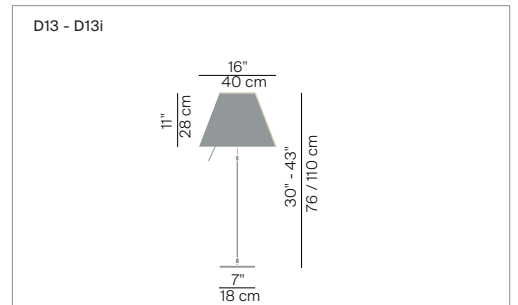
Awards: Concours de la Creation Artistique SIL/Paris, Lampe d'Argent, 1988

| | | | |
|-----------------|---------------|-------------|--|
| Reference code: | Structure | | |
| D13 c | 1D13N=00C020A | alu / white | |
| D13 | 1D13N=000020 | alu | |
| | 1D13N=000017 | black | |
| | 1D13N=000003 | off white | |
| D13 i | 1D13N=000030 | brass | |
| | 1D13N=010020 | alu | |
| | 1D13N=010003 | off white | |
| D13 if | 1D13N=01F020 | alu | |
| | 1D13N=01F003 | off white | |
| D13pt | 1D13NPT00020 | alu | |
| D13 pti | 1D13NPT10020 | alu | |

| | | |
|---------|--------------|-------|
| Shade | | |
| D13/1/4 | 1D13001NT002 | white |

| | | |
|-----------------------|--------------|---------------|
| Mezzo Tono collection | | |
| D13/1/2 | 9D1301511737 | comfort green |
| | 9D1301511724 | edgy pink |
| | 9D1301511734 | mistic white |
| | 9D1301511738 | soft skin |
| | 9D1301511739 | shaded stone |

| | | |
|---------------------|--------------|-----------------|
| Radieuse collection | | |
| D13/1/2 | 9D1301511708 | primary red |
| | 9D1301511701 | liquorice black |
| | 9D1301511736 | petroleum blue |
| | 9D1301511706 | smart yellow |
| | 9D1301511705 | concrete grey |



NEW COLOUR COLLECTIONS

MEZZO TONO

SOFT SKIN
CIPRIA
PUDER
ROSE PÂLE
ROSA PÁLIDO



COMFORT GREEN
VERDE ALCHIMIA
SEEGRÜN
VERT D'EAU
VERDE AGUA



MISTIC WHITE
BIANCO NEBBIA
NEBELWEISS
BLANC MYSTIQUE
BLANCO MISTICO



EDGY PINK
ROSA MISTICO
MYSTISCHES ROSA
PÊCHE
MELOCOTÓN



SHADED STONE
NOCCIOLA
NOUGAT
NOISETTE
CANELA



RADIEUSE

LIQUORICE BLACK
NERO LIQUIRIZIA
LAKRITZSCHWARZ
NOIR RÉGLISSE
NEGRO HOLLÍN



SMART YELLOW
GIALLO VIVO
KANARIENGELB
JAUNE VIF
AMARILLO FUERTE



PETROLEUM BLUE
BLU PETROLIO
PETROLBLAU
BLEU MARINE
AZUL PETROLEO



CONCRETE GREY
GRIGIO CEMENTO
BETONGRAU
GRIS BÉTON
GRIS ASFALTO



PRIMARY RED
ROSSO PRIMARIO
JOHANNISBEERROT
ROUGE PRIMAIRE
ROJO PRIMARIO

