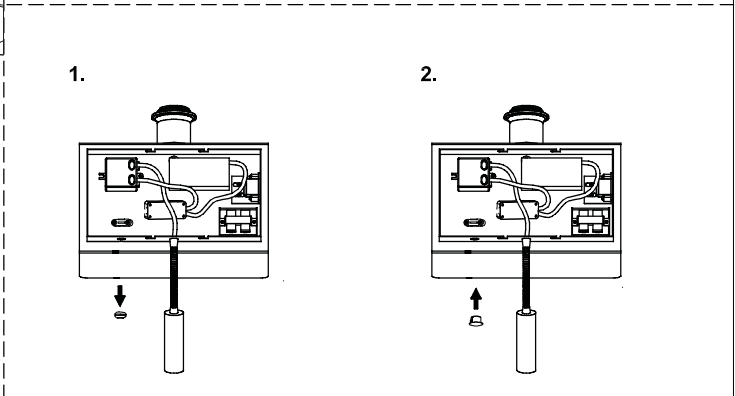
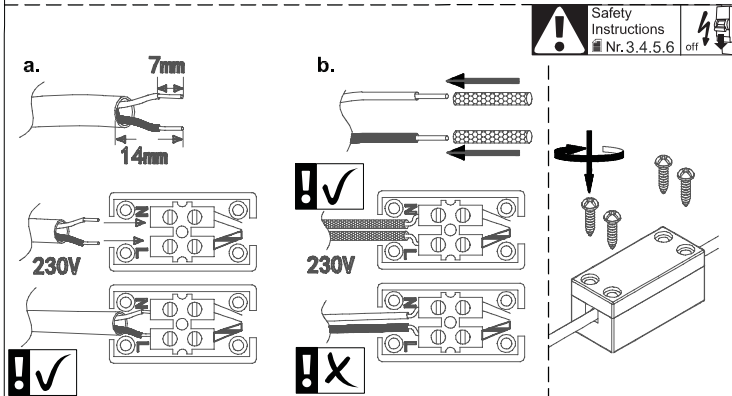
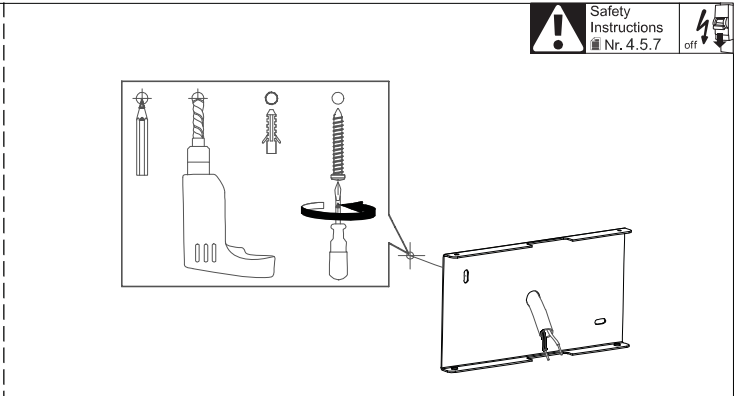
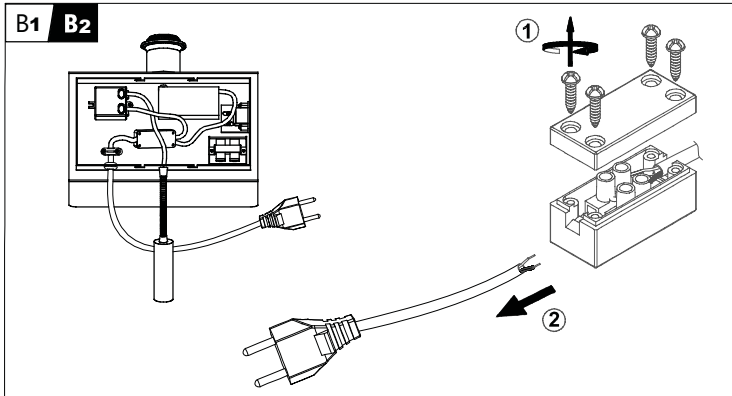
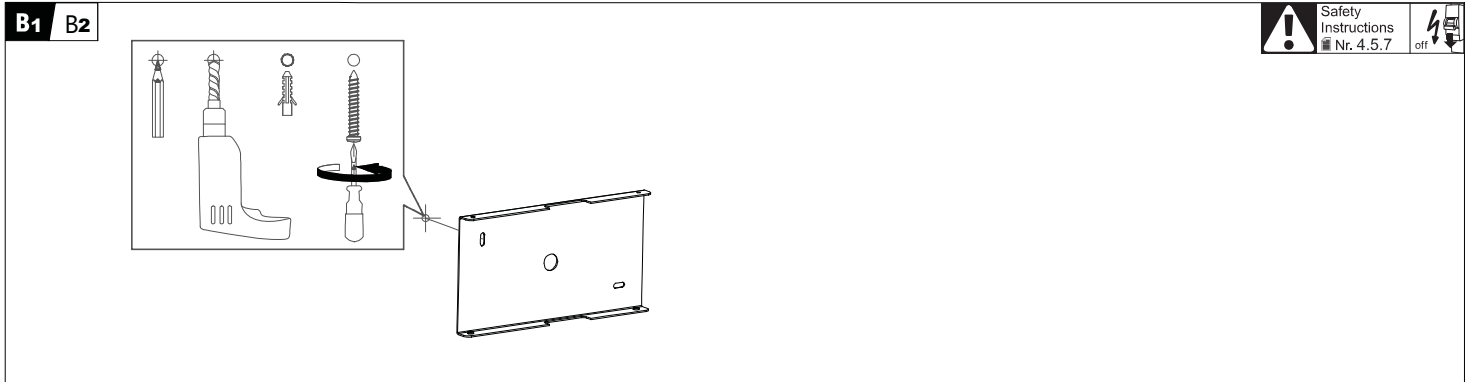
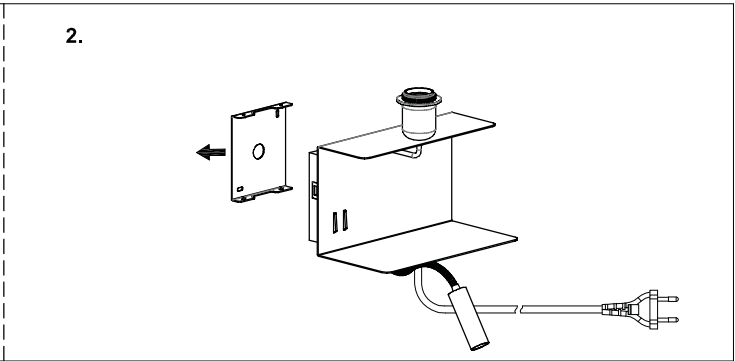
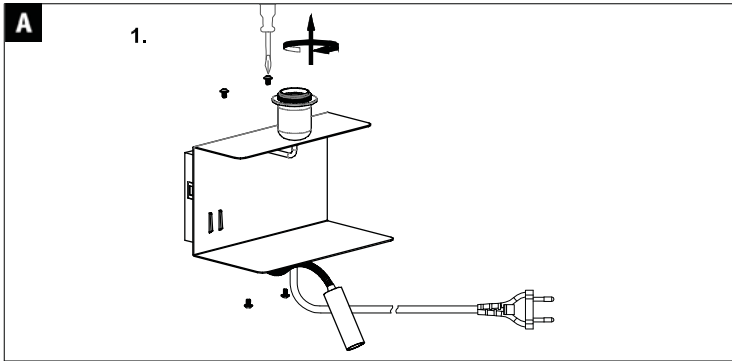
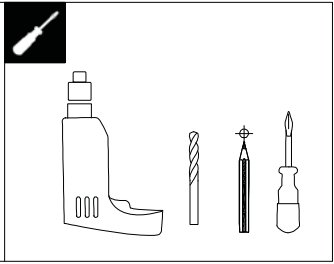
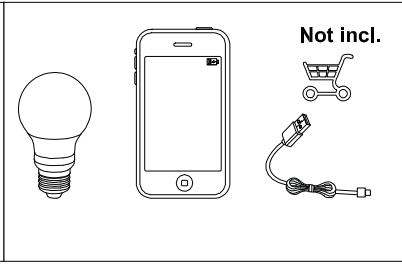
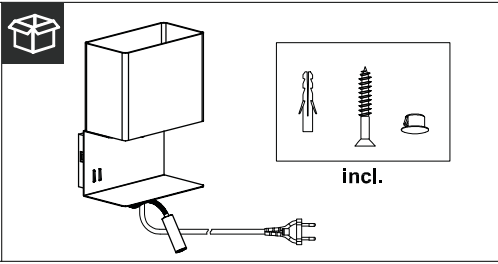
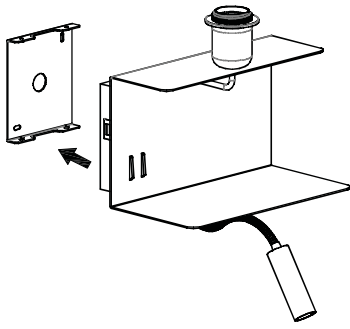
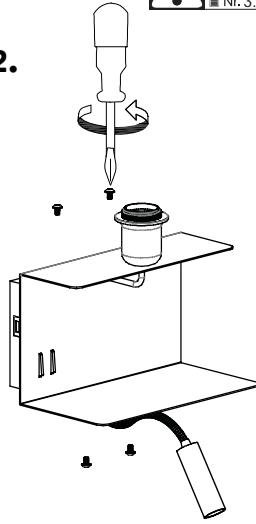
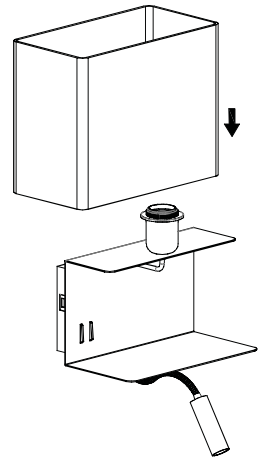
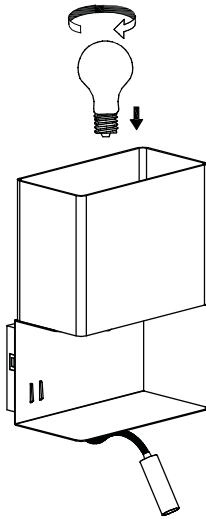
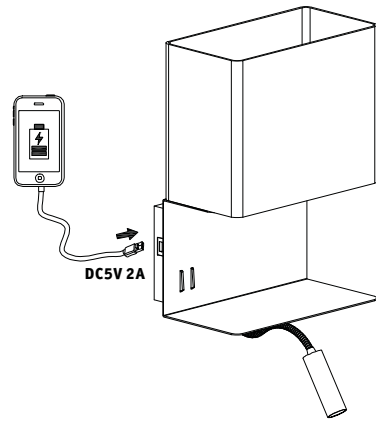


Art.-Nr.: 78913
 (+MA326) PYW 05/19



C**1.**

! Safety Instructions
Nr. 3, 4, 5, 6 **off**

2.**D****E****F****G**