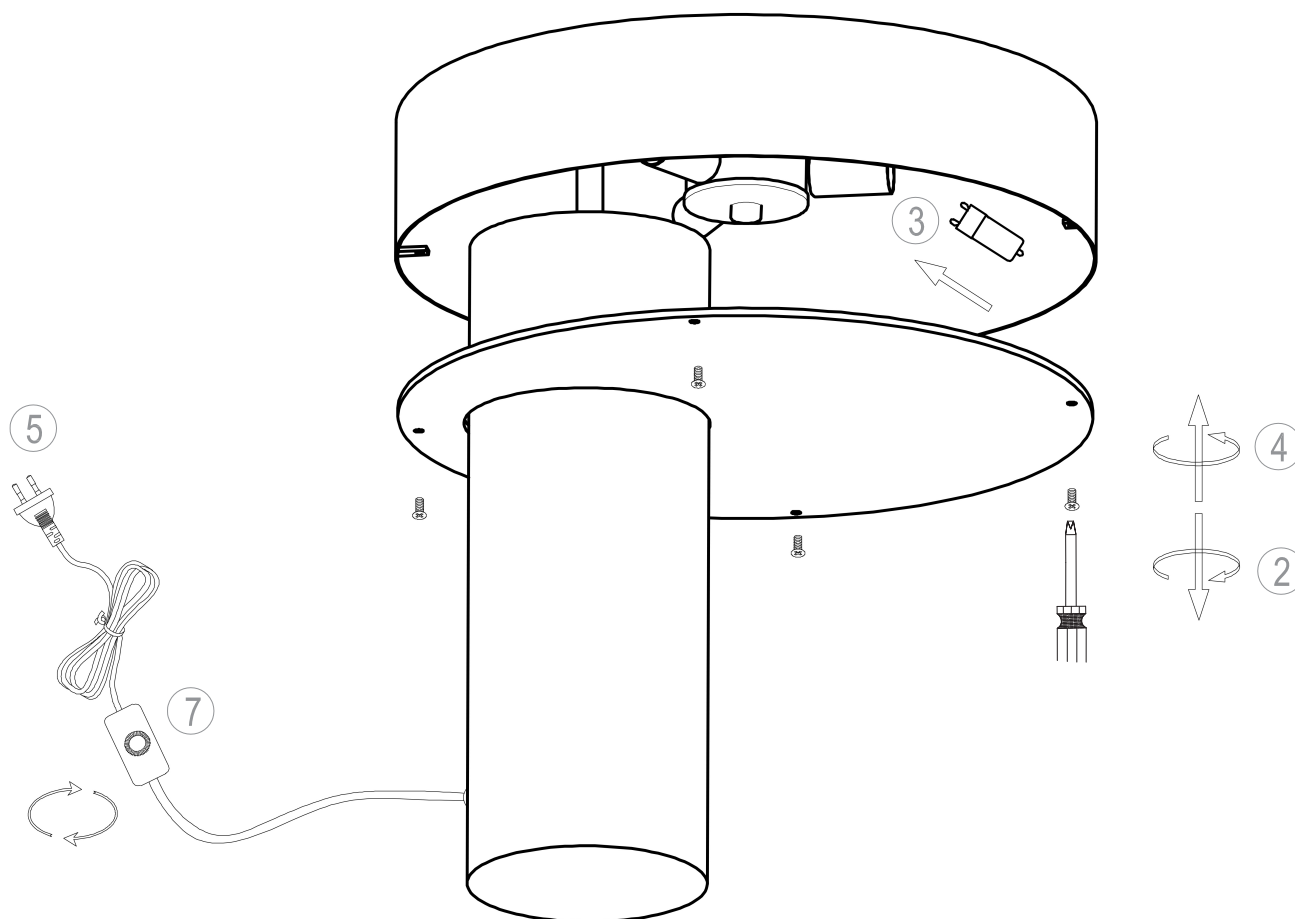
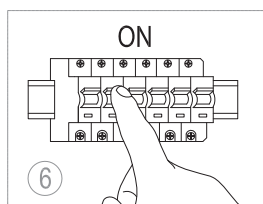
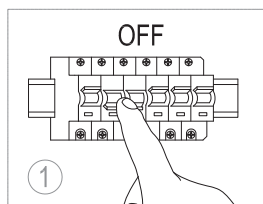


miloox[®]

Model: 1744.321



Imported from Miloox
a brand of Sforzin Illuminazione
Viale dell'industria,21
20037 Paderno Dugnano-Milano-Italy
Made in China
Design Arch. Davide Negri



TYPE: **G9 LED**
1 x MAX 10W
LED
220~240V 50/60HZ
A max : \varnothing 20 mm
B max : 80 mm
www.miloox.com