

OMLED One t1

Minimalistic design

Gentle and soft, a light surface made of printed and hardened glass floats in front of an aluminium bar with a satin finish.

High quality material

Satin-finished clear glass as "light medium" lends the luminaire an almost floating appearance in a space.

Excellent light quality

By way of the pure, clear and very natural light of an OLED we achieve an excellent light quality and a very good colour rendering.

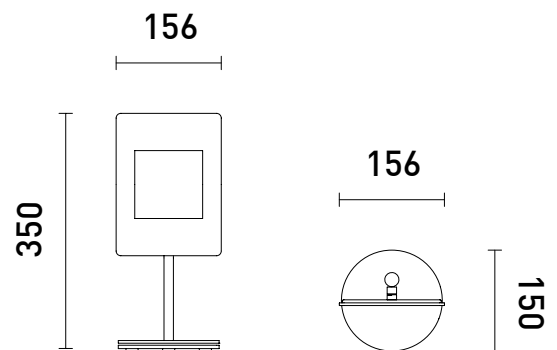
Forward-looking technology

The luminaire's glass case is circuit board and control element in one.



Technical data

Colour variants:	white	Art.No.: 199099
	black	Art.No.: 199100
Dimensions(HxWxØ):	350mm x 156mm x 150mm	
Illuminant material:	Glass, Aluminium	
Stand material:	Steel, anodised Aluminium	
Life time:	30,000 h	
Degree of protection:	IP 20	
Dimmable:	Touchdimmer	
Voltage:	24V DC	
Supply voltage:	220-240 V / 50-60 Hz	
Power consumption:	max. 6W	
Energy efficiency class:	A to A++	



Photometric data

Illuminant:	1x OLED
Colour temperature:	2800 Kelvin
Colour rendering index:	> 80 Ra
Luminous flux:	140 lm
Beam angle:	150°
Lightquality:	UVA & IR free light

