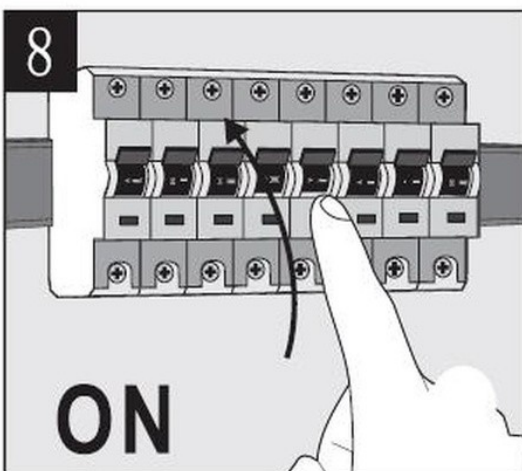
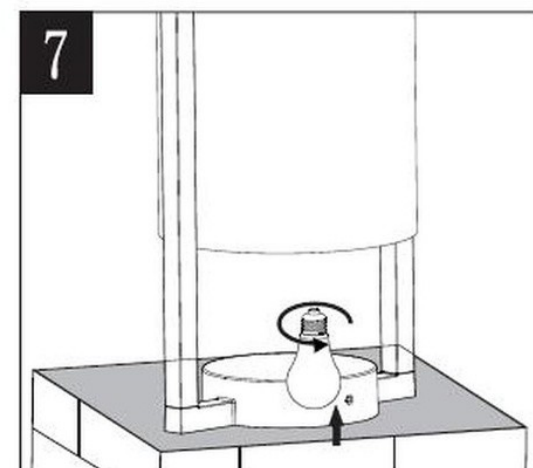
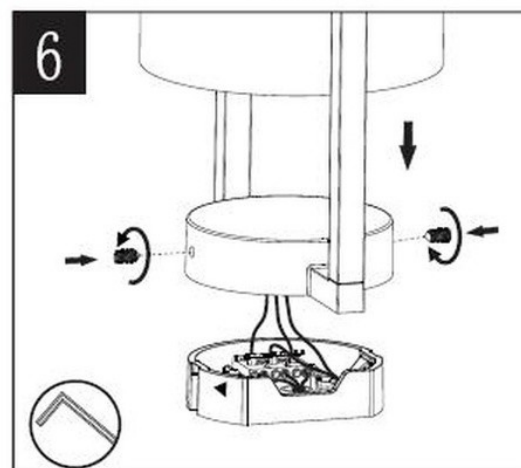
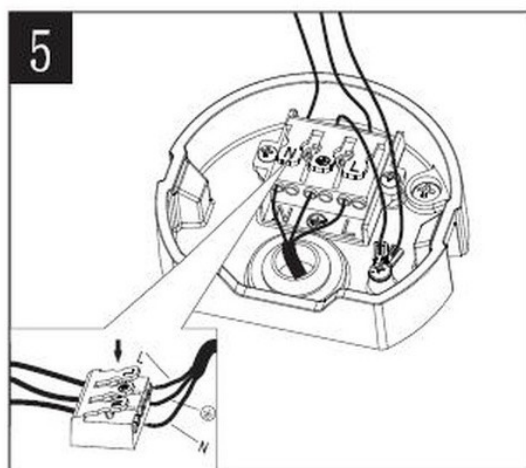
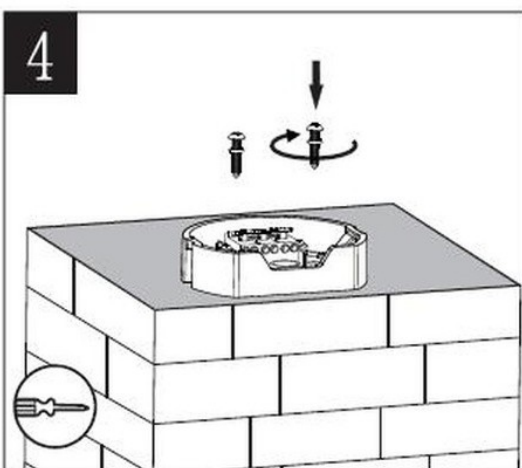
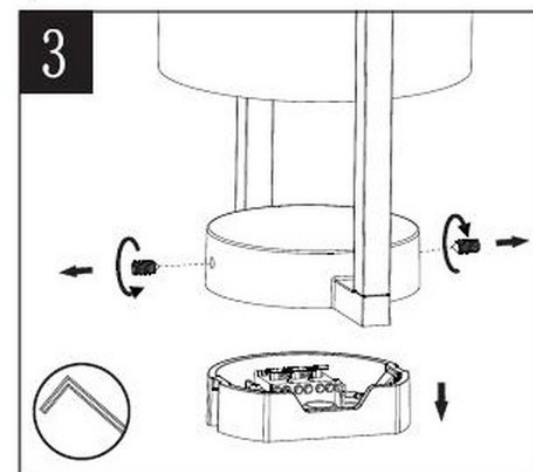
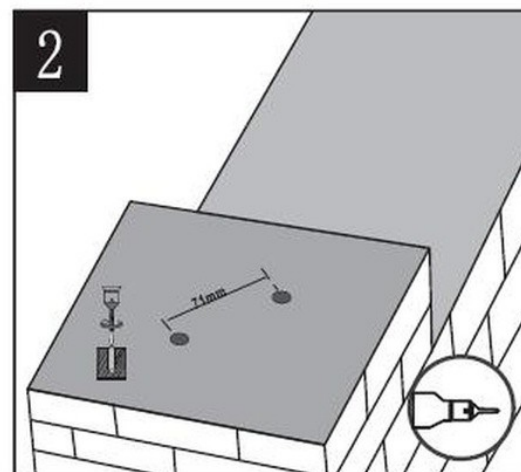
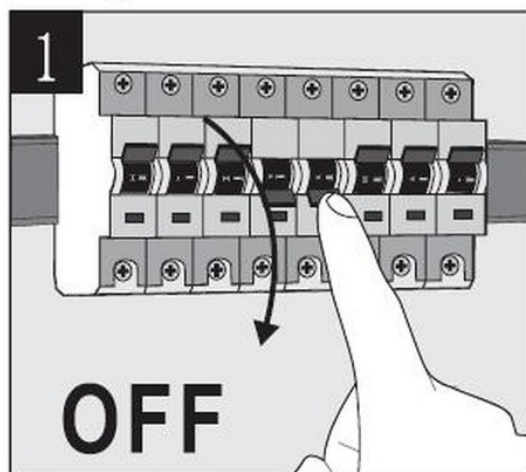


Assembly Instructions / Instrucciones De Montaje



Para mantener el IP, se recomienda conectar mediante manguera redonda de 3 polos.
To maintain the IP, it is recommended to connect using a 3-pole round hose.

Item No.: 6550
E27 1 * MAX 20W LED
100-240V~ 50/60Hz

IP54

m^Δntra