


INSTALLATION INSTRUCTIONS ANG

Advice from a qualified person may be required for installation.

The product can be used outdoors if the IP44 or IP54 symbol is visible on the luminaire, in other cases the product should only be used indoors. The luminaire in which wooden elements were used can be mounted only in heated rooms.

It is recommended to use the YDY 3 x 1.5 mm² power cord in double lagging.

Assembly:

1. Disconnect the power supply.
2. Strip 6mm power cords and route them through a metal cable gland with a grommet.
3. Screw the base to the ground using appropriately selected screws.
4. Connect the power cables to the correspondingly marked terminals on the connector - phase wire (L) brown and neutral wire (N) blue. Figure 1
5. Connect the grounding wire (usually green-yellow) to the protective terminal marked with the symbol on the  metal base. Figure 1

6. Place the glass in the rim with  the matt side down as shown in figure 2.

7. Screw the plastic handles carefully to the rim using the nuts and washers included in the kit so that the glass is fixed. Under one of the nuts put an ear of a green-yellow grounding wire, bolted to the base. Figure 3. ATTENTION! The plastic handles should be screwed in the right direction (see figure 3).

8. Turn the rim clockwise (fig. 4). The housing should be screwed on with sufficient force. The light source used in this luminaire should be replaced only by the manufacturer or his service representative, or a similarly qualified person.

Maintenance:

Maintenance work should be carried out with the power supply disconnected and after waiting for the LED panel to cool down.

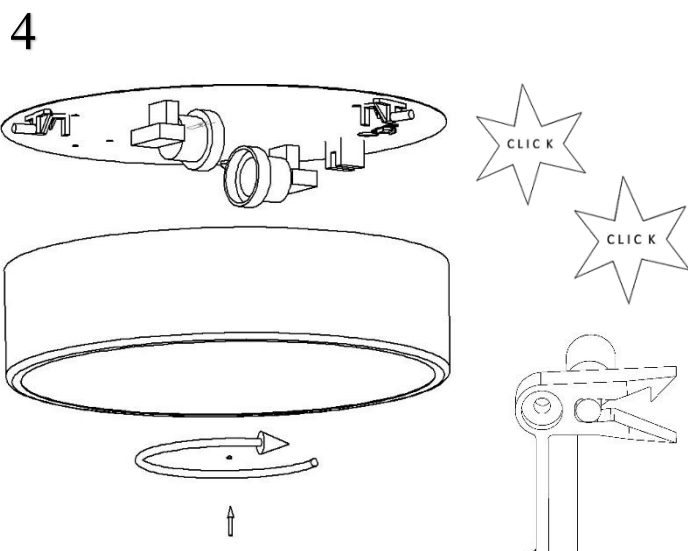
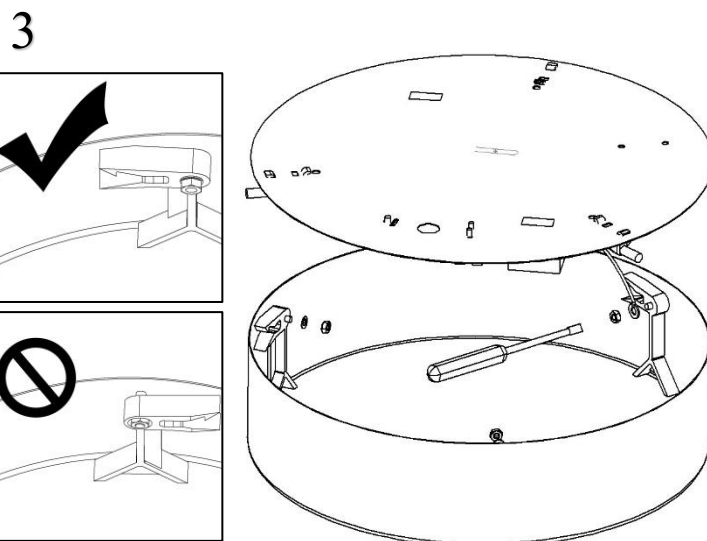
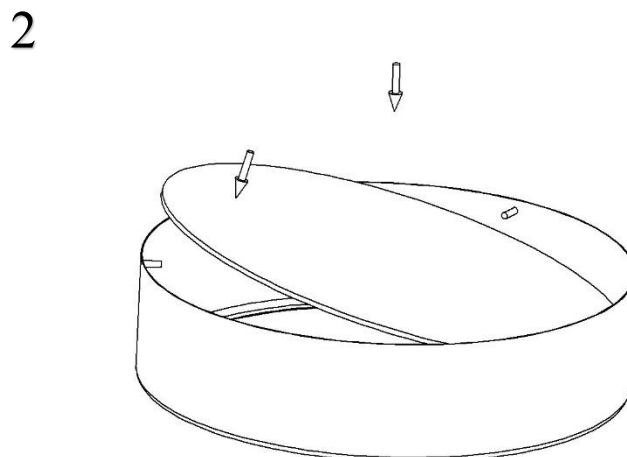
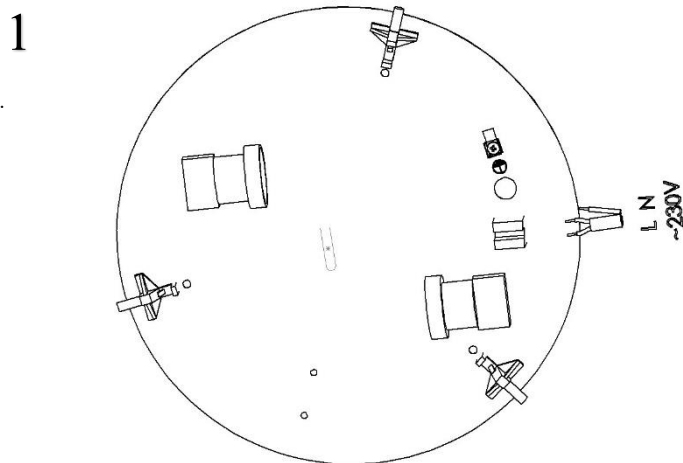
After removing the cover and disconnecting the power supply, clean with a soft cloth.

2-year warranty:

1. The warranty covers a period of 2 years from the date of purchase in Poland and is valid only with the purchase document - receipt or invoice.
2. The warranty does not cover damage caused by electrical surges, lightning strikes and mechanical damage.
3. The warranty is valid only if the fitting was carried out by a person with appropriate electrical qualifications and includes repair or replacement of the product with one free from defects or refund of the amount paid.
4. If a defect is found, the product should be sent to the following address: Temar sp.z o.o. , 39-300 Mielec, ul. 12 investors or return at the point of purchase. The repair should not take longer than 14 business days.
5. The warranty does not exclude, limit or suspend the buyer's rights arising from the provisions on warranty for defects of goods sold.



- selective collection of electrical equipment



--	--

--	--