

# SQUBE ON BASE 1.0

05-May.-2019

**1.0 LED**

LED 6W | 220-240VAC | 50-60Hz | COB 3-step | incl. PS | phase-cut dim  
 CE IP20 0.3m 36° P 90°

white texture	144264W
black texture	144264B

**LIGHT COLOUR**

2700K   >80CRI   350lm	2
3000K   >80CRI   380lm	4
1800-3000K   >80CRI   350lm	9

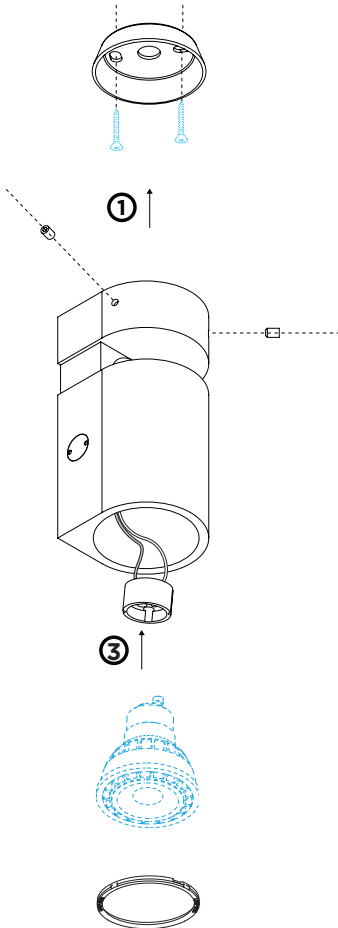
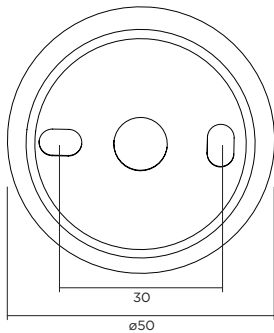
**1.0 PAR16**

PAR16 max. 12W | GU10 | 100-240VAC | 50-60Hz  
 CE IP20 0.9m 36° P 90°

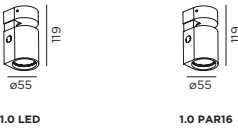
white texture	144220W0
black texture	144220B0

**OPTIONAL**  
 for PAR16 lamps see our catalogue

base plate dimensions



**DIMENSIONS**

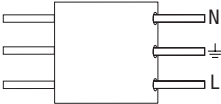


**MOUNTING INSTRUCTION**

- 1 Remove the screws, put the cables through the opening and mount the base on the ceiling.

**POWER CONNECTION**

- 2 Interior: connection: STANDARD version



Mount the fixture again with the screws on the base.

- 3 For PAR16: mount the lamp.

The light source of the integrated LED is not replaceable; When the light source reaches its end of life the whole luminaire shall be replaced.

Caution, risk of electric shock