

NEW WORKS.

Product Fact Sheet - Lighting - Karl-Johan Wall Lamp



Karl-Johan Wall Lamp

Signe Hytte

Inspired by autumn days spent hunting for mushrooms; it is only appropriate to extend the Karl-Johan series into the darkest parts of the home. A simple support in black stained or smoked oak allows the curved glass form to bounce a soft light around the room. The Karl-Johan Wall Lamp demands you to curl up with a book, spending those growing evenings beside a comforting illumination.

About the designer Signe Hytte

Signe is a young danish designer. She grew up among Scandinavian design icons, and that heritage serves as a foundation for her work, where she also aims to spice things up with inspiration from other places in the world.

Simplicity is of course a core theme for Signe, when you think of her background, but attention to details is just as important for her.

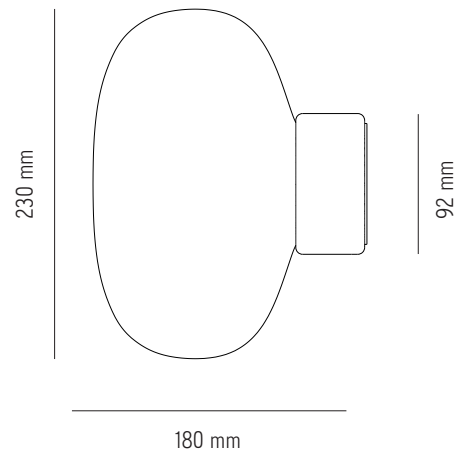
Ean No	Item No	Variation
5712826203200	20320	Smoked Oak w. White Opal Glass
5712826203217	20321	Black Stained Oak w. Smoked Glass

NEW WORKS.

Product Fact Sheet - Lighting - Karl-Johan Wall Lamp

Specifications

Product Name	Karl-Johan Wall Lamp
Designer	Signe Hytte
Year	2019
Category	Lighting
Type	Wall Lamp
Material	Glass shade w. wooden base
Colour/Variant	Smoked Oak w. White Opal Glass/ Black Stained Oak w. Smoked Glass
Product Dimensions	Ø: 230 x D: 180 mm
Packaging Dimensions	H: 310 x W: 310 x D: 310 mm
Cord	Hardwired
Weight	0,9 kg
Weight (incl. Packaging)	1,3 kg
Light Source	E14, Max 25W / LED Max 7W 220-240V~ 50/60Hz
Bulb	Not Included
Certification	CE, Class II, IP20
County of origin	China
Master packaging	1



Cleaning & Care Guide

Turn off the electricity before cleaning the lamp. Wipe the glass shade with a soft dry or moist cloth. Do not use any abrasive cleaning tools, and never use strong cleaning agents such as household glass cleaner, white spirit, turpentine.

Safety Precautions

The lamp is only intended for indoor use, and consult a professionally qualified electrician if any doubt. Only use approved light bulb and following guidance - 220-240V~ 50/60Hz, E14, Max 25W / LED Max 7W. The light bulb and lamp exterior gets hot after prolonged use.



NEW WORKS.

Product Fact Sheet - Lighting - Karl-Johan Wall Lamp

Variation

Smoked Oak w. White Opal Glass



Black Stained Oak w. Smoked Glass

