

LIGHT.POINT.COM

# EDGE Collection

With its sculptural conical silhouette, Edge Round pendant brings both upward and downward light, creating a refined and atmospheric presence in any space. The elegant, high-quality finish enhances its architectural form, making it a natural centerpiece above dining tables or in meeting rooms. A newly refined compact ceiling base allows for more flexible installation, while freely mounted cables let you adjust the hanging position to suit your interior.



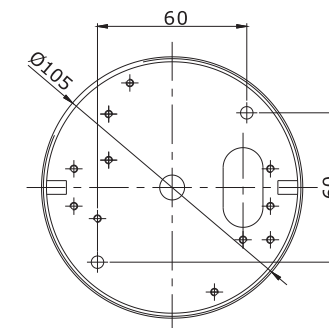
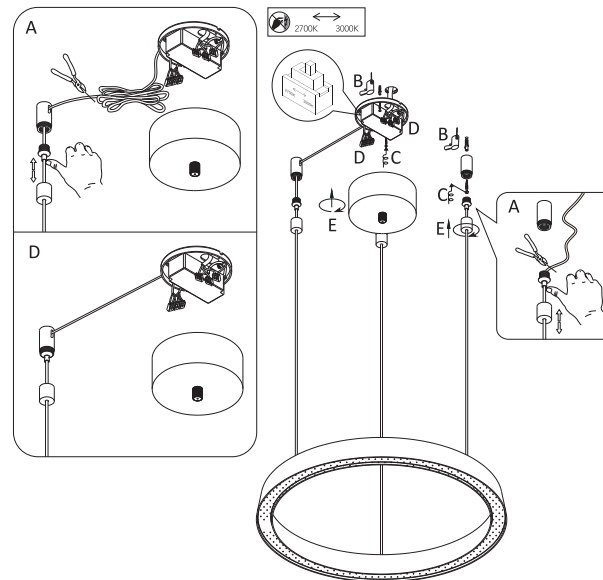
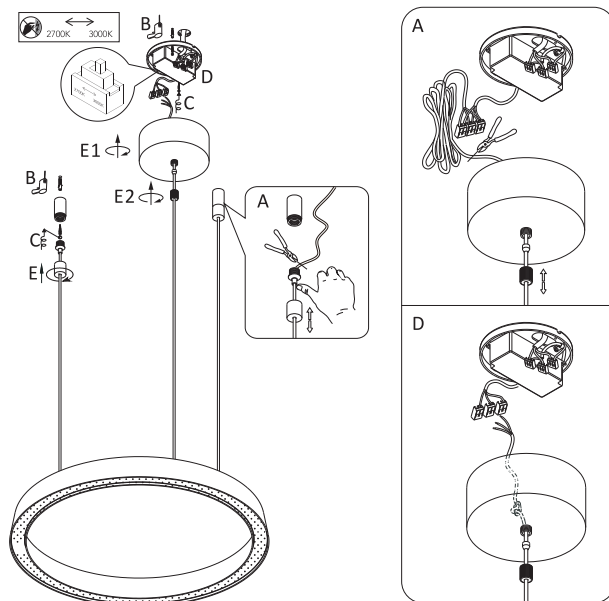
## EDGE ROUND

### User Instructions

LIGHT•POINT  
COPENHAGEN



**NOTE:** The ceiling lamp base can be used as installation box.

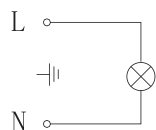


## Installation instructions

- Before installing, make sure the power supply is switched off.
- Follow the steps as the figure for installation.
  - Loose the adjuster and adjust the cable to the length what you need. Then tighten the adjuster. If there is some extra cable in the base, cut it and re-connect the cable as the previous way.
  - After drilling, pull out the wires.
  - Fix the bracket to the ceiling with screws.
  - Connect the wires to the terminal block.
  - Fix the fixture to the mounting bracket.
- After finishing every step, tighten the screws, have the fixture fixed, and then connect the power supply.

## General use

- The product is designed for indoor use only.
- The lamp gets hot after prolonged use, therefore, do not cover the product.



## Cleaning instructions

- Before cleaning, ensure that the power supply is switched off.
- Wipe surface of lamp shade with a soft cloth.
- Do not use any abrasive cleaning tools such as steel wool, scouring sponges or stiff brushes.
- Never use strong cleaning agents such as white spirit, household glass cleaner or cellulose thinners.

## Safety precautions

- The appliance should be installed, connected and tested by qualified electrician and in accordance with local regulations.
- Turn off the power supply before installation or maintenance of the lamp, and make sure that the cables are not squeezed or damaged by sharp edges during installation.
- The lamp should not be covered by insulation blankets or similar materials.
- Always turn off the main power supply before adjusting the colour temperature (2700K - 3000K) using the built-in switch or installing the luminaire.
- Using the colour temperature switch while powered may cause damage in the luminaire.

## International warranty

Your product has gone through rigorous testing in order to live up to the highest quality standards. It therefore carries a 7-year warranty from the date of the original retail purchase receipt, covering defects in materials and workmanship when used normally in accordance with the published LIGHT-POINT guidelines.

These guidelines include but are not limited to information contained in technical specifications, safety instructions and quick start guides. LIGHT-POINT is not responsible for damage arising from failure to follow instructions relating to the use of the product.

LIGHT-POINT is a registered trademark of NORDIC LIVING GROUP.

For more information, please visit [LIGHT-POINT.COM](http://LIGHT-POINT.COM)

