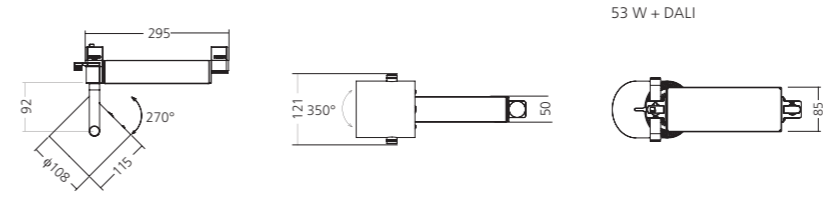
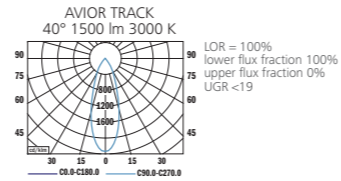


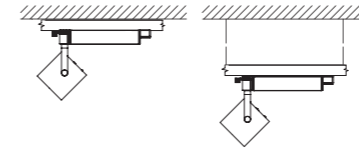
AVIOR
FACET
LED



PHOTOMETRY



MOUNTING

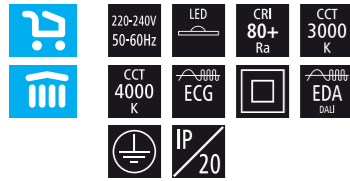


TYPE	NET LUMEN OUTPUT (at Ta = 25 °C) (lm)	POWER CONSUMPTION (W)	SYSTEM EFFICACY (lm/W)	COLOUR RENDERING INDEX CRI (Ra)	CORRELATED COLOUR TEMPERATURE CCT (K)	BEAM ANGLE	WEIGHT (kg)	ORDER CODE					
								ECG		EDA			
AVIOR TRACK	1500	12	125	80+	3000	24°/40°/60°	1.8	716018	716005	716034	716017	716006	716033
AVIOR TRACK	1550	12	129	80+	4000	24°/40°/60°	1.8	716020	716007	716036	716019	716008	716035
AVIOR TRACK	2400	19	126	80+	3000	24°/40°/60°	1.8	716022	716011	716038	716021	716012	716037
AVIOR TRACK	2500	19	132	80+	4000	24°/40°/60°	1.8	716024	716013	716040	716023	716014	716039
AVIOR TRACK	4000	35	114	80+	3000	24°/40°/60°	1.8	716026	716009	716042	716025	716010	716041
AVIOR TRACK	4100	35	117	80+	4000	24°/40°/60°	1.8	716028	716015	716044	716027	716016	716043
AVIOR TRACK	5100	47	109	80+	3000	24°/40°/60°	1.8	716030	716003	716046	716029	716004	716045
AVIOR TRACK	5200	47	111	80+	4000	24°/40°/60°	1.8	716032	716001	716048	716031	716002	716047

Luminous flux tolerance +/- 10%

Exchangeable reflector 24°	901021
Exchangeable reflector 40°	901003
Exchangeable reflector 60°	901004

Avior Track



EN

Mounting
Suspended or ceiling surfaced lighting track system - suitable for ONETRACK (TRS)

Optical system
Facet reflector (FRE)

Wiring
Electronic control gear FIX/DALI (ECG/EDA)

Materials
Housing: die-cast aluminium + sheet steel
Reflector: facet anodised aluminium
Cover: glass

Surface finish
Housing: white RAL 9003 (W03)

Accessories
Various types of connections and suspension equipment (ONETRACK)
Exchangeable reflectors

Service lifetime
50,000 hours/L80/B10 (ta 25°C)

Ambient temperature
From -20 °C to +35 °C

DE

Montage
Hängende oder an der Decke angesetzte Stromschienenmontage - eignet sich für ONETRACK (TRS)

Optisches System
Facettierter Reflektor (FRE)

Vorschaltgerät
Elektronisches Vorschaltgerät FIX/DALI (ECG/EDA)

Material
Körper: Aluminiumdruckguss + Stahlblech
Reflektor: facettiertes eloxiertes Aluminium
Abdeckung: Glas

Oberflächenveredelung
Körper: Weiss RAL 9003 (W03)

Zubehör
Verschiedene Verbindungs- und Aufhängevorrichtungen (ONETRACK)
Austauschbare Reflektoren

Lebensdauer
50,000 Stunden/L80/B10 (ta 25°C)

Umgebungstemperatur
Von -20 °C bis +35 °C

FR

Montage
Système d'éclairage à rail installé suspendu ou apparent - adapté au rail ONETRACK (TRS)

Système optique
Facetté réflecteur (FRE)

Équipement électrique
Ballast électronique FIX/DALI (ECG/EDA)

Matériels
Corps: aluminium moulé sous pression + tôle d'acier
Réflecteur: aluminium à l'aspect anodisé
Couvercle: verre

Finition de surface
Corps: blanc RAL 9003 (W03)

Accessoires
Différents types de connexions et d'équipement de suspensions (ONETRACK)
Réflecteurs échangeables

Durée de vie utile
50,000 heures/L80/B10 (ta 25°C)

Température ambiante
De -20 °C à +35 °C

SK

Montáž
Závěsný alebo prísadený kolajnicový systém - určené pre ONETRACK (TRS)

Optický systém
Fazetový reflektor (FRE)

Elektrická výbava
Elektronický predradník FIX/DALI (ECG/EDA)

Material
Teleso: hliníkový odliatok + oceľový plech
Reflektor: anodizovaný fazetový hliník
Kryt: sklo

Povrchová úprava
Teleso: biela RAL 9003 (W03)

Príslušenstvo
Rôzne typy spojok a závesov (ONETRACK)
Vymeniteľné reflektory

Servisná životnosť
50,000 hodín/L80/B10 (ta 25°C)

Teplota okolia
Od -20 °C do +35 °C

ES

Montaje
Sistema riel luminoso suspendido o sobrepuesto - adecuado para ONETRACK (TRS)

Sistema óptico
Reflector facetado (FRE)

Cableado
Equipo de control electrónico FIX/DALI (ECG/EDA)

Material
Cuerpo: aluminio moldeado + lámina de acero
Reflector: aluminio anodizado facetado
Cubierta: cristal

Tratamiento de la superficie
Cuerpo: blanco RAL 9003 (W03)

Accesorios
Varios tipos de conexiones y equipos de suspensión (ONETRACK)
Refletores intercambiables

Vida útil
50,000 horas/L80/B10 (ta 25°C)

Temperatura ambiente
Desde -20 °C a +35 °C

IT

Installazione
Sistema di illuminazione a binari, a sospensione o a plafone - adatto per ONETRACK (TRS)

Sistema ottico
Riflettore sfaccettato (FRE)

Cablaggio
Ballast elettronico FIX/DALI (ECG/EDA)

Materiali
Corpo: pressofusione di alluminio + lamina d'acciaio
Riflettore: alluminio anodizzato sfaccettato
Copertura: vetro

Finitura
Corpo: bianco RAL 9003 (W03)

Accessori
Diversi tipi connessioni e accessori per la sospensione (ONETRACK)
Riflettori intercambiabili

Durata di vita
50,000 ore/L80/B10 (ta 25°C)

Temperatura d'ambiente
Da -20 °C a +35 °C

RU

Установка
Подвесная или накладная потолочная трековая система освещения - подходит для ONETRACK (TRS)

Оптическая система
Отражатель: рифленый (FRE)

Электрическое оснащение
Электронный аппарат FIX/DALI (ECG/EDA)

Материал
Корпус: литой алюминий + листовая сталь
Отражатель: рифленый анодированный алюминий
Крышка: стекло

Отделка поверхности
Корпус: белый RAL 9003 (W03)

Аксессуары
Разные типы соединений и подвесного оборудования (ONETRACK)
Сменные отражатели

Срок службы
50,000 часов/L80/B10 (ta 25°C)

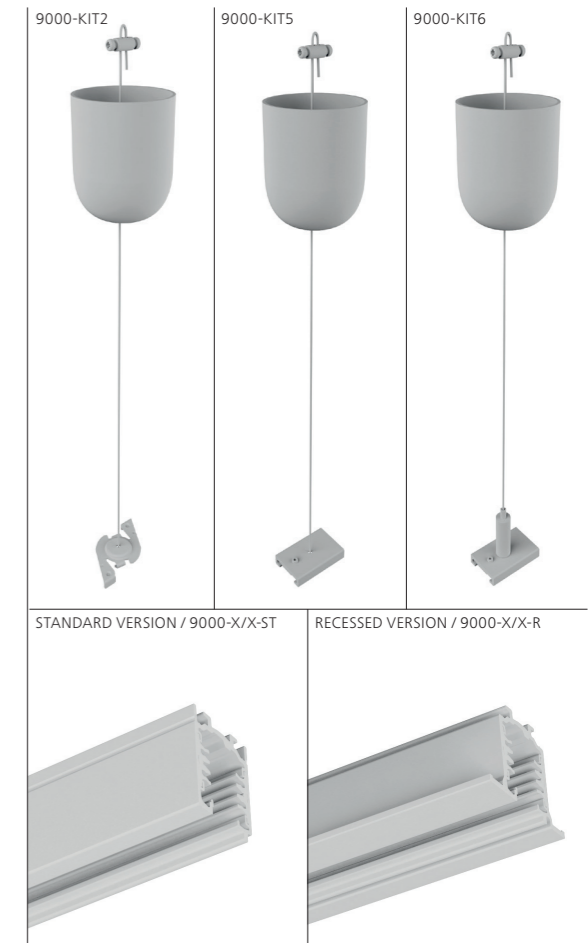
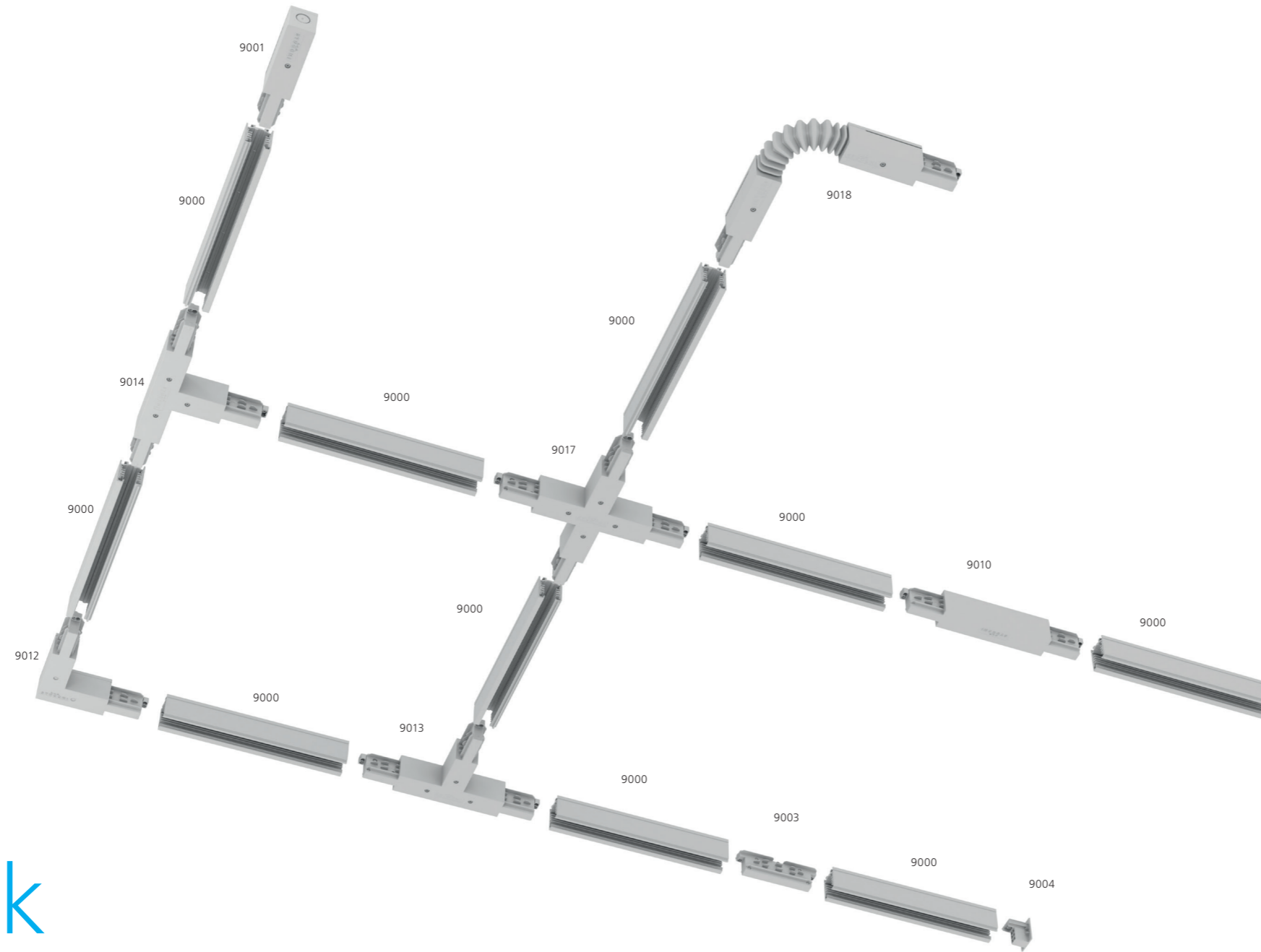
Температура окружающей среды
От -20 °C до +35 °C



THE MANUFACTURER CONTINUES TO DEVELOP PRODUCTS THROUGHOUT THEIR LIFETIME. THEREFORE, THE COMPANY RESERVES THE RIGHT TO MODIFY MATERIALS, COMPONENTS, AND TECHNICAL PARAMETERS WITHOUT NOTICE. LUMINOUS OUTPUT AND ELECTRICAL LOAD HAVE AN INITIAL TOLERANCE OF +/- 10 % FROM NOMINAL. FAILURE OF ONE LED LIGHT POINT WITHIN A LUMINAIRE DOES NOT IMPAIR FUNCTIONAL PERFORMANCE AND SO IS NOT CLASSIFIED AS REASON FOR COMPLAINT.

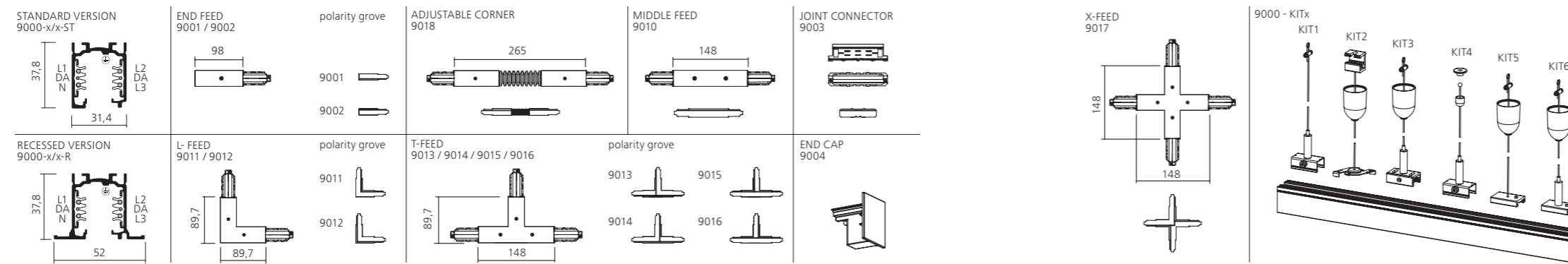
COMMERCIAL LED LUMINAIRES

**TRACK SYSTEM
ONETRACK**



LED LUMINAIRES

Onetrack



TYPE	DESCRIPTION	ORDER CODE
9000-1/W-ST	Track tube - 1 m / white - standard version	910001
9000-2/W-ST	Track tube - 2 m / white - standard version	910002
9000-3/W-ST	Track tube - 3 m / white - standard version	910003
9000-4/W-ST	Track tube - 4 m / white - standard version	910004
9000-1/W-R	Track tube - 1 m / white - recessed version	910005
9000-2/W-R	Track tube - 2 m / white - recessed version	910006
9000-3/W-R	Track tube - 3 m / white - recessed version	910007
9000-4/W-R	Track tube - 4 m / white - recessed version	910008
9000-KIT1-1,5	Suspension kit 1 - 1,5 m	910024
9000-KIT2-1,5-W	Suspension kit 2 - 1,5 m - white	910025
9000-KIT3-1,5-W	Suspension kit 3 - 1,5 m - white	910026
9000-KIT4-1,5	Suspension kit 4 - 1,5 m	910027
9000-KIT5-1,5-W	Suspension kit 5 - 1,5 m - white	910028
9000-KIT6-1,5-W	Suspension kit 6 - 1,5 m - white	910029
9001/W	End feed 1 / white	910009
9002/W	End feed 2 / white	910010
9003/W	Joint connector / white	910011
9003/W-M	Mechanical joint connector / white	910012
9004/W	End cap + locking screw / white	910013
9004-R/W	Recessed end cap + locking screw / white	910014
9010/W	Middle feed / white	910015
9011/W	Internal L-feed / white	910016
9012/W	External L-feed / white	910017
9013/W	External T-feed 1 / white	910018
9014/W	External T-feed 2 / white	910019
9015/W	External T-feed 3 / white	910020
9016/W	External T-feed 4 / white	910021
9017/W	X-feed / white	910022
9018/W	Adjustable corner / white	910023