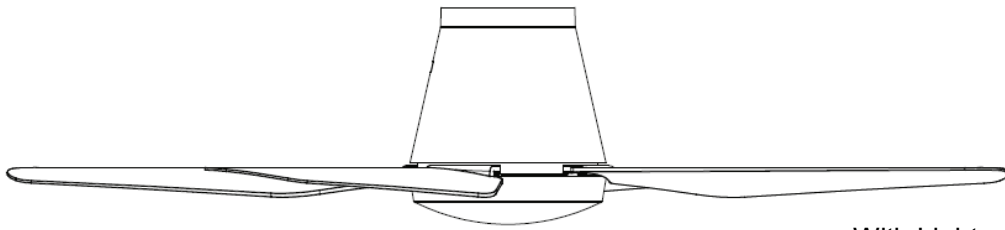


Without Light



With Light

# **LUCCI AIRFUSION ARIA CTC CEILING FAN**

- **INSTALLATION**
- **OPERATION**
- **MAINTENANCE**
- **WARRANTY INFORMATION**

## **CAUTION**

**READ INSTRUCTIONS CAREFULLY FOR SAFE  
INSTALLATION AND FAN OPERATION.**

## CONTENTS

<b>GB</b>	Installation instruction manual .....	2
<b>D</b>	Installationsanleitung .....	14
<b>F</b>	Guide d'installation.....	28
<b>E</b>	Manual de instrucciones de instalación.....	42
<b>I</b>	Manuale delle istruzioni di installazione.....	56
<b>NL</b>	Installatiehandleiding.....	69
<b>EL</b>	Εγχειρίδιο οδηγιών εγκατάστασης .....	82

### Contact:

#### Beacon International Ltd

Hong Kong Head Office: Room 05, 18/F, Kimberland Center, 55 Wing Hong Street, Cheung Sha Wan Kowloon, Hong Kong

Tel +852 34915904 Fax +852 34915917

China showroom / Office: 11/FI, Guzhen Lighting Building B, Mid Zhongxing Road, Guzhen, Zhongshan, GuangDong, China.

Tel: +86 760 8986 6388 Fax: +86 760 8986 6380

info@beaconinternational.com

www.beaconinternational.com

#### Beacon Lighting Europe GmbH

Campus Fichtenhain 42, 47807 Krefeld, Germany

TEL +49 (2151) 325 82 39 FAX +49 (2151) 325 70 65

sales@beaconlighting.eu

www.beaconlighting.eu



**GB****THANK YOU FOR PURCHASING**

Thank you for purchasing this quality Lucci product. To ensure correct function and safety, please read and follow all instructions carefully before assembly, installation and use of this ceiling fan. Please keep instructions for future reference.

**SAFETY PRECAUTIONS**

1. In Europe: This appliance can be used by children aged from 8 years and above and persons with reduced physical, sensory or mental capabilities or lack of experience and knowledge if they have been given supervision or instruction concerning the use of the appliance in a safe way and understand the hazards involved. Cleaning and maintenance shall not be undertaken by children without supervision.
2. In Australia: The appliance is not intended for use by persons (including children) with reduced physical, sensory or mental capabilities, or lack of experience and knowledge, unless they have been given supervision or instruction concerning the use of the appliance by a person responsible for their safety.
3. Children should be supervised to ensure that they do not play with the appliance.
4. An all-pole disconnection switch must be incorporated into the fixed wiring, in accordance with local wiring rules.

**IN AUSTRALIA****WARNING:****FOR SAFE USE OF THIS FAN AN ALL-POLE DISCONNECTION****MUST BE INCORPORATED INTO THE FIXED WIRING IN****ACCORDANCE WITH THE WIRING RULES.**

As outline in clause 7.12.2 of AS/NZS 60335-1 for meeting the minimum electrical safety of this standard.

Please note warranty will be void if installation is without a means for an all-pole disconnection incorporated in the fixed wiring in accordance with the wiring rules.



Example: If a fan is connected to a circuit that can be isolated via an all-pole safety switch at the switchboard, then this is considered to be an all-pole disconnection to the ceiling fan electrical circuit, meeting the requirements of clause 7.12.2 of AS/NZS 60335.1.

**A single-pole switch on the active of the receiver input of remote control must also be included in the wiring, and located the same room as the ceiling fan.**



5. Do not dispose of electrical appliances as unsorted municipal waste, use separate collection facilities. Contact your local government for information regarding the collection systems available. If electrical appliances are disposed of in landfills or dumps, hazardous substances can leak into the ground water and get into the food chain, damaging your health and well-being.
6. The structure to which the fan is to be mounted must be capable of supporting a weight of 30kg.
7. The fan should be mounted so that the blades are at least 2.3 m above the floor in Europe or 2.1 m above the floor in Australia.
8. This fan is suitable for indoor, alfresco and coastal areas where the fan is fully undercover with a minimum of 1 wall. This fan is not waterproof. When installed in an alfresco or coastal area, the ceiling fan must be positioned in a location protected from water, wind and dust. Exposure to these elements will void the warranty. Mounting the fan in a situation where it is subject to water or moisture is dangerous and may increase the risk of damage, injury or electrical shock and will void the warranty.
9. Must be assembled and installed by a licensed electrician.
10. WARNING: If unusual wobbling or oscillating movement is observed, immediately stop using the ceiling fan and contact the manufacturer, its service agent or suitably qualified persons.
11. The replacement of parts of the safety suspension system device shall be performed by the manufacturer, its service agent or suitably qualified persons.
12. The fixing means for attachment to the ceiling such as hooks or other devices shall be fixed with a sufficient strength to withstand 4 times the weight of the ceiling fan; that the mounting of the suspension system shall be performed by the manufacturer, its service agent or suitably qualified persons.



## PARTS LIST

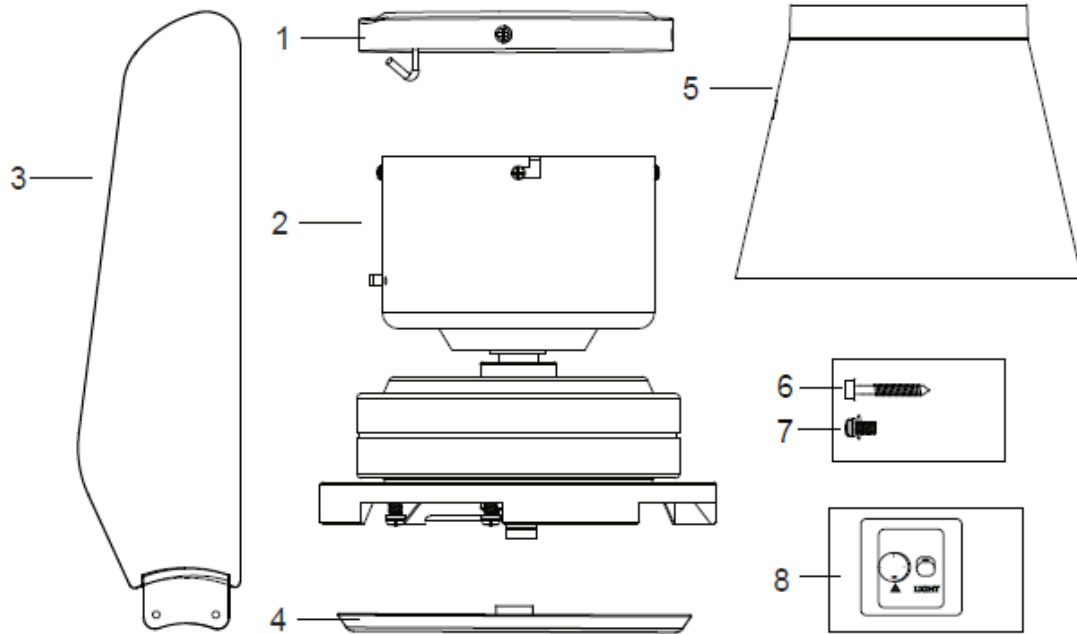
- Unpack your ceiling fan carefully. Remove all parts and hardware.
- Lay out all the components on a smooth surface and make sure there are no components missing before assembling. If parts are missing, return the complete product to the place of purchase for inspection or replacement.
- Check whether the ceiling fan has been damaged during transport. Do not operate/install any product which appears damaged in any way. Return the complete product to the place of purchase for inspection, repair or replacement.
- Examine all parts, you should have the following list and Fig.1:

Fan with wall controller (no light kit) (SKU# 212999 & 213000)		Fan with remote controller (with light kit) (SKU# 213001 & 213002)	
1	Mounting bracket x 1	1	Mounting bracket x 1
2	Motor assembly x 1	2	Motor assembly x 1
3	Blades x 4	3	Blades x 4
4	Bottom motor cover x 1	4	LED light kit x 1
5	Motor housing cover x 1	5	Motor housing cover x 1
6	Mounting screws x 4	6	Mounting screws x 4
7	Spare screw for fan blade x 1	7	Spare screw for fan blade x 1
8	Wall switch x 1 set	8	Remote Receiver and Remote x 1 set



This fan is suitable for indoor, alfresco and coastal areas where the fan is fully undercover with a minimum of 1 walls. This fan is not waterproof. When installed in an alfresco or coastal area, the ceiling fan must be positioned in a location protected from water, wind and dust. Exposure to these elements will void the warranty. Mounting the fan in a situation where it is subject to water or moisture is dangerous.

Fan with wall controller (no light kit) SKU# 212999 & 213000



Fan with remote controller (with light kit) SKU# 213001 & 213002

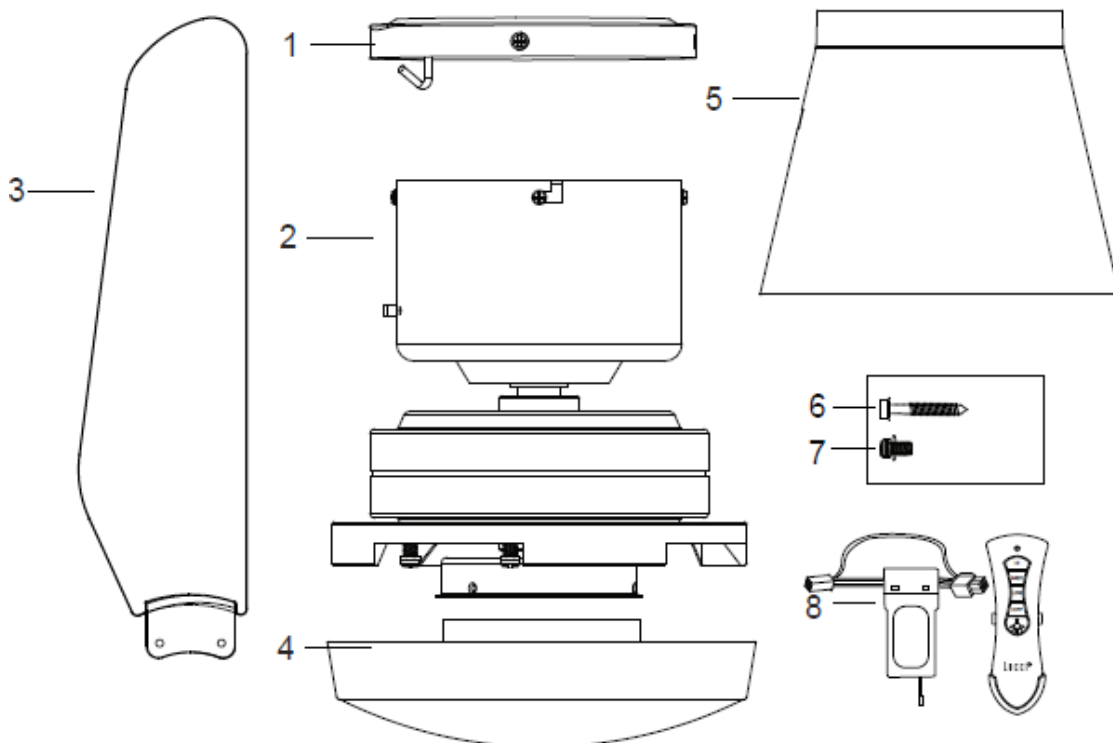


Fig. 1

## INSTALLING THE MOUNTING BRACKET

- The ceiling fan must be installed in a location so that the blades are spaced 300mm from the tip of the blade to the nearest objects or walls.
- Install the hanging bracket to the ceiling joist or structure that is capable of carrying a load of at least 20kg, with the 4 long screws provided. Ensure at least 30mm of the screw is threaded into the support. (Fig. 2)

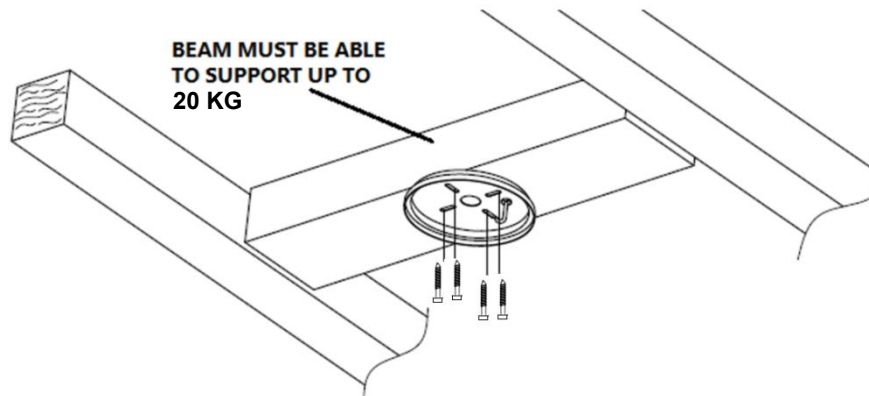


Fig. 2

**NOTE:** The bracket screws provided are for use with wooden structures only. For structures other than wood, the appropriate screw type **MUST** be used. Ensure the screws used are suitable for the mounting surface and the surrounding environment.

## ANGLED CEILING INSTALLATION

This fan hanging system **DOES NOT** support a degree angled ceiling installation.

## HANGING THE FAN TO MOTOR ASSEMBLY

- Install the motor housing (1) onto the motor assembly. (Fig.3)
- Lift the fan assembly up to the mounting bracket. Hang the fan assembly onto the J-hook (2) of the mounting bracket. (Fig.4)
- Complete the electrical wiring according to the 'ELECTRICAL WIRING DIAGRAM' section below.

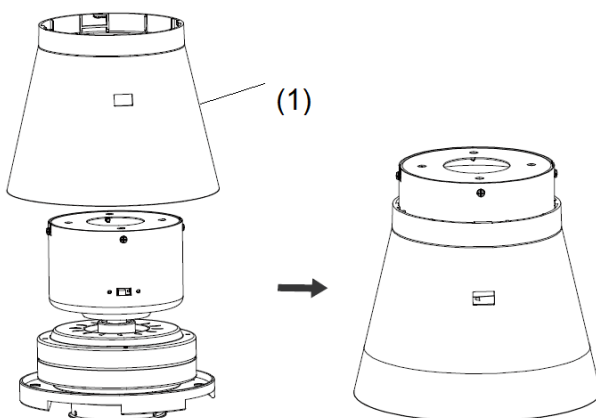


Fig. 3

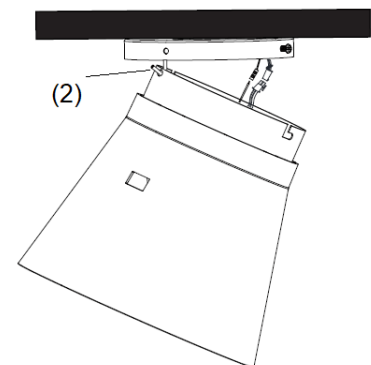


Fig. 4



## ELECTRICAL WIRING THE FAN

**WARNING:** FOR YOUR SAFETY ALL ELECTRICAL CONNECTIONS MUST BE UNDERTAKEN BY A LICENSED ELECTRICIAN.

**NOTE:** AN ADDITIONAL ALL POLE DISCONNECTION SWITCH MUST BE INCLUDED IN THE FIXED WIRING.

**NOTE:** Wiring diagram includes the light kit wiring. The light wiring diagram and switch is omitted when no light kit is used with the ceiling fan.

**MODELS WITH WALL CONTROLLER WIRING DIAGRAM (Fig.5):**

- Make the wire connection L, N, and Earth to the mounting bracket terminal block as shown the diagram below in Fig. 5. Note: Ignore the Light kit wiring, as this model does not have a light kit.
- Plug the quick connectors from the fan and the mounting bracket together and ensure they lock.

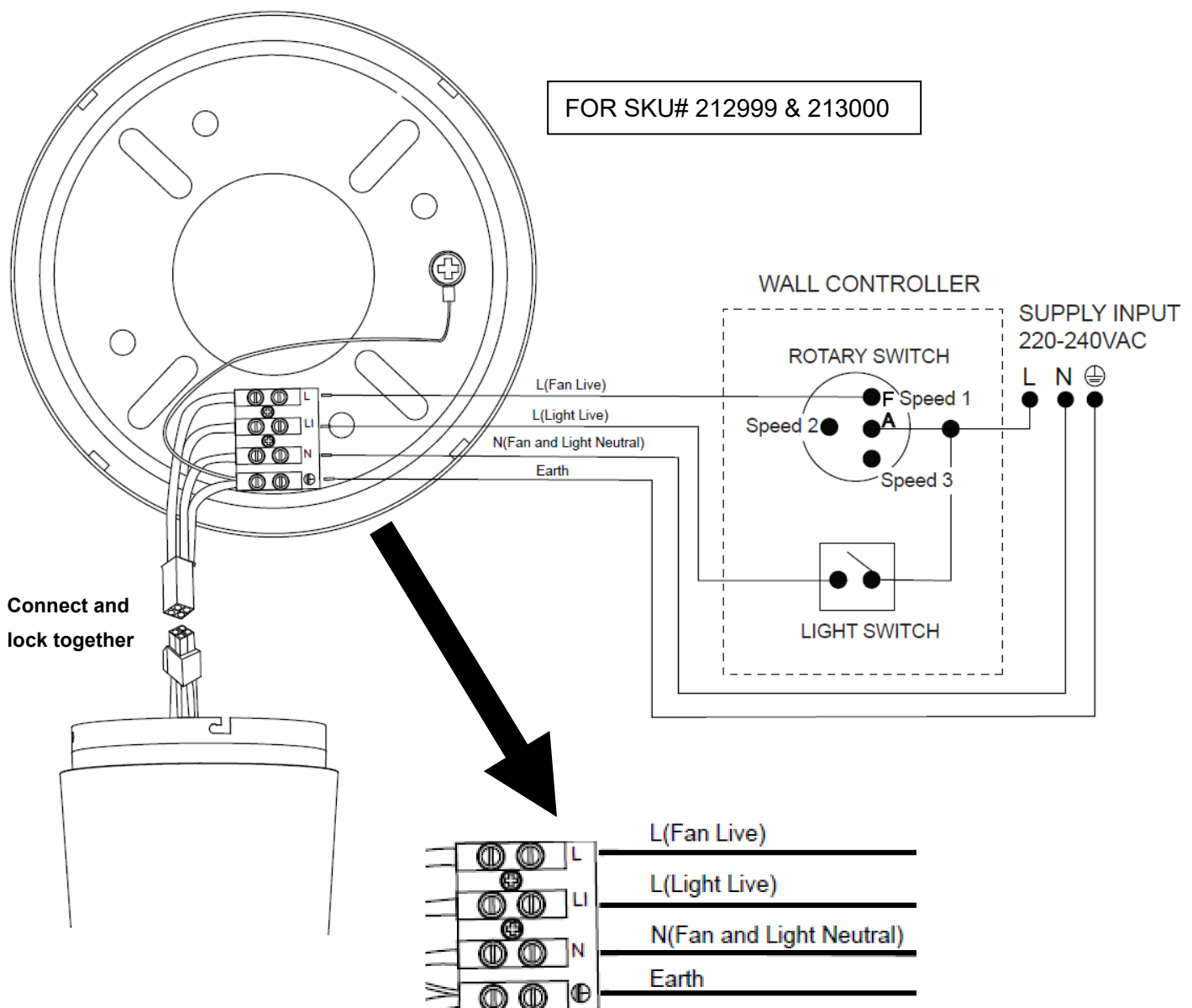


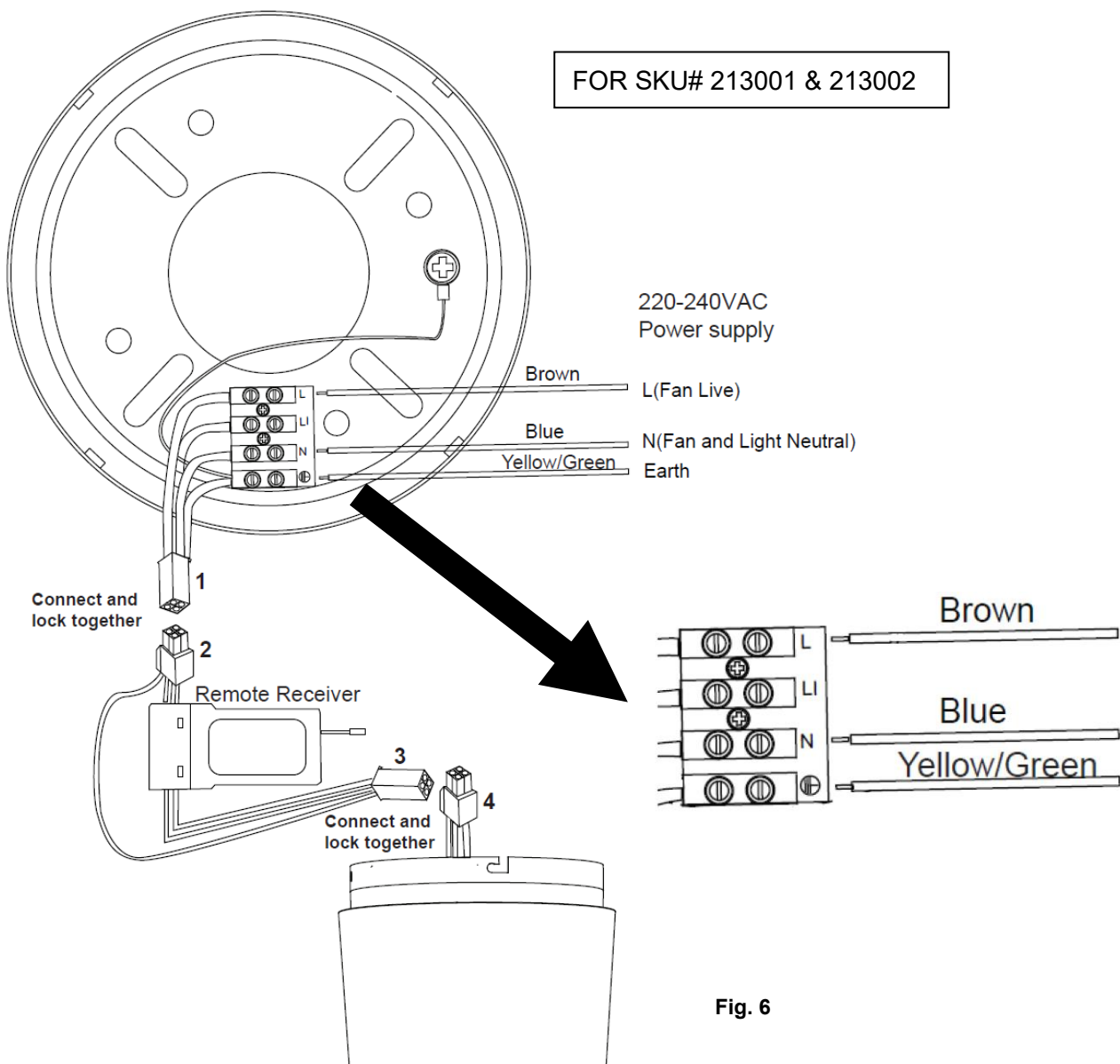
Fig. 5

This fan is suitable for indoor, alfresco and coastal areas where the fan is fully undercover with a minimum of 1 walls. This fan is not waterproof. When installed in an alfresco or coastal area, the ceiling fan must be positioned in a location protected from water, wind and dust. Exposure to these elements will void the warranty. Mounting the fan in a situation where it is subject to water or moisture is dangerous.



## **MODELS WITH REMOTE CONTROLLER WIRING DIAGRAM (Fig.6):**

- Make the wire connection L, N, and Earth to the mounting bracket terminal block as shown the diagram below in Fig. 6.
- Plug the quick connectors from the mounting bracket (1) and from the Remote receiver (2) together and ensure they lock.
- Plug the quick connectors from the remote receiver (3) and from the Fan (4) together and ensure they lock.
- Place the Remote receiver into the hanging canopy cavity of the motor assembly with the other internal wiring.



**Fig. 6**

### INSTALL THE FAN ASSEMBLY TO THE MOUNTING BRACKET

- After completing the electrical connection at the mounting bracket terminal block;
- **Fan without** remote receiver and light kit: connect the ceiling fan wiring via the quick connector plug;
- **Fan with** remote receiver and light kit: connect the remote receiver, and ceiling fan via the quick connector;
- Ensure the earth wiring is secure and correct, by performing an earthing continuity test from the fan's accessible metal body back to the earth terminal at the terminal block on the mounting bracket.

Install the fan assembly to the mounting bracket (Fig.7)

- There are 4 screws pre-installed on the mounting bracket:
  - Loosen two canopy screws with star washer (2) by half thread from the mounting bracket. (For L-shape slot on canopy to be mounted).
  - Loosen two canopy screws (1) and remove from the mounting bracket.
- Lift the hanging canopy of the fan assembly up to the mounting bracket and let the L-shape slot on the hanging canopy go through the two canopy screws with star washer (2).
- Turn the hanging canopy until it locks in place at the end section of the L-shape slot, ensure the star washer are between the hanging canopy (3) and screw head. Secure it by tightening the two canopy screws with star washer (2).
- Secure and tighten the canopy screws (1) to the mounting bracket. The hanging canopy (3) shall have 4 screws (1) & (2) in total. Avoid damaging the electrical wiring prepared previously when hanging the canopy.
- Finally attach the canopy cover (4) to the mounting bracket, secure it by pushing the hooks of the canopy cover into the slot holes of the hanging canopy and turn it anti clockwise.

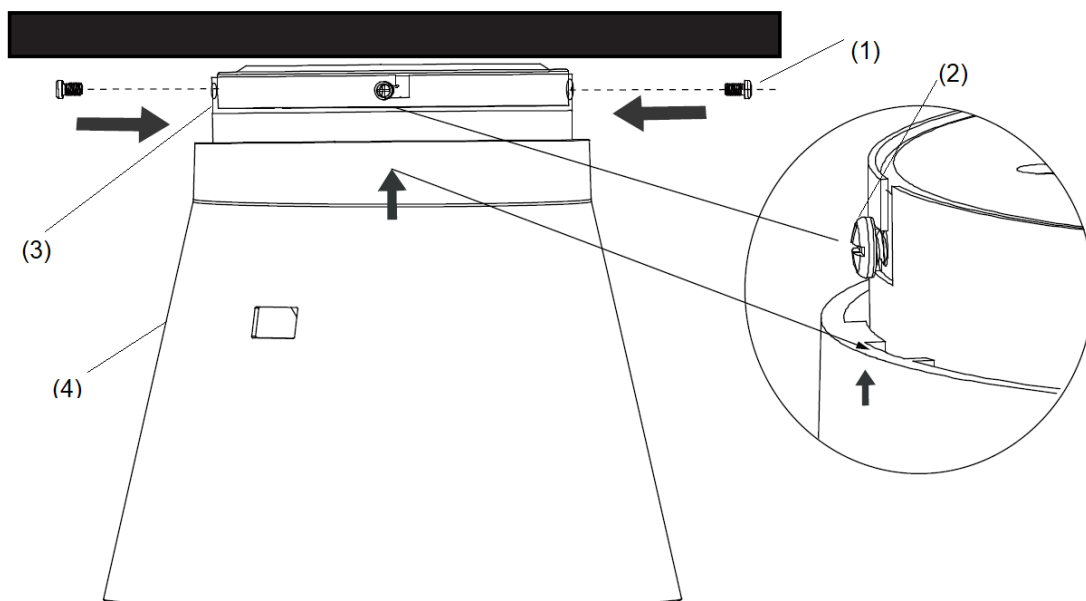


Fig. 7



## INSTALLING THE FAN BLADE AND LIGHT KIT

### **BLADE ATTACHMENT (Fig.8)**

1. Before installing the blades, remove the blade screws and flat washers from the bottom of fan motor.
2. Align the 2 holes on the blade with the 2 holes on the rotating member of fan motor assembly and using the 2 blade screws in step 1, to secure the blade to the fan motor assembly.  
Ensure all screws are tightened evenly to reduce the chance of warping or unbalancing. Take care not to over tighten the screws, as this can damage the blades.
3. Once completed, repeat the process on the remaining blades.

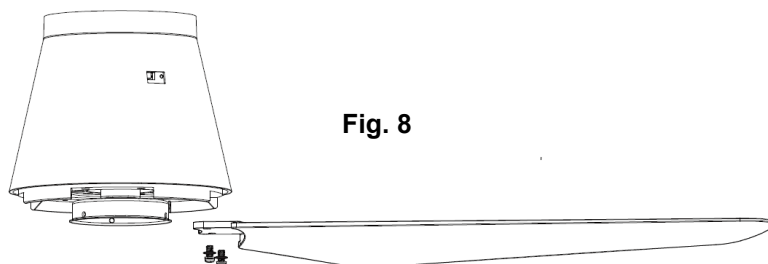


Fig. 8

### **INSTALLING THE BOTTOM COVER (FOR FAN WITHOUT LIGHT Fig.9)**

Secure the bottom motor cover to the fan by turning it clockwise.

FOR SKU# 212999 & 213000

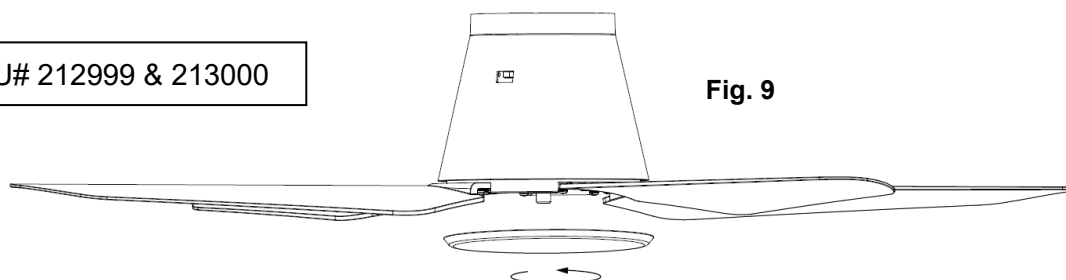


Fig. 9

### **INSTALLING THE LED LIGHT KIT (FOR FAN WITH LIGHT Fig.10)**

- Attach the LED light kit to the lamp base and connect wires to the LED light kit via the quick connectors.
- Secure the LED light kit on the lamp base by turning the LED light kit body clockwise. Take care not to cross thread or twist and damage the wires.

FOR SKU# 213001 & 213002

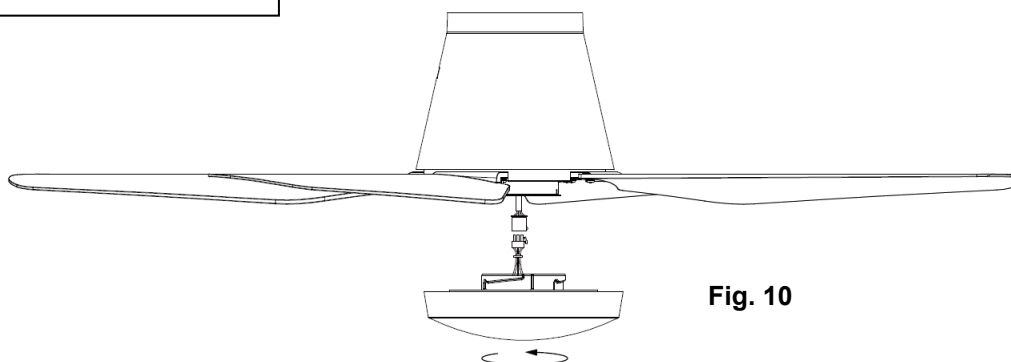


Fig. 10



## USING YOUR CEILING FAN – WALL CONTROLLER (SKU# 212999 & 213000)

### FAN WALL CONTROL (Fig. 11)

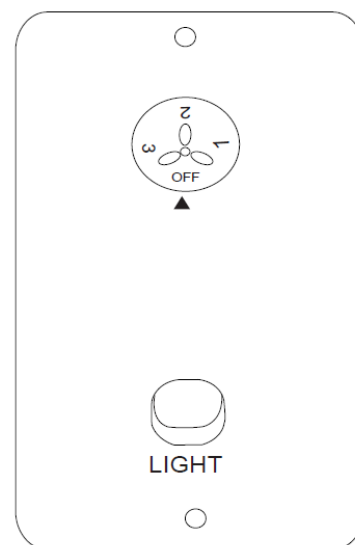
Turn on the power and check the operation of the fan.

- OFF Position – Fan off
- 3rd Position – Low fan speed
- 2nd Position – Medium fan speed
- 1st Position – High fan speed

### LIGHT CONTROL (Optional)

- Toggle Switch – On/off

Fig. 11



## USING YOUR CEILING FAN – REMOTE CONTROLLER (SKU# 213001 & 213002)

Your ceiling fan is controlled via the remote control. There are 4 buttons (HI, MED, LOW, OFF) to control the fan speed and one button to control light on/off. **Fig. 14**

Before operating the remote, the following must be considered.

- 2 x AAA 1.5V (size) batteries are required to operate the remote control. Remove the battery cover from the back of the remote and insert 2 x AAA batteries. Ensure the polarities are correct as shown in the battery compartment. (**Fig.12**) (Batteries not included.)
- The remote (transmitter) and receiver must be configured so that communication between each other is paired up. This is achieved by setting the DIP switch on the receiver and remote on the same setting. (**Fig. 13**)

Note: The DIP switch assembly has 4 switches which can be setup to 16 different transmitting code combinations. This is practical when there is more than 1 remote/receiver pair operating locally or in the same room.

**Note: To access the receiver DIP switches, remove the DIP switch cover.**



Fig. 12 Remote battery compartment

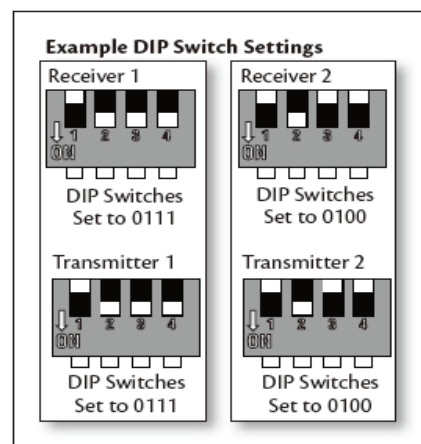


Fig. 13 Receiver DIP switch

## OPERATING THE REMOTE:

Before you start using the remote, take the time to read through this section and get familiar with the buttons and function of each button.

### **LED Indicator**

The red LED indicator on the top of the transmitter will flash when the buttons are active.

### **BUTTONS ON THE REMOTE**

**HI:** Press the button to set fan running at High speed.

**MED:** Press the button to set fan running at Medium speed.

**LOW:** Press the button to set fan running at Low speed.

**OFF:** Press the button to turn OFF the fan.



Fig. 14

## LIGHT CONTROL



: Press the button to turn ON/ OFF the light.

The remote has memory function. If the fan or light is turned off by the isolating switch, it will memorize and recover the last status when turned on next.

The LED Light Kit has a 3-step dimmable function which is controlled by an ON/OFF switch. Toggle the switch ON/OFF to the luminaire 4 times within 5 seconds, the globe will light up in the following order:

100% brightness → 60% brightness → 10% brightness → 100% brightness

To switch back to 100% brightness at any stage, turn OFF the luminaire, and then after 5 seconds turn ON the luminaire, it will reset to 100% brightness.

## INSTALLATION OF THE REMOTE CONTROL HOLDER (Fig. 15)

1. Locate a suitable wall or surface to fix the remote control wall holder.
2. Remove the screw cover and install the holder using the 2 screws and re-install the screw cover. (Fig. 15a).
3. Slide the remote into the holder. (Fig. 15b).

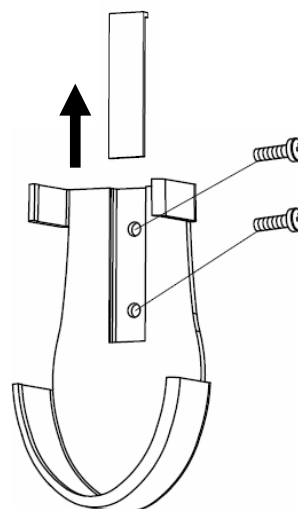


Fig. 15a

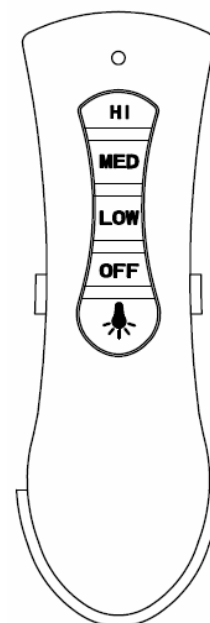


Fig. 15b

## **REVERSING SWITCH (Fig. 16)**

Your ceiling fan can operate in either summer or winter mode.

**SUMMER Mode:** The reverse switch shall be in the SUMMER position to make the fan rotate in an anticlockwise direction. The airflow will be directed downwards, for cooling in summer.

**WINTER Mode:** The reverse switch shall be in the WINTER position to make the fan rotate in a clockwise direction. The airflow will be directed upwards assisting in the circulation of warm air, for energy conservation in winter.

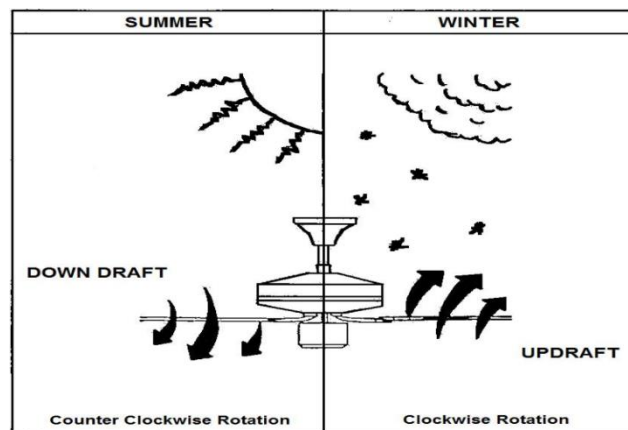
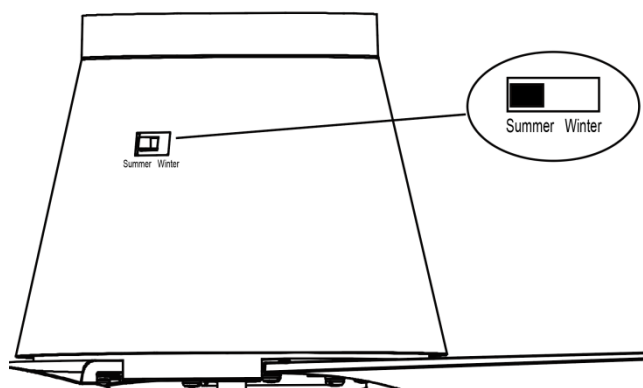


Fig. 16

## **AFTER INSTALLATION**

### **WOBBLE:**

**NOTE:** ceiling fans tend to move during operation due to the fact that they are mounted on a rubber grommet. If the fan was mounted rigidly to the ceiling it would cause excessive vibration. Movement of a few centimeters is quite acceptable and DOES NOT suggest any problem.

**TO REDUCE THE FAN WOBBLE:** Please check that all screws which fix the mounting bracket and down rod are secure.

### **NOISE:**

When it is quiet (especially at night) you may hear occasional small noises. Slight power fluctuations and frequency signals superimposed in the electricity for off-peak hot water control, may cause a change in fan motor noise. This is normal. Please allow a 24-hour “settling-in” period, most noises associated with a new fan disappear during this time.

The manufacturer’s warranty covers actual faults that may develop and NOT minor complaints such as hearing the motor run – All electric motors are audible to some extent.

## CARE & CLEANING

**NOTE: Always turn OFF the power at the mains switch before performing any maintenance or attempting to clean your fan.**

- Every 6 months periodic cleaning of your ceiling fan is the only maintenance required. Use a soft brush or lint free cloth to avoid scratching the paint finish. Please turn off electricity power when you do so.
- Do not soak or immerse your ceiling fan in the water or other liquids. It could damage the motor or the blades and create the possibility of an electrical shock.
- Ensure that the fitting does not come in contact with any organic solvents or cleaners.
- To clean the fan blade, wipe with only a damp clean cloth with NO organic solvents or cleaners.
- The motor has a permanently lubricated ball bearing so there is no need to oil.

## SAFETY PRECAUTIONS FOR BATTERY

- **WARNING** – Keep new and used batteries away from children.
- **CAUTION** – Do not ingest battery—Chemical burn hazard.
- Always use 2 x AAA battery type with this ceiling fan remote controller.
- Ensure the batteries are inserted with the correct polarity.
- To prevent false operation during battery insertion or replacement, this ceiling fan must be disconnected from the supply mains.
- Remove batteries from the product when not in use for long periods of time.
- Batteries must be removed from the remote transmitter before it is discarded.
- Dispose of exhausted batteries immediately and safely (so they cannot be retrieved by children). Batteries can still be dangerous. Contact your local council to safely dispose of the battery.
- Regularly check the product and make sure the battery box lid is correctly secured. If the battery compartment does not close securely, stop using the product and keep it away from children.

## TECHNICAL INFORMATION

Fan	48" fan – Aria CTC
Fan Models / SKU# (Wall controller no light)	ARIA CTC / SKU# 212999, 213000
Fan Models / SKU# (Remote controller with light)	ARIA CTC L / SKU# 213001, 213002
Rated Voltage	220-240V~ 50Hz
Rated Wattage (Motor)	50W
Rated wattage (Light Kit)	18W, 1100 LM, 3000K, Dimmable (3-step dimming)
Weight	5.0 kg
Canopy Dimensions	H:95mm Dia:130mm



## WARRANTY INFORMATION

**IN AUSTRALIA / NEW ZEALAND** – Please refer to the separated WARRANTY STATEMENT.  
**IN EUROPE** – If you are a European customer please contact the retail outlet where the fan was purchased for warranty service.



This fan is suitable for indoor, alfresco and coastal areas where the fan is fully undercover with a minimum of 1 walls. This fan is not waterproof. When installed in an alfresco or coastal area, the ceiling fan must be positioned in a location protected from water, wind and dust. Exposure to these elements will void the warranty. Mounting the fan in a situation where it is subject to water or moisture is dangerous.




# D

## VIELEN DANK FÜR IHREN KAUF

Vielen Dank, dass Sie sich für dieses Qualitätsprodukt von Lucci entschieden haben. Lesen und befolgen Sie bitte sorgfältig alle Anleitungen, bevor Sie das Produkt benutzen, um eine einwandfreie Funktion und Sicherheit bei Montage, Installation und Gebrauch zu gewährleisten. Bitte bewahren Sie die Anleitungen zum Nachlesen auf.

## SICHERHEITSVORKEHRUNGEN

1. In Europa: Dieses Gerät kann von Kindern ab 8 Jahren sowie Personen mit eingeschränkten physischen, sensorischen oder geistigen Fähigkeiten oder Mangel an Erfahrung und Wissen im Umgang mit dem Gerät verwendet werden, wenn sie beaufsichtigt oder bezüglich des sicheren Gebrauchs unterwiesen wurden und die daraus resultierenden Gefahren verstanden haben. Die Reinigung und Wartung dürfen nicht durch Kinder ohne Aufsicht erfolgen.
2. In Australien: Das Gerät ist nicht dafür bestimmt, von Personen (einschließlich Kindern) mit eingeschränkten physischen, sensorischen oder geistigen Fähigkeiten oder mangelnder Erfahrung und/oder mangelndem Wissen benutzt zu werden, es sei denn, sie werden durch eine für ihre Sicherheit zuständige Person beaufsichtigt oder erhalten von ihr Anweisungen, wie das Gerät zu benutzen ist.
3. Kinder müssen beaufsichtigt werden, um sicherzustellen, dass sie nicht mit dem Gerät spielen.
4. In die feste Verkabelung muss ein allpoliger Trennschalter gemäß den örtlichen Verkabelungsvorschriften eingebaut werden.
5.  Entsorgen Sie elektrische Geräte nicht als unsortierten Siedlungsabfall, nutzen Sie separate Sammelstellen. Wenden Sie sich an Ihre Gemeindeverwaltung, um Informationen über die verfügbaren Sammelsysteme zu erhalten. Wenn Elektrogeräte auf Deponien entsorgt werden, können gefährliche Stoffe in das Grundwasser eindringen und in die Nahrungskette gelangen, was Ihrer Gesundheit und Ihrem Wohlbefinden schadet.
6. Die Struktur, an der der Ventilator montiert werden soll, muss ein Gewicht von 30 kg tragen können.
7. Der Ventilator sollte so montiert werden, dass sich die Flügel in Europa mindestens 2,3 m über dem Boden und in Australien 2,1 m über dem Boden befinden.
8. Dieser Ventilator ist für Innenbereiche, im Freien und Küstenregionen geeignet, sofern er geschützt – vollständig von einem Dach bedeckt und durch mindestens eine Wand geschützt – betrieben wird. Dieser Ventilator ist nicht wasserfest. Im Freien oder in einer Küstenregion muss der Deckenventilator an einem Ort installiert werden, der vor Wasser, Wind und Staub geschützt ist. Andernfalls erlischt die Garantie. Die Montage des Ventilators unter Bedingungen, unter denen er

Wasser oder Feuchtigkeit ausgesetzt ist, ist gefährlich und kann das Risiko von Schäden, Verletzungen oder Stromschlägen erhöhen und führt zum Erlöschen der Garantie.

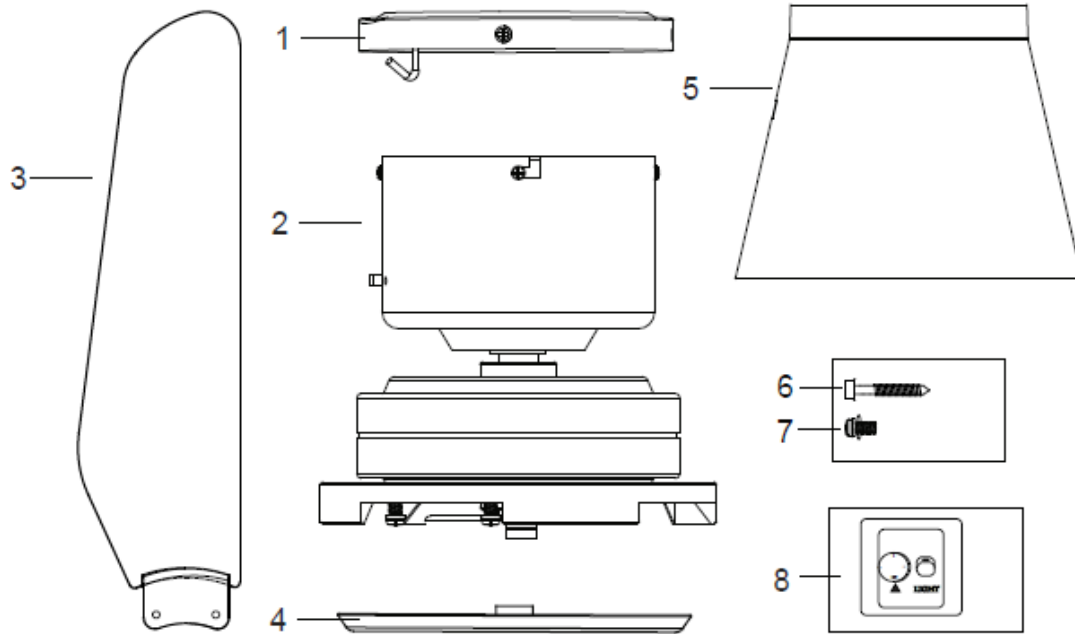
9. Das Produkt muss von einem qualifizierten Elektriker zusammengebaut installiert werden.
10. **WARNUNG:** Bei ungewöhnlichen Unwucht- oder oszillierenden Bewegungen ist der Deckenventilator sofort außer Betrieb zu nehmen und der Hersteller, sein Servicepartner oder entsprechend qualifizierte Personen zu kontaktieren.
11. Der Austausch von Teilen der Sicherheitsaufhängung ist vom Hersteller, seinem Servicepartner oder entsprechend qualifizierten Personen durchzuführen.
12. Die Befestigungsmittel zur Befestigung an der Decke, wie z. B. Haken oder andere Vorrichtungen, sind mit einer ausreichenden Festigkeit zu befestigen, um dem 4-fachen Gewicht des Deckenventilators standzuhalten; die Montage des Aufhängungssystems muss vom Hersteller, seinem Servicepartner oder entsprechend qualifizierten Personen durchgeführt werden.

## TEILELISTE

- Packen Sie Ihren Deckenventilator vorsichtig aus. Entfernen Sie alle Teile und Beschläge.
- Breiten Sie alle Komponenten auf einer glatten Fläche aus und vergewissern Sie sich vor der Montage, dass keine Komponenten fehlen. Falls Teile fehlen, bringen Sie das komplette Produkt zwecks Überprüfung oder Austausch zum Einkaufsort zurück.
- Prüfen Sie, ob der Deckenventilator während des Transports beschädigt wurde. Benutzen/Installieren Sie kein Produkt, das in irgendeiner Weise beschädigt zu sein scheint. Bringen Sie das komplette Produkt zwecks Überprüfung, Reparatur oder Austausch zum Einkaufsort zurück.
- Überprüfen Sie alle Teile. Sie sollten die folgende Liste und Abb. 1 beachten:

<b>Ventilator mit Wandschalter (ohne Beleuchtungsset) (ARTIKELNR. 212999 und 213000)</b>		<b>Ventilator mit Fernbedienung (mit Beleuchtungsset) (ARTIKELNR. 213001 und 213002)</b>	
<b>1</b>	1 x Halterung	<b>1</b>	1 x Halterung
<b>2</b>	1 x Motoreinheit	<b>2</b>	1 x Motoreinheit
<b>3</b>	4 x Flügel	<b>3</b>	4 x Flügel
<b>4</b>	1 x untere Motorabdeckung	<b>4</b>	LED-Beleuchtungsset x 1
<b>5</b>	1 x Motorgehäuseabdeckung	<b>5</b>	1 x Motorgehäuseabdeckung
<b>6</b>	4 x Montageschrauben	<b>6</b>	4 x Montageschrauben
<b>7</b>	1 x Ersatzschraube für Flügel	<b>7</b>	1 x Ersatzschraube für Flügel
<b>8</b>	1 x Wandschaltersatz	<b>8</b>	1 x Fernbedienungsempfänger und Fernbedienung

Ventilator mit Wandschalter (ohne Beleuchtungsset) ARTIKELNR. 212999 und 213000



Ventilator mit Fernbedienung (mit Beleuchtungsset) ARTIKELNR. 213001 und 213002

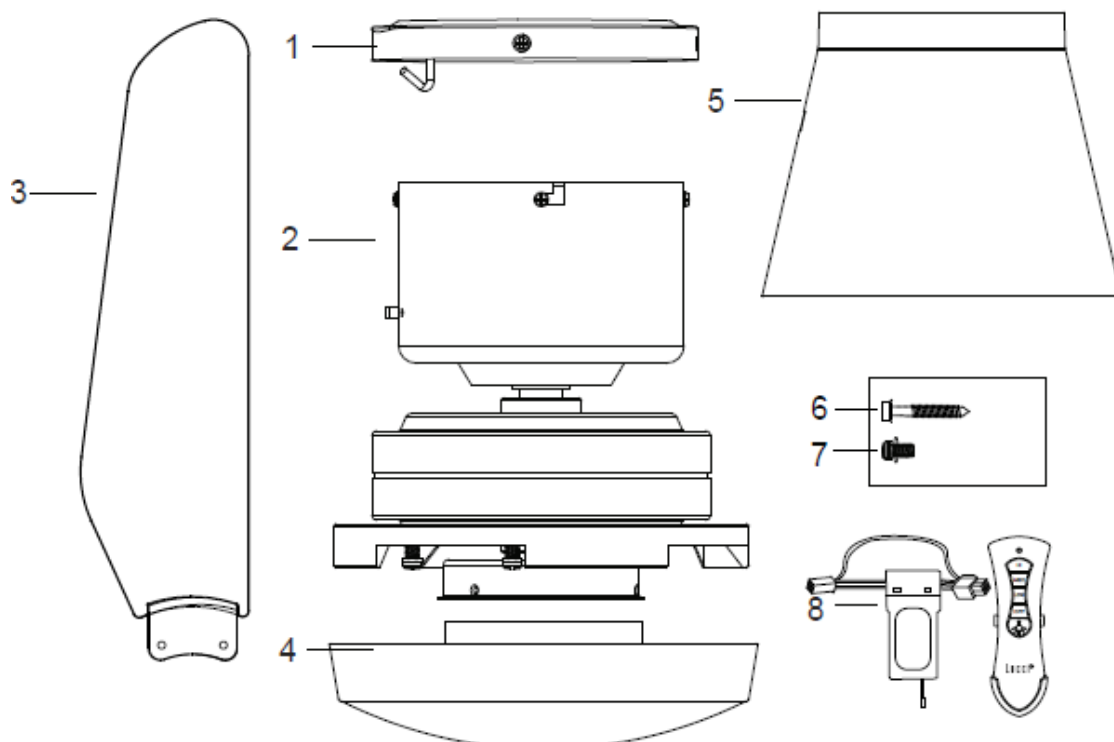


Abb. 1



## MONTAGE DER HALTERUNG

- Der Deckenventilator muss mit einem Abstand von 300 mm von der Flügelspitze bis zum nächsten Objekt oder den Wänden installiert werden.
- Fixieren Sie mithilfe der vier mitgelieferten langen Schrauben die Halterung an einem Deckenbalken oder einem Deckenträger, der mindestens eine Last von 20 kg tragen kann. Stellen Sie sicher, dass mindestens 30 mm der Schraube in die Halterung eingeschraubt sind. (Abb. 2)

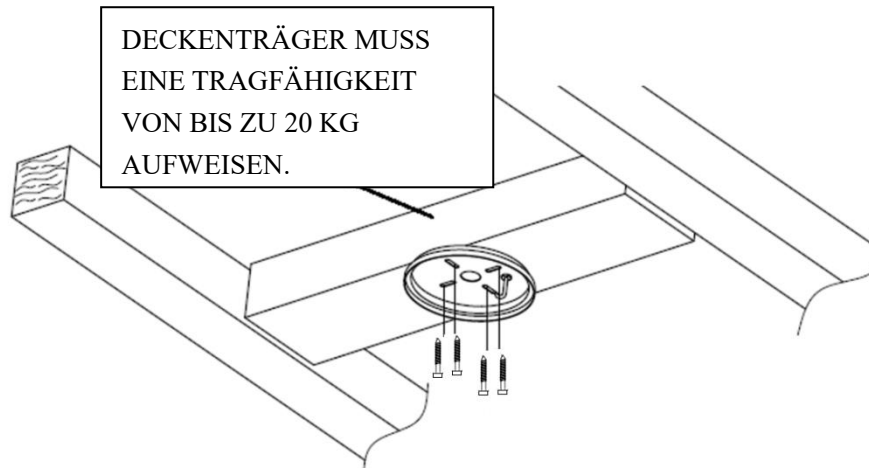


Abb. 2

**HINWEIS:** Die mitgelieferten Befestigungsschrauben sind nur für Holzkonstruktionen geeignet. Für andere Konstruktionen als Holz MUSS der entsprechende Schraubentyp verwendet werden. Stellen Sie sicher, dass die verwendeten Schrauben für die Montagefläche und die Umgebung geeignet sind.

## MONTAGE AN EINER DACHSCHRÄGE

Dieses Ventilator-Aufhängungssystem unterstützt **NICHT** die Montage des Ventilators an einer schrägen Decke.

## AUFHÄNGEN DES VENTILATORS AN DER MOTOREINHEIT

- Montieren Sie das Motorgehäuse (1) auf der Motoreinheit (Abb. 3).
- Setzen Sie den kompletten Ventilator in die Halterung ein. Hängen Sie den kompletten Ventilator an den J-Haken (2) der Halterung. (Abb. 4)
- Schließen Sie die elektrische Verdrahtung gemäß dem „BLOCKSCHALTBILD“ im nachfolgenden Abschnitt ab.

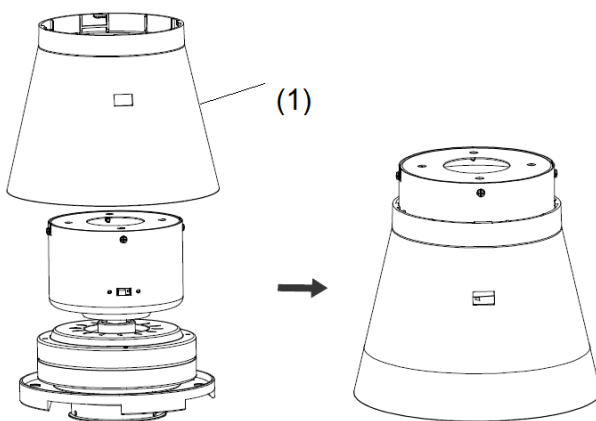


Abb. 3

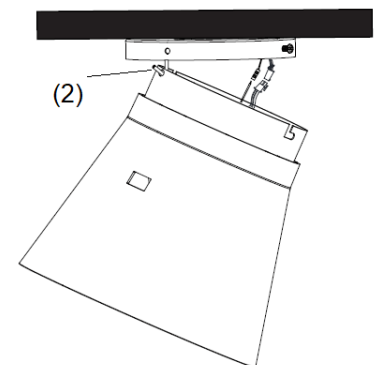


Abb. 4

## ELEKTRISCHER ANSCHLUSS DES VENTILATORS

**WARNUNG:** ZUR EIGENEN SICHERHEIT SOLLTEN ALLE ELEKTRISCHEN ANSCHLÜSSE VON EINEM GEPRÜFTEN ELEKTRIKER VORGENOMMEN WERDEN.

**HINWEIS:** IN DER FESTVERDRAHTUNG SOLLTE EIN ZUSÄTZLICHER TRENNSCHALTER FÜR ALLE PHASEN VORGEGEHEN WERDEN.

**HINWEIS: Das Schaltbild enthält auch die Beschaltung des Beleuchtungssets. Wird der Deckenventilator ohne Beleuchtung verwendet, werden das Schaltbild und die Beschaltung der Beleuchtung ausgelassen.**

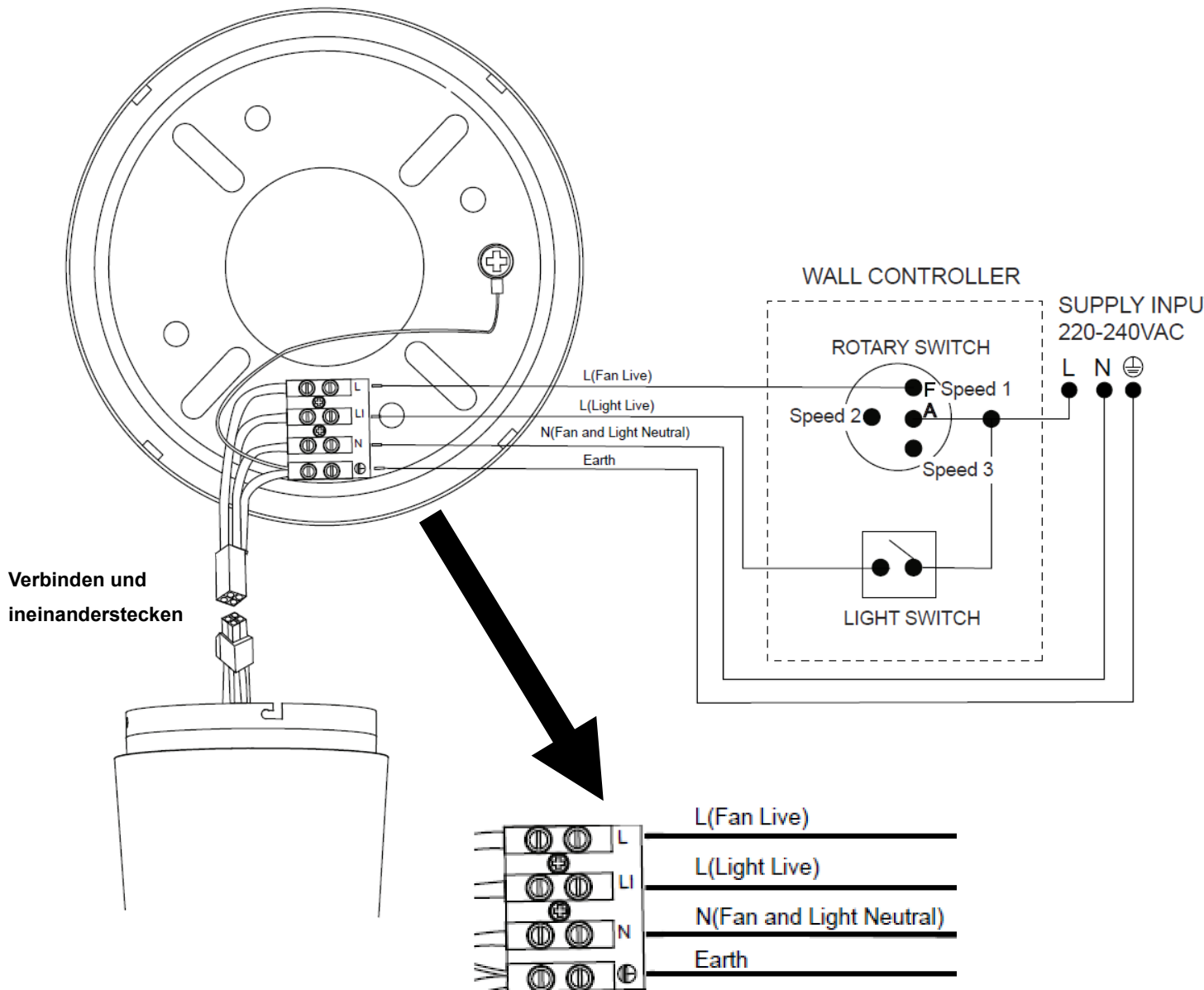
### **SCHALTPLAN FÜR MODELLE MIT WANDSCHALTER (Abb. 5):**

- Verbinden Sie die Drähte L, N und Erde mit der Klemmleiste der Halterung, wie im Schaltbild in Abb. 5 gezeigt. Hinweis: Ignorieren Sie den Anschluss des Beleuchtungssets, da dieses Modell kein Beleuchtungsset hat.
- Verbinden Sie die Schnellanschlüsse des Ventilators und der Halterung und achten Sie darauf, dass sie fest ineinandergreifen. \_




FÜR ARTIKELNR. 212999 & 213000

Abb. 5



SUPPLY INPUT 220-240VAC	LEISTUNGS-AUFNAHME 220-240 V AC
WALL CONTROLLER	WANDSCHALTER
ROTARY SWITCH	DREHSCHALTER
Speed 1	Geschwindigkeit 1
Speed 2	Geschwindigkeit 2
Speed 3	Geschwindigkeit 3
LIGHT SWITCH	LICHTSCHALTER
L (Fan Live)	L (Phase Ventilator)
L (Light Live)	L (Phase Leuchte)
N (Fan and Light Neutral)	N (Nullleiter Ventilator und Leuchte)
Earth	Erde

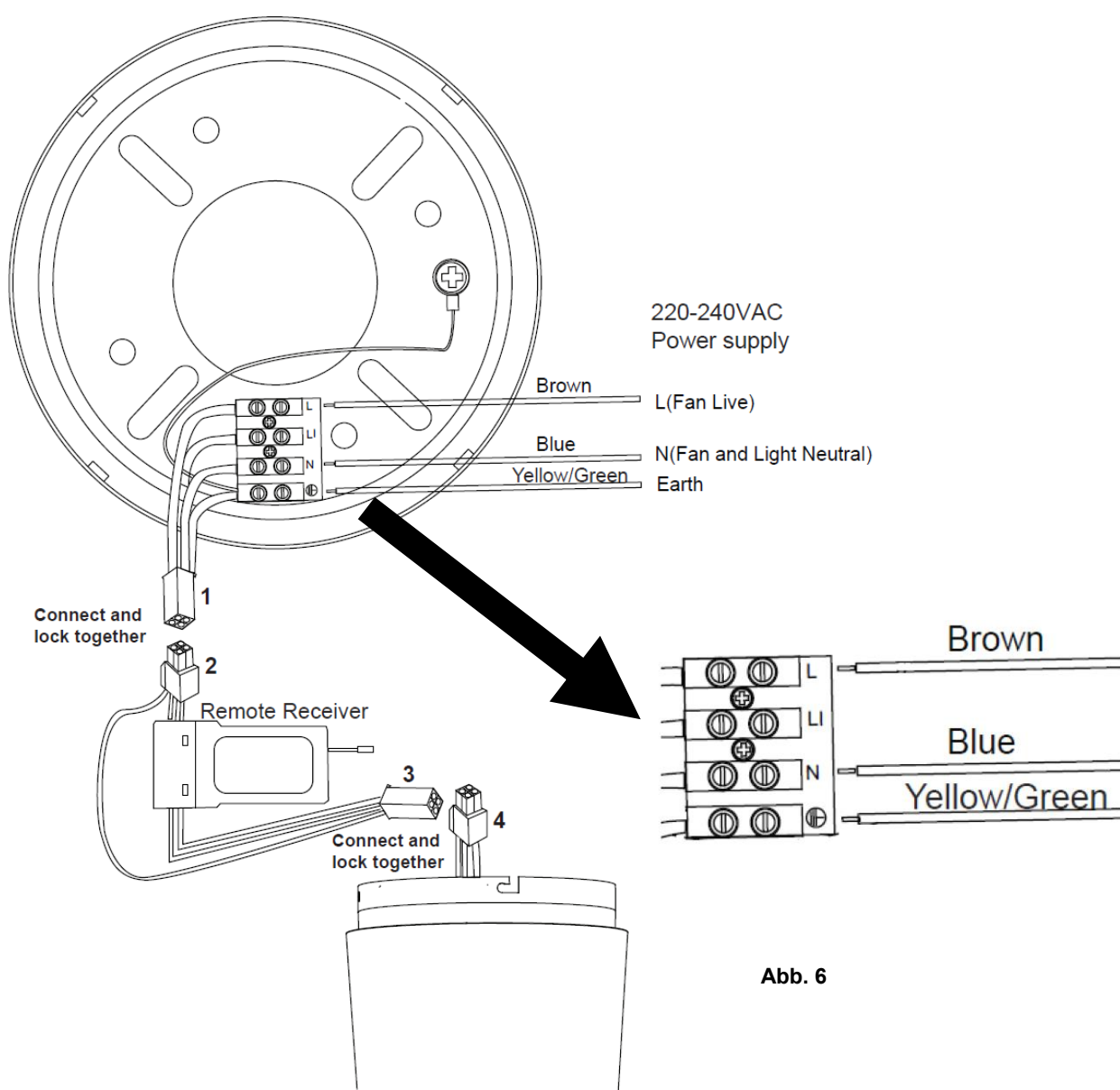


This fan is suitable for indoor, alfresco and coastal areas where the fan is fully undercover with a minimum of 1 walls. This fan is not waterproof. When installed in an alfresco or coastal area, the ceiling fan must be positioned in a location protected from water, wind and dust. Exposure to these elements will void the warranty. Mounting the fan in a situation where it is subject to water or moisture is dangerous.

**SCHALTPLAN FÜR MODELLE MIT FERNBEDIENUNG (Abb. 6):**

- Verbinden Sie die Drähte L, N und Erde mit der Klemmleiste der Halterung, wie im Schaltbild in Abb. 6 gezeigt.
- Verbinden Sie die Schnellanschlüsse der Halterung (1) und des Fernbedienungsempfängers (2) und achten Sie darauf, dass sie fest ineinandergreifen.
- Verbinden Sie die Schnellanschlüsse des Fernbedienungsempfängers (3) und des Ventilators (4) und achten Sie darauf, dass sie fest ineinandergreifen.
- Setzen Sie den Fernbedienungsempfänger in die Aussparung des hängenden Baldachins des Motors mit der anderen internen Verdrahtung.

FÜR ARTIKELNR. 213001 & 213002





Brown	Braun
Blue	Blau
Yellow/Green	Gelb/Grün
220-240VAC Power supply	Versorgungsspannung 220-240 VAC
Remote Receiver	Fernbedienungsempfänger

### INSTALLATION DES KOMPLETTEN VENTILATORS AN DER HALTERUNG

- Nachdem Sie den elektrischen Anschluss an der Klemmleiste der Halterung abgeschlossen haben:
  - **Ventilator ohne** Fernbedienungsempfänger und Beleuchtungsset: Verbinden Sie die Drähte des Deckenventilators mithilfe des Schnellsteckanschlusses;
  - **Ventilator mit** Fernbedienungsempfänger und Beleuchtungsset: Verbinden Sie den Fernbedienungsempfänger und den Deckenventilator mithilfe des Schnellanschlusses.
- Vergewissern Sie sich, dass die Erdungsleitung sicher und korrekt ist, indem Sie einen Erdungsdurchgangstest vom zugänglichen Metallkörper des Ventilators zurück zur Erdungsklemme an der Klemmleiste der Montagehalterung durchführen.

Den kompletten Ventilator an der Halterung installieren (Abb. 7)

- An der Halterung sind bereits vier Schrauben montiert:
  - Lösen Sie zwei Baldachinschrauben mit Zahnscheibe (2), indem Sie sie halb aus der Halterung drehen. (Für den L-förmigen Schlitz am zu montierenden Baldachin)
  - Schrauben Sie zwei Baldachinschrauben (1) ganz aus der Halterung.
- Heben Sie den Deckenbaldachin des Ventilators an die Halterung und führen Sie den L-förmigen Schlitz am Deckenbaldachin durch die zwei Baldachinschrauben mit Zahnscheibe (2).
- Drehen Sie den Deckenbaldachin, bis er im Endabschnitt des L-förmigen Schlitzes einrastet. Die Zahnscheibe muss zwischen dem Deckenbaldachin (3) und dem Schraubenkopf sein. Fixieren Sie ihn durch Anziehen der zwei Baldachinschrauben mit Zahnscheibe (2).
- Fixieren und ziehen Sie die Baldachinschrauben (1) an der Halterung fest. Der Deckenbaldachin (3) muss mit insgesamt vier Schrauben (1) und (2) fixiert werden. Vorsichtig beim Aufhängen des Baldachins vorgehen, damit die zuvor angeschlossenen Elektrokabel nicht beschädigt werden.
- Befestigen Sie zum Schluss die Baldachinabdeckung (4) an der Halterung. Fixieren Sie diese, indem Sie die Haken der Baldachinabdeckung in die Schlitzöffnungen des Deckenbaldachins schieben und sie gegen den Uhrzeigersinn drehen.



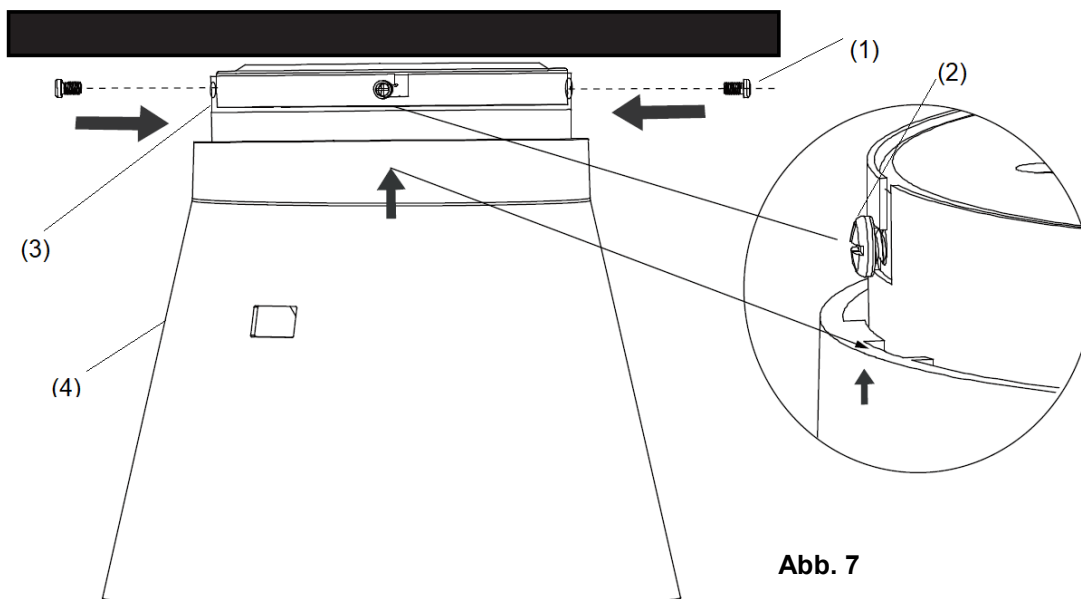


Abb. 7

## MONTAGE DES FLÜGELS UND BELEUCHTUNGSSETS

### ANBRINGEN DES ROTORBLATTS (Abb. 8)

1. Entfernen Sie die Flügelschrauben und Unterlegscheiben von der Unterseite des Ventilormotors, bevor Sie die Flügel anbringen.
2. Richten Sie die zwei Löcher am Flügel an den zwei Löchern am Drehkörper des Ventilormotors aus. Fixieren Sie den Flügel mithilfe der zwei Flügelschrauben aus Schritt 1 am Ventilormotor. Stellen Sie sicher, dass alle Schrauben gleichmäßig angezogen sind, um das Risiko zu verringern, dass der Ventilator sich verzieht oder aus dem Gleichgewicht gerät. Achten Sie darauf, die Schrauben nicht übermäßig fest anzuziehen, da die Flügel sonst beschädigt werden könnten.
3. Diesen Schritt bei den übrigen Flügeln wiederholen.

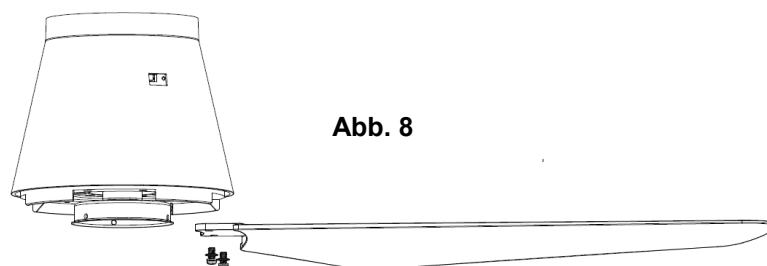


Abb. 8

### MONTAGE DER UNTEREN ABDECKUNG (FÜR DEN VENTILATOR OHNE LICHT Abb. 9)

Schrauben Sie die untere Motorabdeckung im Uhrzeigersinn am Ventilator fest.

FÜR ARTIKELNR. 212999 &  
213000

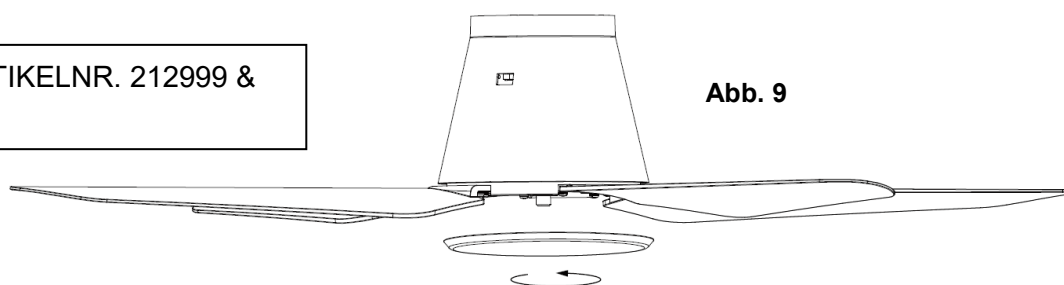


Abb. 9

### **MONTAGE DES BELEUCHTUNGSSETS (FÜR DEN VENTILATOR MIT LICHT Abb. 10)**

- Befestigen Sie das LED-Beleuchtungsset an der Lampenbasis und verbinden Sie die Kabel am LED-Beleuchtungsset mithilfe der Steckanschlüsse.
- Befestigen Sie das LED-Beleuchtungsset an der Lampenbasis, indem Sie den Körper des LED-Beleuchtungssets im Uhrzeigersinn drehen. Achten Sie darauf, die Drähte nicht zu überkreuzen oder zu verdrehen und zu beschädigen.

FÜR ARTIKELNR. 213001 &  
213002

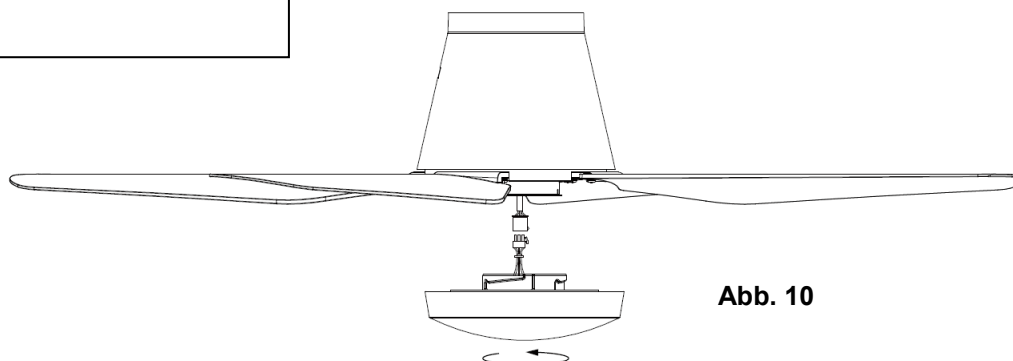


Abb. 10

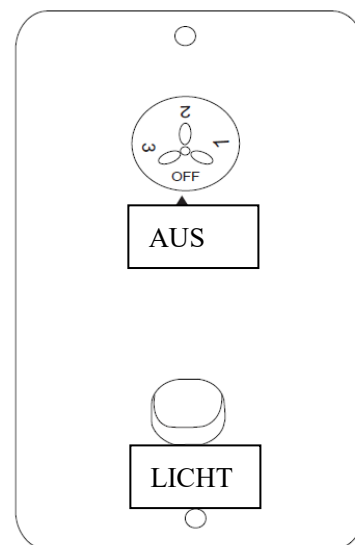
### **BENUTZUNG DES DECKENVENTILATORS – WANDSCHALTER (ARTIKELNR. 212999 und 213000)**

#### **WANDSCHALTER (Abb. 11)**

Schalten Sie die Stromversorgung ein und prüfen Sie den Betrieb des Ventilators.

- OFF-Position – Ventilator ist aus
- 3. Position – niedrige Ventilatorgeschwindigkeit
- 2. Position – mittlere Ventilatorgeschwindigkeit
- 1. Position – hohe Ventilatorgeschwindigkeit

Abb. 11



#### **LICHTSTEUERUNG (optional):**

- Kippschalter – Ein/aus

**BENUTZUNG DES DECKENVENTILATORS – FERNBEDIENUNG (ARTIKELNR. 213001 und 213002)**

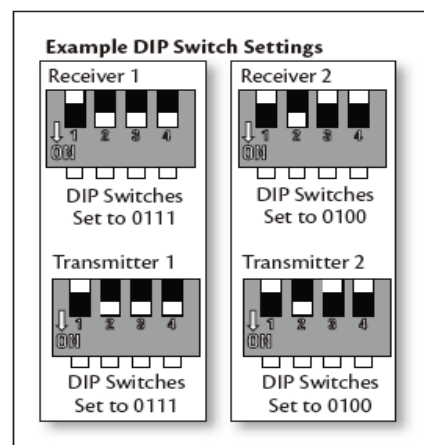
Ihr Deckenventilator wird über die Fernbedienung gesteuert. Auf der Fernbedienung finden Sie vier Tasten (HI, MED, LOW, OFF) zur Steuerung der Ventilatorgeschwindigkeit und einer Taste zum Ein- und Ausschalten der Beleuchtung. **Abb. 14**

Vor dem Gebrauch der Fernbedienung muss Folgendes beachtet werden.

- Es werden zwei AAA-Batterien (1,5 V) zum Betrieb der Fernbedienung benötigt. Entfernen Sie die Batteriefachabdeckung von der Rückseite der Fernbedienung und legen Sie zwei AAA-Batterien ein. Dabei auf die richtige Polarität achten, die im Batteriefach schematisch dargestellt ist. **(Abb. 12)** (Batterien nicht inbegriffen)
- Die Fernbedienung (Sender) und der Empfänger müssen konfiguriert werden, um die Verbindung zwischen beiden Elementen herzustellen. Stellen Sie hierzu den DIP-Schalter am Empfänger und der Fernbedienung auf die gleiche Position. **(Abb. 13)**

Hinweis: Die DIP-Schaltereinheit besitzt vier Schalter, die in 16 verschiedene Übertragungscode-Kombinationen gestellt werden können. Dies ist praktisch, wenn mehr als ein Fernbedienung/Empfänger-Paar lokal oder im gleichen Zimmer benutzt wird.

**Hinweis: Entfernen Sie die DIP-Schalterabdeckung, um auf die DIP-Schalter zuzugreifen.**



Example DIP Switch Settings	Beispieleinstellungen für die DIP-Schalter
Receiver 1	Empfänger 1
DIP Switches Set to 0111	DIP-Schalter auf 0111 eingestellt
Receiver 2	Empfänger 2
DIP Switches Set to 0100	DIP-Schalter auf 0100 eingestellt
Transmitter 1	Sender 1
DIP Switches Set to 0111	DIP-Schalter auf 0111 eingestellt
Transmitter 2	Sender 2
DIP Switches Set to 0100	DIP-Schalter auf 0100 eingestellt

Abb. 12 Batteriefach der Fernbedienung

Abb. 13 DIP-Schalter des Empfängers

## BEDIENUNG DER FERNBEDIENUNG

Vor dem Benutzen der Fernsteuerung sollten Sie sich etwas Zeit zum Lesen dieser Anleitung nehmen und sich mit den Tasten und deren Funktionen vertraut machen.

### **LED-Anzeige:**

Die rote LED-Anzeige auf der Spitze des Senders blinkt, wenn die Tasten aktiviert sind.

### **TASTEN AUF DER FERNBEDIENUNG**

**HI:** zum Einstellen der höchsten Geschwindigkeitsstufe drücken.

**MED:** zum Einstellen der mittleren Geschwindigkeitsstufe drücken.

**LOW:** zum Einstellen der niedrigsten Geschwindigkeitsstufe drücken.

**OFF:** zum Ein- und Ausschalten des Ventilators drücken.



Abb. 14

LED indicator	LED-Anzeige
Turn on the fan at high speed	Ventilator mit hoher Geschwindigkeit starten
Turn on the fan at medium speed	Ventilator mit mittlerer Geschwindigkeit starten
Turn on the fan at low speed	Ventilator mit niedriger Geschwindigkeit starten
Turn off the fan	Ventilator ausschalten
Turn on / off the light	Beleuchtung ein-/ausschalten

## LICHTSTEUERUNG

: zum Ein- und Ausschalten der Beleuchtung drücken.

Die Fernbedienung besitzt eine Speicherfunktion. Falls der Ventilator oder die Beleuchtung durch den Trennschutzschalter ausgeschaltet wird, wird die Einstellung für das nächste Mal, wenn der Ventilator eingeschaltet wird, gespeichert.

Das LED-Beleuchtungsset ist mit einer 3-stufigen Dimmfunktion versehen, die mithilfe eines EIN-/AUS-Schalters gesteuert wird. Betätigen Sie den EIN-/AUS-Schalter der Beleuchtung innerhalb 5 Sekunden viermal. Der Leuchtkörper leuchtet in folgender Reihenfolge:

100 % Helligkeit → 60 % Helligkeit → 10 % Helligkeit → 100 % Helligkeit

Um, ganz gleich auf welcher Helligkeitsstufe, zu 100 % zurückzukehren, schalten Sie die Beleuchtung AUS und dann nach 5 Sekunden wieder EIN. Die Leuchte wird auf 100 % Helligkeit zurückgesetzt.

## MONTAGE DER FERNBEDIENUNGSHALTERUNG (Abb. 15)

1. Suchen Sie eine geeignete Wand oder Fläche zum Anbringen der Wandhalterung der Fernbedienung.
2. Entfernen Sie die Schraubenabdeckung und montieren Sie die Halterung mithilfe der zwei Schrauben und befestigen Sie die Schraubenabdeckung wieder. (Abb. 15a).
3. Setzen Sie die Fernbedienung in die Halterung. (Abb. 15b)

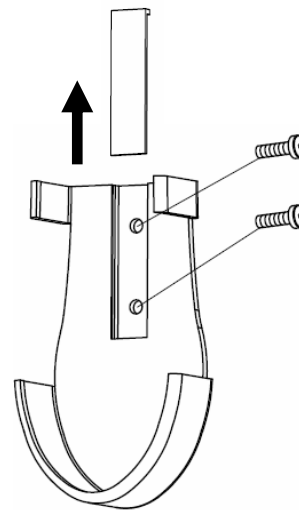


Abb. 15a

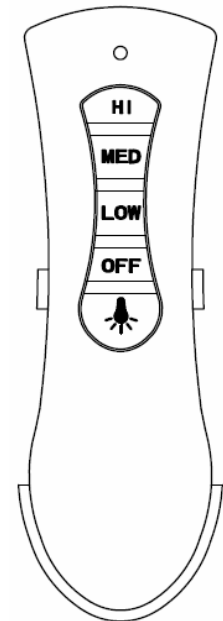


Abb. 15b

## RÜCKWÄRTSLAUFSCHALTER (Abb. 16)

Ihr Deckenventilator kann im Sommer- oder Winter-Modus betrieben werden.

**SOMMER-Modus:** Stellen Sie den Rückwärtslauf-Schalter in die SUMMER-Position, um den Ventilator gegen den Uhrzeigersinn zu betreiben. Der Luftstrom wird nach unten geleitet, um im Sommer zu kühlen.

**WINTER-Modus** Stellen Sie den Rückwärtslauf-Schalter in die WINTER-Position, um den Ventilator im Uhrzeigersinn zu betreiben. Der Luftstrom wird nach oben geleitet, und unterstützt so die Zirkulation warmer Luft, wodurch im Winter Energie gespart werden kann.

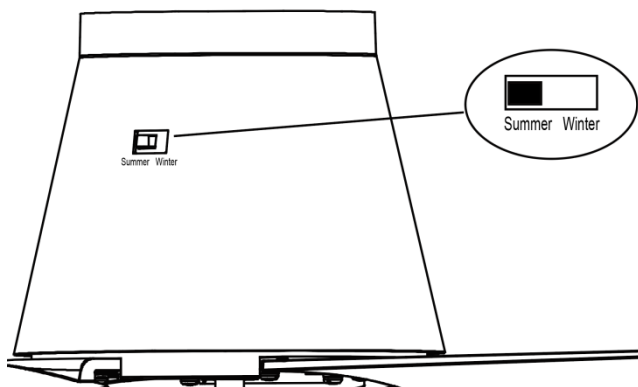
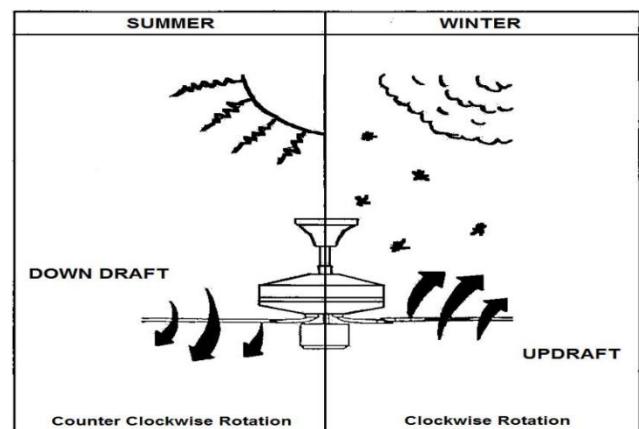


Abb. 16



<b>SUMMER</b>	<b>SUMMER</b>
<b>WINTER</b>	<b>WINTER</b>
<b>DOWN DRAFT</b>	<b>ABWIND</b>
<b>UPDRAFT</b>	<b>AUFWIND</b>
<b>Counter Clockwise Rotation</b>	<b>Drehrichtung gegen den Uhrzeigersinn</b>
<b>Clockwise Rotation</b>	<b>Drehrichtung im Uhrzeigersinn</b>

**NACH DER INSTALLATION****UNRUNDE BEWEGUNG:**

HINWEIS: Deckenventilatoren laufen während des Betriebs häufig unrund, da sie auf einer Gummidichtung montiert sind. Wenn der Ventilator fest an der Zimmerdecke montiert wäre, würde er übermäßige Vibrationen erzeugen. Eine Pendelbewegung von einigen Zentimetern ist völlig normal und weist NICHT auf ein Problem hin.

**REDUZIEREN DER VENTILATORUNWUCHT:** Prüfen Sie bitte, ob alle Schrauben, die die Halterung und die Deckenstange fixieren, angezogen sind.

**GERÄUSCHE:**

In einer ruhigen Umgebung (insbesondere nachts) hören Sie eventuell hier und da leise Geräusche. Leichte Stromschwankungen und Frequenzsignale, die zwecks Warmwasserregulierung außerhalb der Hauptlastzeiten eingeblendet werden, können das Motorgeräusch des Ventilators verändern. Dies ist normal. Bitte haben Sie Geduld. Nach einer „Einlaufzeit“ von 24 Stunden, verschwinden die meisten durch einen neuen Ventilator erzeugten Geräusche.

Die Herstellergarantie deckt reale Mängel ab, die auftreten können, jedoch KEINE geringfügigen Beanstandungen, wie zum Beispiel ein hörbar laufender Motor – alle elektrischen Motoren sind bis zu einem gewissen Maß zu hören.

**PFLEGE UND REINIGUNG**

**HINWEIS: Schalten Sie vor der Reinigung des Ventilators die Stromversorgung immer am Hauptschalter AUS.**

- Die regelmäßige halbjährliche Reinigung Ihres Deckenventilators ist die einzige Wartung, die erforderlich ist. Benutzen Sie eine weiche Bürste oder ein fusselfreies Tuch, um zu verhindern, dass die Lackierung zerkratzt wird. Bitte schalten Sie die Stromversorgung aus, wenn Sie das Gerät reinigen.
- Tauchen Sie den Deckenventilator NICHT in Wasser oder andere Flüssigkeiten ein. Dadurch könnten der Motor oder die Rotorblätter beschädigt werden und möglicherweise ein Stromschlag verursacht werden.
- Achten Sie darauf, dass der Beleuchtungskörper nicht mit organischen Lösungsmitteln oder Reinigungsmitteln in Berührung kommt.
- Wischen Sie die Rotorblätter nur mit einem feuchten Tuch OHNE organische Lösungsmittel oder Reinigungsmittel sauber.
- Der Motor ist mit einem dauergeschmierten Kugellager versehen. Er muss also nicht geschmiert werden.



## SICHERHEITSVORKEHRUNGEN FÜR BATTERIEN

- **WARNUNG** – Halten Sie neue und gebrauchte Batterien von Kindern fern.
- **VORSICHT** - Batterie nicht verschlucken – Verätzungsgefahr.
- Verwenden Sie mit dieser Deckenventilator-Fernbedienung immer zwei AAA-Batterien.
- Achten Sie darauf, dass die Batterien mit der richtigen Polarität eingelegt sind.
- Um Fehlbedienungen beim Einsetzen oder Auswechseln der Batterie zu vermeiden, muss der Deckenventilator vom Stromnetz getrennt werden.
- Entfernen Sie die Batterien aus dem Gerät, wenn Sie es über einen längeren Zeitraum nicht benutzen.
- Die Batterien müssen aus dem Handsender entfernt werden, bevor er entsorgt wird.
- Entsorgen Sie verbrauchte Batterien sofort und sicher (sodass sie von Kindern nicht gefunden werden können). Leere Batterien können weiterhin gefährlich sein. Wenden Sie sich an Ihre örtliche Gemeindeverwaltung, um die Batterie sicher zu entsorgen.
- Überprüfen Sie das Produkt regelmäßig und vergewissern Sie sich, dass der Deckel des Batteriefachs richtig befestigt ist. Wenn sich das Batteriefach nicht korrekt schließen lässt, stellen Sie den Gebrauch des Gerätes ein und halten Sie es von Kindern fern.

## TECHNISCHE DATEN

Ventilator	48-Zoll-Ventilator – Aria CTC
Ventilatormodell/Artikelnummer (Wandschalter ohne Beleuchtung)	ARIA CTC/ ARTIKELNR. 212999, 213000
Ventilatormodell/Artikelnummer (Fernbedienung mit Beleuchtung)	ARIA CTC L/ARTIKELNR. 213001, 213002
Nennspannung	220-240 V~ 50 Hz
Nennleistung (Motor)	50 W
Nennleistung (Beleuchtungsset)	18 W, 1.100 LM, 3.000K, dimmbar (3-stufiges Dimmen)
Gewicht	5,0 kg
Maße des Baldachins	H: 95 mm Durchmesser: 130 mm

## GARANTIEINFORMATIONEN

**IN AUSTRALIEN / NEUSEELAND** - Bitte beachten Sie die gesonderte GARANTIEERKLÄRUNG.

**IN EUROPA** – Wenn Sie ein europäischer Kunde sind, wenden Sie sich bitte an das Geschäft, in dem der Ventilator gekauft wurde, um Garantieleistungen in Anspruch zu nehmen.




# F

## MERCI POUR VOTRE ACHAT

Merci d'avoir acheté ce produit de qualité Lucci. Afin de garantir un fonctionnement correct et sûr, veuillez lire attentivement et respecter toutes les consignes avant d'assembler, d'installer et d'utiliser ce ventilateur de plafond. Veuillez conserver ces consignes pour pouvoir les consulter ultérieurement.

## CONSIGNES DE SÉCURITÉ

1. En Europe : Cet appareil peut être utilisé par des enfants âgés de plus de 8 ans et des personnes ayant des capacités physiques, sensorielles et mentales réduites ou un manque d'expérience et de connaissances si elles sont surveillées ou si elles ont reçu les instructions concernant l'utilisation sécurisée de l'appareil et si elles comprennent les dangers encourus. Le nettoyage et l'entretien ne doivent pas être effectués par des enfants sans surveillance.
2. En Australie : Cet appareil peut être utilisé par des personnes (y compris des enfants) ayant des capacités physiques, sensorielles et mentales réduites ou un manque d'expérience et de connaissances si elles sont surveillées ou si elles ont reçu les instructions concernant l'utilisation de l'appareil par une personne responsable de leur sécurité.
3. Il convient de surveiller les enfants pour s'assurer qu'ils ne jouent pas avec l'appareil.
4. Un commutateur de déconnexion multipolaire doit être intégré dans le câblage fixe, conformément aux règles de câblage locales.
5.  Ne jetez pas les appareils électriques avec les ordures ménagères, utilisez des points de collecte séparés. Contactez les autorités locales pour connaître les systèmes de collecte disponibles. Si des appareils électriques sont envoyés en décharges légales ou illégales, des substances dangereuses peuvent fuir dans les nappes phréatiques et entrer dans la chaîne alimentaire, nuisant ainsi à votre santé et à votre bien-être.
6. La structure sur laquelle le ventilateur est fixé doit être capable de supporter un poids de 30 kg.
7. Le ventilateur doit être fixé de sorte que les pales soient à au moins 2,3 m au-dessus du sol en Europe ou 2,1 m au-dessus du sol en Australie.
8. Ce ventilateur convient pour une utilisation en intérieur, en plein air et dans des régions côtières à condition d'être dans un emplacement entièrement couvert avec 1 mur minimum. Ce ventilateur n'est pas étanche. En cas d'installation dans une région côtière ou en plein air, le ventilateur de plafond doit être placé dans un emplacement à l'abri de l'eau, du vent et de la poussière. L'exposition aux éléments susmentionnés entraîne l'annulation de la garantie. Fixer le ventilateur à un emplacement sujet à de l'eau ou de l'humidité est dangereux, peut augmenter le risque de dommage, de blessure ou de choc électrique et annule la garantie.
9. Ce produit doit être assemblé et installé par un électricien agréé.



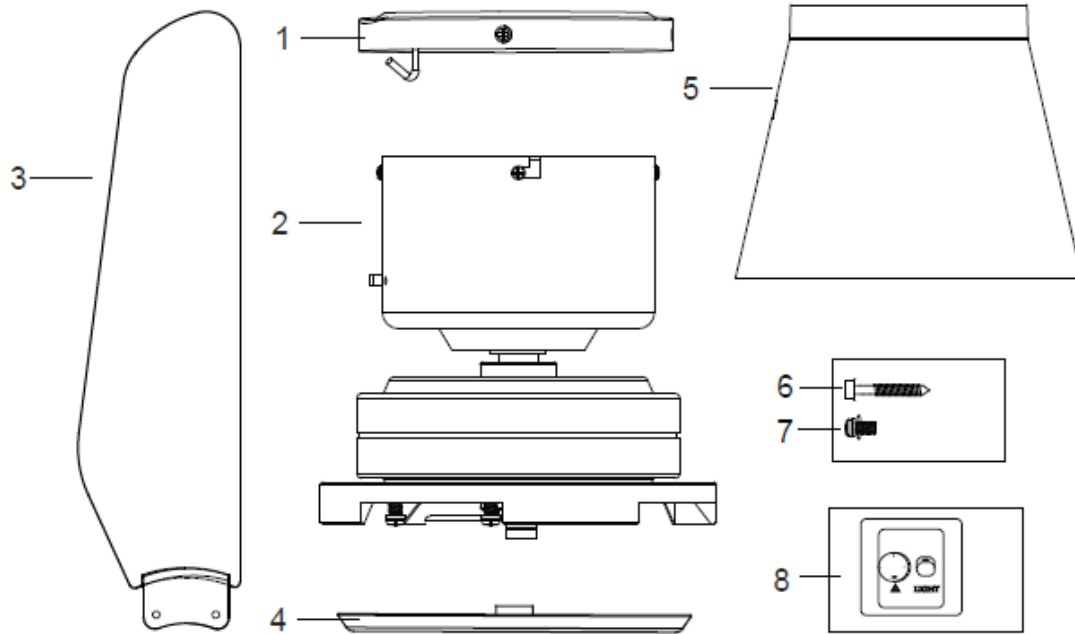
10. AVERTISSEMENT : Si vous observez des tremblements ou des oscillations inhabituels, arrêtez immédiatement d'utiliser le ventilateur de plafond et contactez le fabricant, son agent de maintenance ou une personne dûment qualifiée.
11. Le remplacement de pièces du dispositif de suspension de sécurité doit être effectué par le fabricant, son agent de maintenance ou une personne dûment qualifiée.
12. Les moyens de fixation au plafond tels que des crochets ou d'autres dispositifs doivent être fixés avec suffisamment de résistance pour supporter 4 fois le poids du ventilateur de plafond ; le montage du système de suspension doit être effectué par le fabricant, son agent de maintenance ou une personne dûment qualifiée.

### LISTE DES PIÈCES

- Déballez soigneusement votre ventilateur. Enlevez toutes les pièces et la quincaillerie.
- Étalez toutes les pièces sur une surface lisse et vérifiez qu'il n'en manque aucune avant de commencer le montage. Si des pièces sont manquantes, ramenez le produit dans son intégralité au point de vente afin qu'il soit inspecté ou remplacé.
- Vérifiez que le ventilateur de plafond n'a pas été endommagé pendant le transport. N'utilisez/n'installez pas un produit présentant des dommages de quelque nature que ce soit. Retournez le produit dans son intégralité à l'endroit où vous l'avez acheté afin qu'il soit contrôlé, réparé ou remplacé.
- Examinez l'ensemble des pièces, vous devez avoir les pièces indiquées dans la liste suivante et sur la figure 1 :

Ventilateur à commande murale (sans kit d'éclairage) (N° UGS 212999 & 213000)		Ventilateur à télécommande (avec kit d'éclairage) (N° UGS 213001 & 213002)	
1	Support de montage x 1	1	Support de montage x 1
2	Kit d'assemblage du moteur x 1	2	Kit d'assemblage du moteur x 1
3	Pales x 4	3	Pales x 4
4	Couvercle inférieur du bloc moteur x 1	4	Lampe LED x 1
5	Couvercle du boîtier du moteur x 1	5	Couvercle du boîtier du moteur x 1
6	Vis de montage x 4	6	Vis de montage x 4
7	Vis de rechange pour les pales du ventilateur x 1	7	Vis de rechange pour les pales du ventilateur x 1
8	Interrupteur mural x 1	8	Télécommande émettrice et récepteur x 1 kit

Ventilateur à commande murale (sans kit d'éclairage) n°SKU 212999 et 213000



Ventilateur à télécommande (avec kit d'éclairage) n°SKU 213001 et 213002

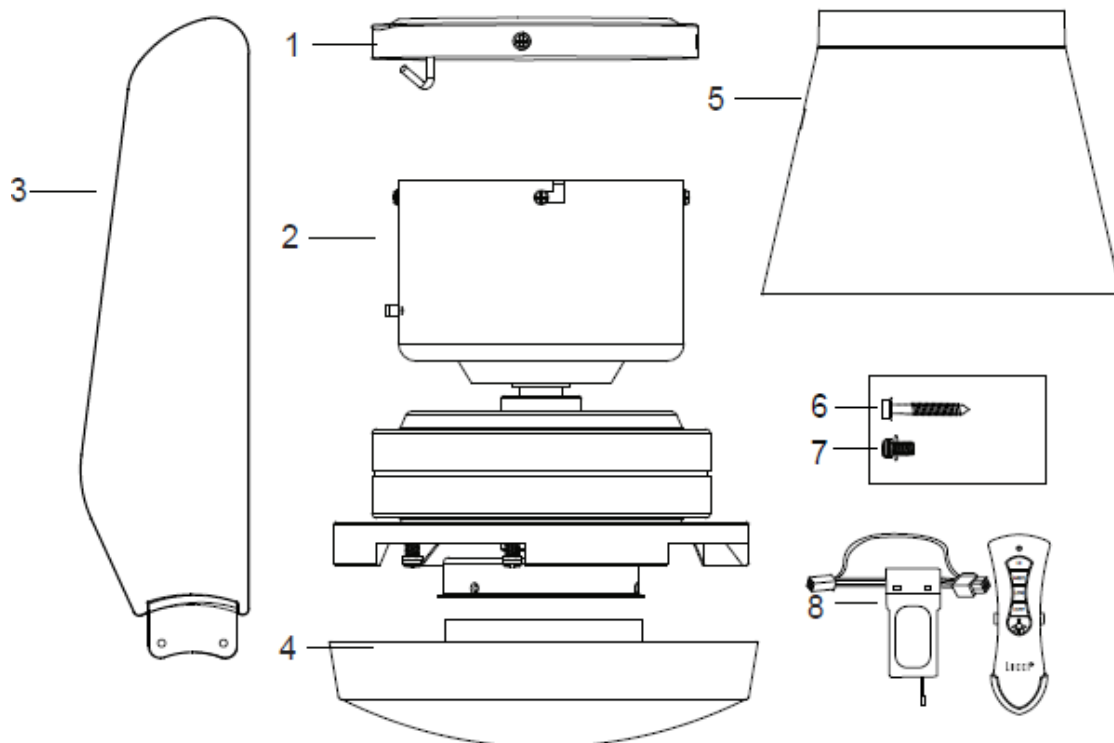


Fig. 1



## INSTALLATION DU SUPPORT DE MONTAGE

- Le ventilateur de plafond doit être installé dans un endroit où les pales seront éloignées d'au moins 30 cm de tout objet ou mur.
- Installez le support de suspension sur une solive ou une structure capable de supporter une charge d'au moins 20 kg avec les 4 vis longues fournies. Veillez à ce qu'au moins 3 cm des vis soient vissés dans le support. (Fig. 2)

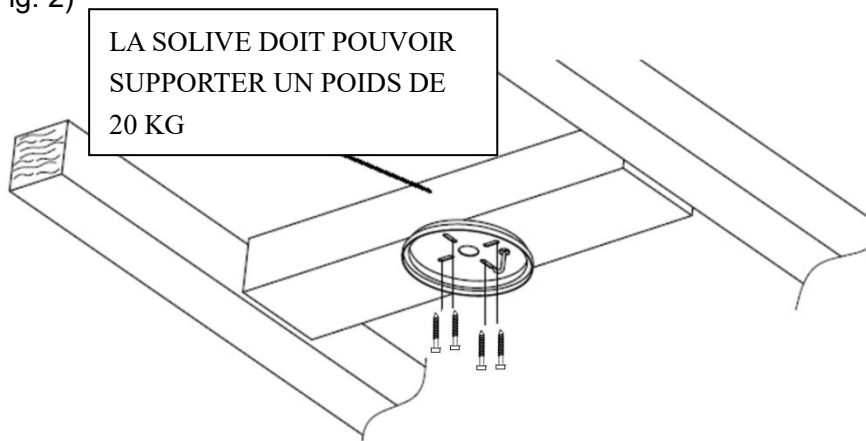


Fig. 2

**REMARQUE :** Les vis de support fournies conviennent uniquement pour les structures en bois. Pour les structures autres que du bois, un type de vis approprié doit être utilisé. Veillez à ce que les vis utilisées soient adaptées à la surface de montage et à l'environnement.

## INSTALLATION SUR PLAFOND INCLINÉ

Ce système de suspension de ventilateur **NE PERMET PAS** une installation sur un plafond incliné.

## SUSPENSION DU VENTILATEUR AU BLOC MOTEUR

- Installez le boîtier du moteur (1) sur le bloc moteur. (Fig.3)
- Soulevez le ventilateur complet pour le placer sur le support de montage. Accrochez le ventilateur complet sur le crochet J (2) du support de montage. (Fig. 4)
- Effectuez les branchements électriques requis, voir section « SCHÉMA DE CÂBLAGE ÉLECTRIQUE » ci-après.

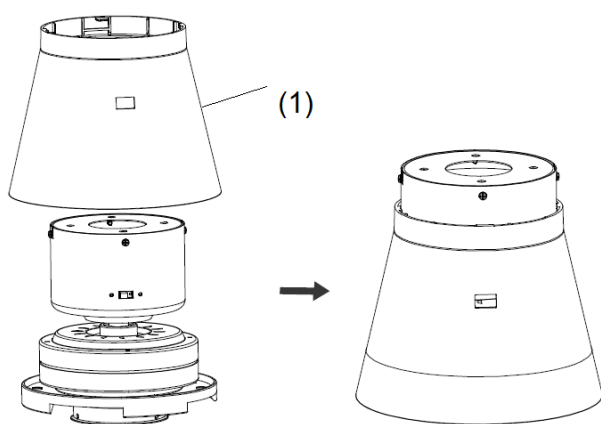


Fig. 3

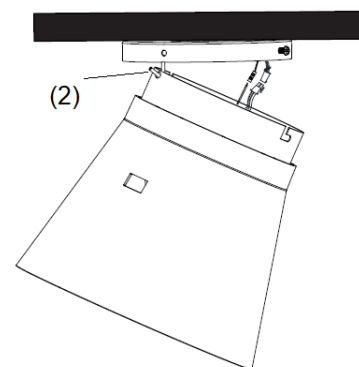


Fig. 4



## CÂBLAGE ÉLECTRIQUE DU VENTILATEUR

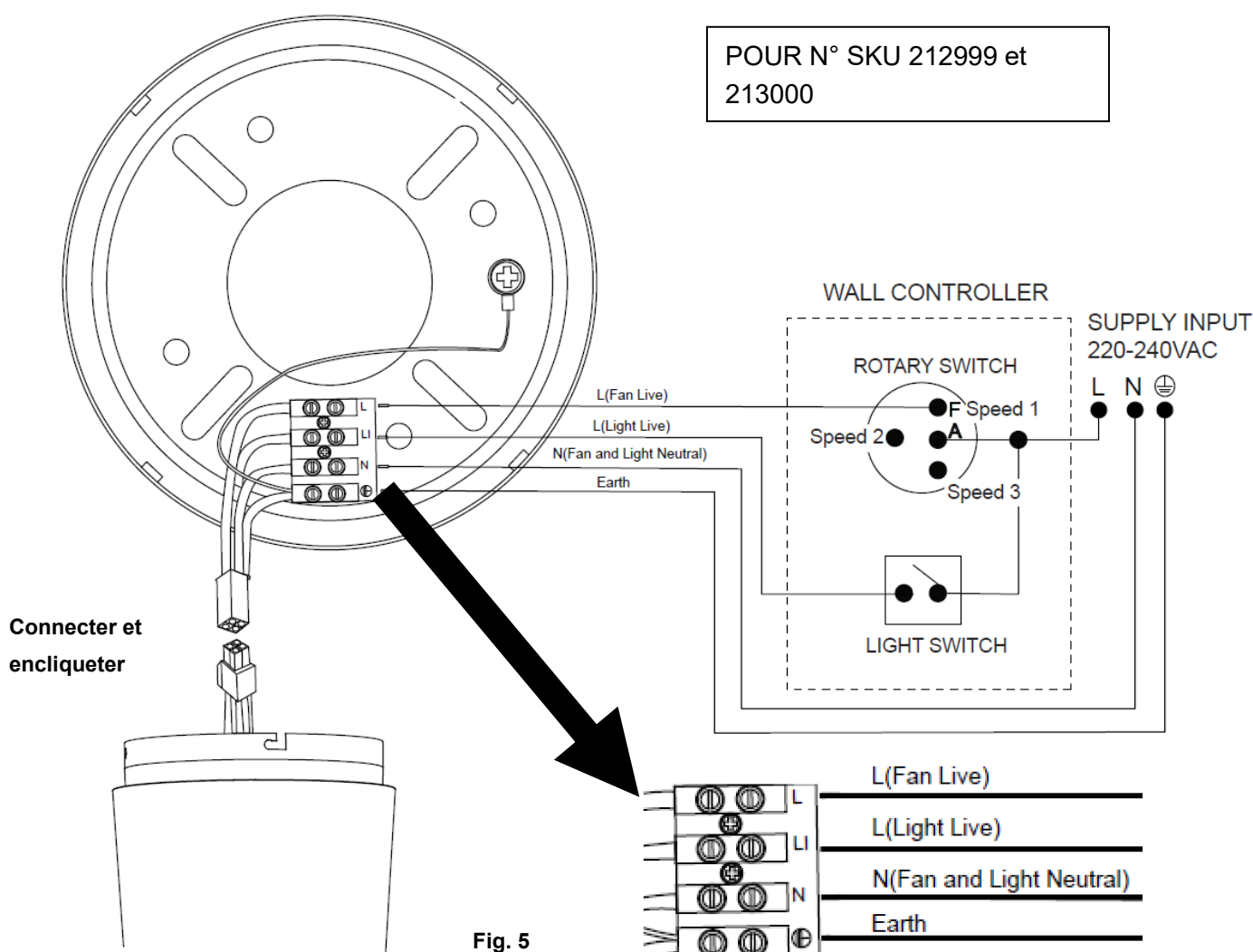
**AVERTISSEMENT :** POUR VOTRE SÉCURITÉ, TOUS LES RACCORDEMENTS ÉLECTRIQUES DOIVENT ÊTRE EFFECTUÉS PAR UN ÉLECTRICIEN AGRÉÉ.

**REMARQUE :** UN COMMUTATEUR DE DÉCONNEXION MULTIPOLAIRE SUPPLÉMENTAIRE DOIT ÊTRE INCLUS DANS LE CÂBLAGE FIXE.

**REMARQUE :** Le schéma de câblage comprend le câblage du kit d'éclairage. L'interrupteur et le schéma de câblage de l'éclairage sont omis si aucun kit d'éclairage n'est utilisé avec le ventilateur de plafond.

### MODÈLES AVEC SCHÉMA DE CÂBLAGE DE COMMANDE MURALE (Fig.5) :

- Raccordez les fils L, N et R au bornier du support de montage de la manière indiquée sur le schéma ci-après, Fig. 5. Remarque : Ignorez la partie concernant le câblage du kit d'éclairage, car ce modèle n'en a pas.
- Raccordez les connecteurs rapides du ventilateur et du support de montage, en veillant à bien les verrouiller.



SUPPLY INPUT 220-240VAC	ENTRÉE D'ALIMENTATION 220 – 240 V CA
WALL CONTROLLER	COMMANDE MURALE
ROTARY SWITCH	BOUTON ROTATIF
Speed 1	Vitesse 1
Speed 2	Vitesse 2
Speed 3	Vitesse 3
LIGHT SWITCH	INTERRUPTEUR D'ÉCLAIRAGE
L (Fan Live)	L (Phase du ventilateur)
L (Light Live)	L (Phase de l'éclairage)
N (Fan and Light Neutral)	N (Neutre du ventilateur et de l'éclairage)
Earth	Terre

### **MODÈLES AVEC SCHÉMA DE CÂBLAGE DE TÉLÉCOMMANDE (Fig. 6) :**

- Raccordez les fils L, N et R au bornier du support de montage de la manière indiquée sur le schéma ci-après, Fig. 6.
- Raccordez les connecteurs rapides du support de montage (1) et du récepteur de la télécommande (2), en veillant à bien les verrouiller.
- Raccordez les connecteurs rapides du récepteur de la télécommande (3) et du ventilateur (4), en veillant à bien les verrouiller.
- Placez le récepteur de la télécommande dans la cavité du capot de suspension du bloc moteur, avec le reste du câblage interne.



POUR N° SKU 213001 et 213002

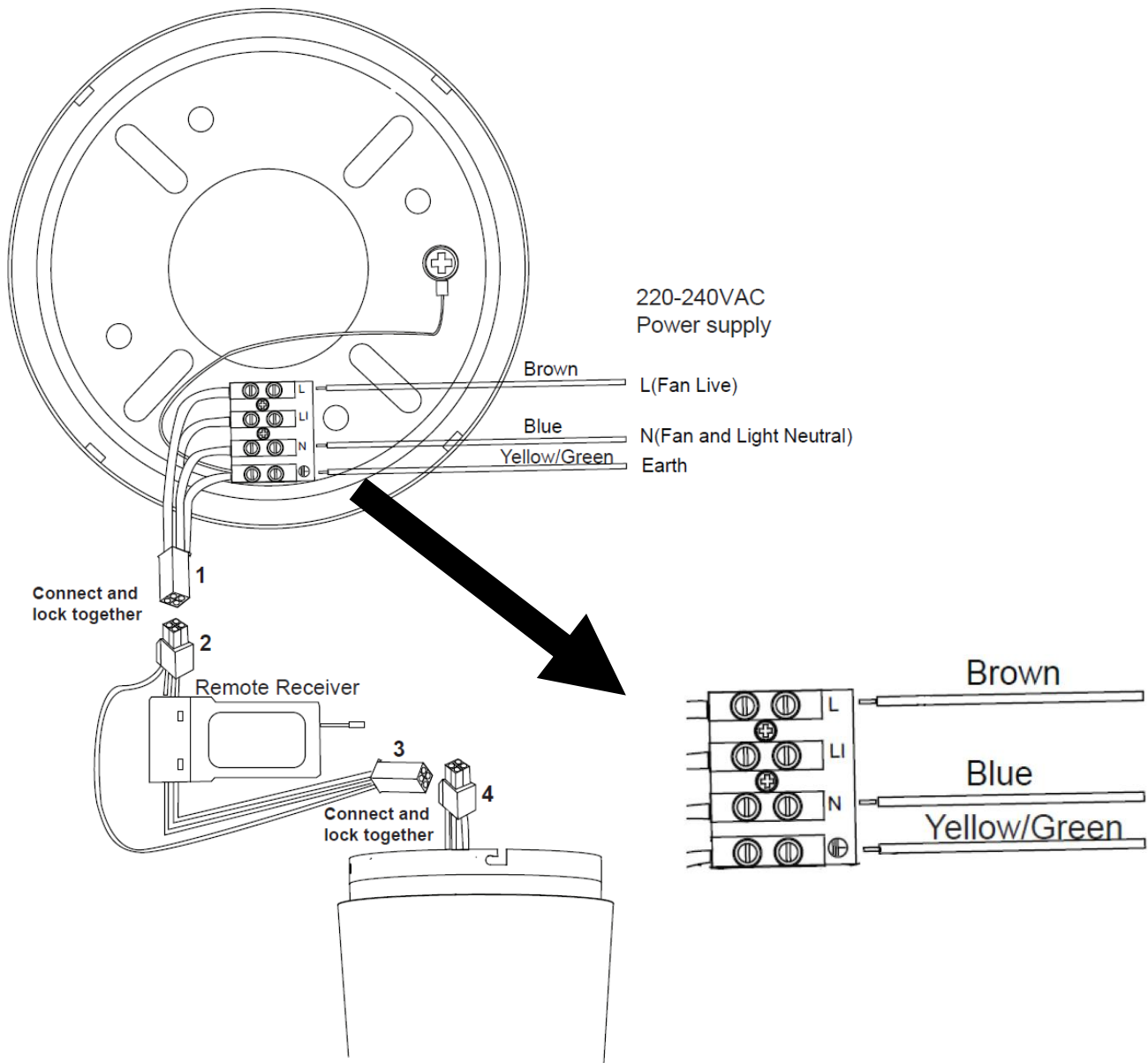


Fig. 6

Brown	Marron
Blue	Bleu
Yellow/Green	Jaune/vert
220-240VAC Power supply	Alimentation électrique 220-240 V CA
Remote Receiver	Récepteur

This fan is suitable for indoor, alfresco and coastal areas where the fan is fully undercover with a minimum of 1 walls. This fan is not waterproof. When installed in an alfresco or coastal area, the ceiling fan must be positioned in a location protected from water, wind and dust. Exposure to these elements will void the warranty. Mounting the fan in a situation where it is subject to water or moisture is dangerous.

## INSTALLATION DU VENTILATEUR COMPLET SUR LE SUPPORT DE MONTAGE

- Une fois terminés les raccordements électriques du bornier du support de montage :
  - **Ventilateur sans** kit d'éclairage et récepteur de télécommande : reliez le câblage du ventilateur via le connecteur rapide ;
  - **Ventilateur avec** kit d'éclairage et récepteur de télécommande : reliez le récepteur de la télécommande et le ventilateur via le connecteur rapide ;
- Assurez-vous que le câblage à la terre est sécurisé et bien fait, en effectuant un test de continuité de mise à la terre du corps en métal accessible du ventilateur à la borne de la terre du bornier sur le support de montage.

Installation du ventilateur complet sur le support de montage (Fig.7)

- Le support de montage comporte 4 vis préinstallées :
  - Dévissez les 2 vis à rondelle en étoile (2) du support de montage de la moitié du pas de vis. (Pour permettre le montage de l'encoche en L sur le cache de fixation).
  - Dévissez les 2 vis du cache de fixation (1) et enlevez-les du support de montage.
- Soulevez le capot de suspension du ventilateur complet jusqu'au support de montage et laissez l'encoche en L du capot de suspension passer par les vis à rondelle en étoile (2).
- Tournez le capot de suspension jusqu'à ce qu'il se verrouille en position à l'extrémité de l'encoche en L, en veillant à intercaler la rondelle en étoile entre le capot de suspension (3) et la tête de la vis. Fixez-le en serrant les 2 vis à rondelle en étoile (2).
- Vissez et serrez les vis du cache de fixation (1) sur le support de montage. Le capot de suspension (3) possède 4 vis (1) et (2) au total. Lors de la suspension du cache de fixation, faites attention à ne pas endommager le câblage électrique préparé précédemment.
- Enfin, attachez le couvercle du capot (4) sur le support de montage, fixez-le en poussant les crochets du couvercle du capot dans les trous de la fente du capot de suspension et tournez-le dans le sens inverse des aiguilles d'une montre.

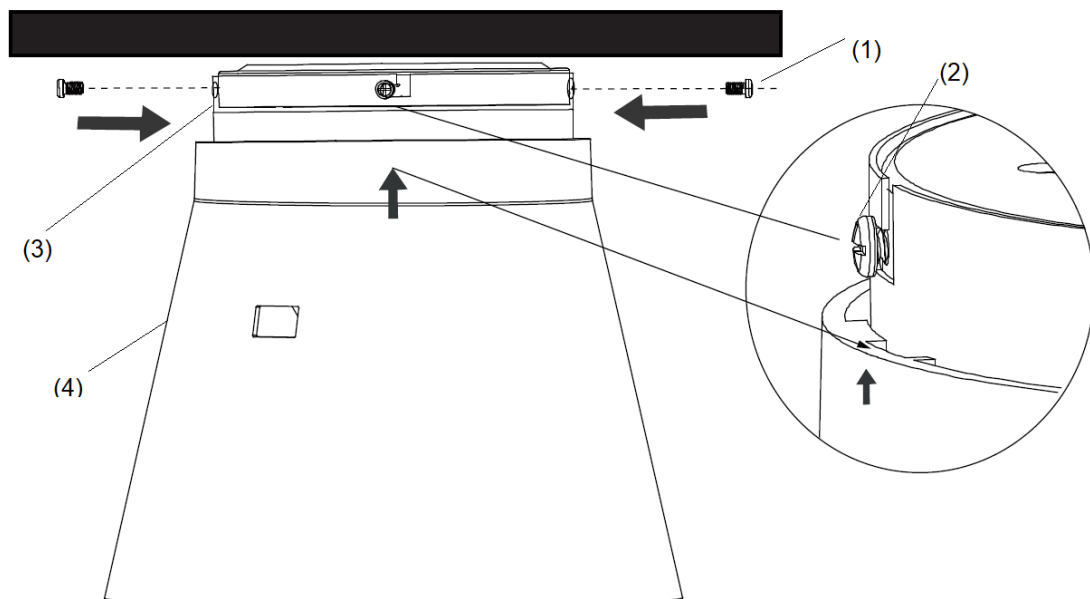


Fig. 7

## INSTALLATION DES PALES DU VENTILATEUR ET DU KIT D'ÉCLAIRAGE

### **FIXATION DES PALES (Fig. 8)**

1. Avant de procéder à l'installation des pales, enlevez les vis des pales ainsi que les rondelles plates du dessous du moteur.
2. Alignez les 2 trous des pales avec les 2 trous du rotor du bloc moteur, puis fixez les pales au bloc moteur à l'aide des 2 vis de l'étape 1.  
Veillez à serrer toutes les vis uniformément afin de réduire le risque de déséquilibre et de déformation. Ne les serrez pas excessivement, car cela peut endommager les pales).
3. Une fois terminé, répétez l'opération sur les pales restantes.

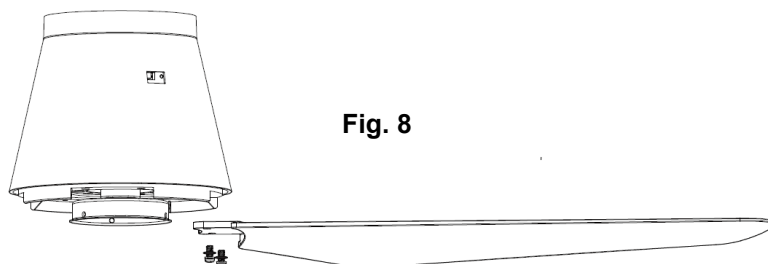


Fig. 8

### **INSTALLATION DU COUVERCLE INFÉRIEUR (VENTILATEUR SANS ÉCLAIRAGE Fig. 9)**

Fixez le couvercle inférieur au ventilateur en le vissant dans le sens des aiguilles d'une montre.

POUR N° SKU 212999 et  
213000

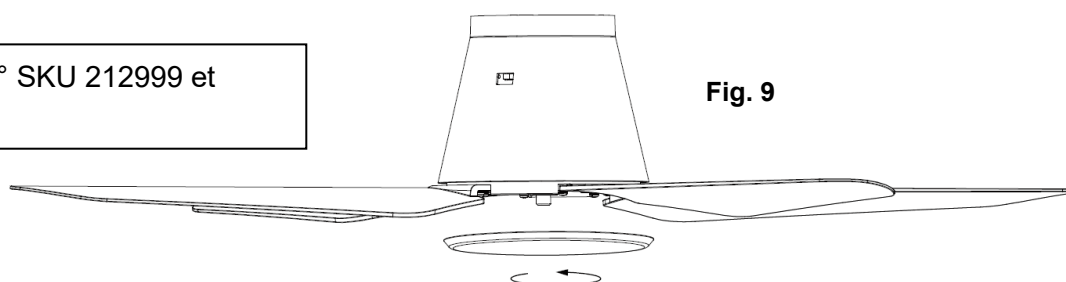


Fig. 9

### **INSTALLATION DU KIT ÉCLAIRAGE LED (VENTILATEUR AVEC ÉCLAIRAGE Fig. 10)**

- Assemblez la lampe LED sur le support de lampe et connectez les fils à la lampe avec les connecteurs rapides.
- Fixez le kit d'éclairage LED à la base de la lampe en le vissant dans le sens des aiguilles d'une montre. Veillez à ne pas croiser le filetage et à ne pas tordre ou endommager les fils.

POUR N° SKU 213001 et  
213002

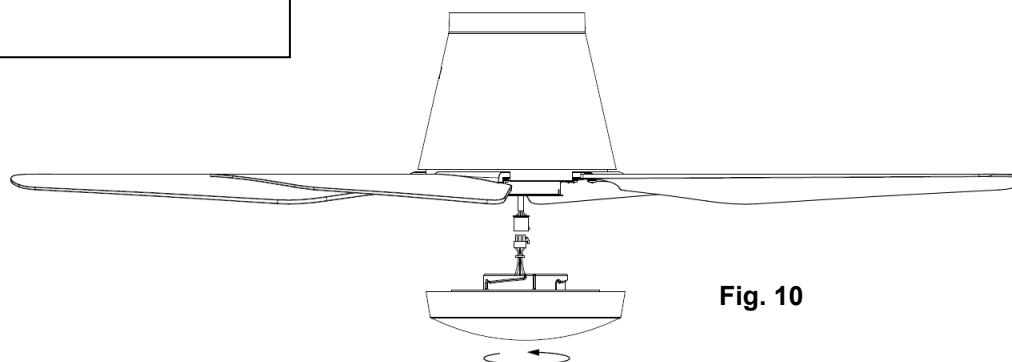


Fig. 10



## UTILISATION DE VOTRE VENTILATEUR DE PLAFOND – COMMANDE MURALE (n°SKU 212999 & 213000)

### COMMANDE MURALE DU VENTILATEUR (Fig. 11)

Mettez le ventilateur sous tension et vérifiez qu'il fonctionne.

- Position OFF – Ventilateur éteint
- 3e position – Vitesse lente du ventilateur
- 2e position – Vitesse intermédiaire du ventilateur
- 1re position – Vitesse rapide du ventilateur

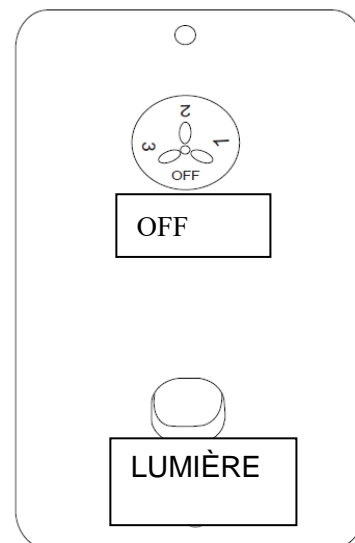


Fig. 11

### COMMANDE DE L'ÉCLAIRAGE (en option)

- Interrupteur à bascule marche/arrêt

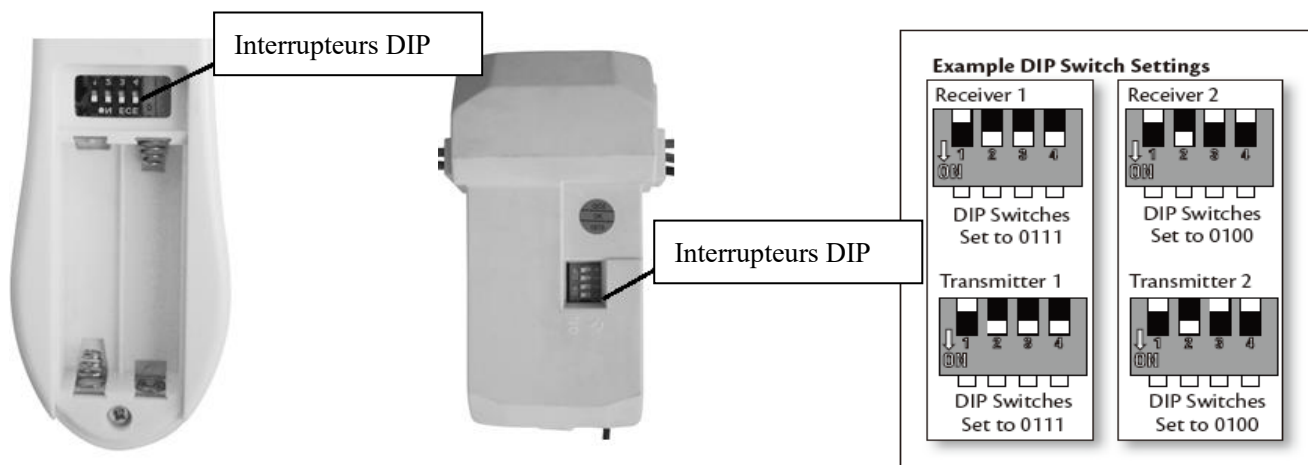
## UTILISATION DE VOTRE VENTILATEUR DE PLAFOND – TÉLÉCOMMANDE (n°SKU 213001 & 213002)

Ce ventilateur de plafond est contrôlé par la télécommande. L'appareil comporte 4 boutons (HI, MED, LOW, OFF) de contrôle de la vitesse du ventilateur, et un bouton marche/arrêt pour l'éclairage. **Fig. 14** Avant de commencer à utiliser la télécommande, veuillez noter les points suivants :

- La télécommande fonctionne avec 2 piles de types AAA 1,5V (taille). Ôtez le couvercle du compartiment situé derrière la télécommande, et installez 2 piles AAA. Assurez-vous que la polarité correspondant à celle indiquée dans le compartiment des piles. (**Fig. 12**) (Piles non fournies.)
- La télécommande (émetteur) et le récepteur doivent être configurés par appairage afin de pouvoir communiquer entre eux. Pour cela, mettez les interrupteurs DIP du récepteur et de la télécommande sur le même réglage. (**Fig. 13**)

Remarque : L'ensemble d'interrupteurs DIP comporte 4 interrupteurs permettant la configuration de 16 combinaisons différentes de codes de transmission. Ce système est pratique lorsqu'il y a plus d'1 paire télécommande/récepteur fonctionnant à proximité ou dans la même pièce.

**Remarque : Pour accéder aux interrupteurs DIP du récepteur, ôtez le couvercle indiqué.**



<b>Example DIP Switch Settings</b>	<b>Exemples de réglages des interrupteurs DIP</b>
<b>Receiver 1</b>	<b>Récepteur 1</b>
<b>DIP Switches Set to 0111</b>	<b>Interrupteurs DIP configurés sur 0111</b>
<b>Receiver 2</b>	<b>Récepteur 2</b>
<b>DIP Switches Set to 0100</b>	<b>Interrupteurs DIP configurés sur 0100</b>
<b>Transmitter 1</b>	<b>Télécommande 1</b>
<b>DIP Switches Set to 0111</b>	<b>Interrupteurs DIP configurés sur 0111</b>
<b>Transmitter 2</b>	<b>Télécommande 2</b>
<b>DIP Switches Set to 0100</b>	<b>Interrupteurs DIP configurés sur 0100</b>

Fig. 12 Compartiment des piles de la télécommande

Fig. 13 Interrupteur DIP du récepteur

**FONCTIONNEMENT DE LA TÉLÉCOMMANDE :**

Avant de commencer à utiliser la télécommande, prenez le temps de lire cette section et de vous familiariser avec les boutons et leurs fonctions.

**Témoin LED**

Le témoin LED rouge situé sur le dessus de l'émetteur clignote lorsque les boutons sont actifs.

**BOUTONS DE LA TÉLÉCOMMANDE**

**HI** : Appuyez sur ce bouton pour faire tourner le ventilateur à vitesse rapide.

**MED** : Appuyez sur ce bouton pour faire tourner le ventilateur à vitesse intermédiaire.

**LOW** : Appuyez sur ce bouton pour faire tourner le ventilateur à vitesse lente.

**OFF** : Appuyez sur ce bouton pour éteindre le ventilateur.



<b>LED indicator</b>	<b>Indicateur LED</b>
<b>Turn on the fan at high speed</b>	<b>Allumer le ventilateur à vitesse rapide</b>
<b>Turn on the fan at medium speed</b>	<b>Allumer le ventilateur à vitesse intermédiaire</b>
<b>Turn on the fan at low speed</b>	<b>Allumer le ventilateur à vitesse lente</b>
<b>Turn off the fan</b>	<b>Éteindre le ventilateur</b>
<b>Turn on / off the light</b>	<b>Allumer/éteindre l'éclairage</b>

## COMMANDE DE L'ÉCLAIRAGE



: Appuyez sur ce bouton pour allumer/éteindre l'éclairage.

La télécommande est équipée d'une fonction de mémoire. Si le ventilateur ou l'éclairage sont éteints par le sectionneur, l'appareil mémorise le dernier état de fonctionnement puis le restitue lorsqu'il est remis en marche.

Le kit d'éclairage LED comporte une fonction de modulation à 3 réglages contrôlée par un interrupteur marche/arrêt. Basculez l'interrupteur marche/arrêt vers le luminaire à 4 reprises pendant 5 secondes ; les ampoules s'allument dans l'ordre suivant :

Luminosité 100 % → Luminosité 60 % → Luminosité 10 % → Luminosité 100 %

Vous avez la possibilité de revenir à tout moment au niveau de luminosité de 100 % ; pour cela, éteignez l'éclairage, puis rallumez-le 5 secondes plus tard.

## INSTALLATION DU SUPPORT DE LA TÉLÉCOMMANDE (Fig. 15)

1. Repérez un mur adéquat ou autre surface pour fixer le support mural de la télécommande.
2. Enlevez le cache des vis, installez le support à l'aide des 2 vis puis remettez le cache en place. (Fig. 15a).
3. Emboîtez la télécommande dans le support. (Fig. 15b).

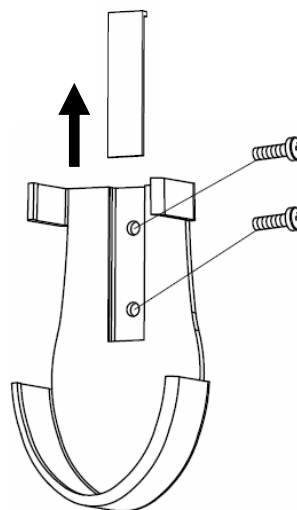


Fig. 15a

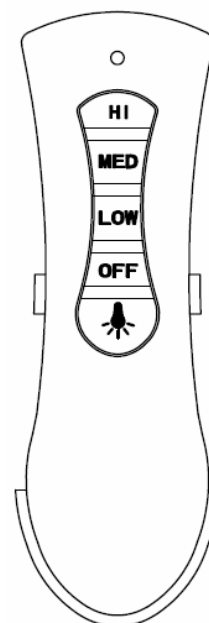


Fig. 15b

## INTERRUPTEUR D'INVERSION (Fig. 16)

Votre ventilateur de plafond peut fonctionner soit en mode été, soit en mode hiver.

**Mode ÉTÉ :** Mettez l'interrupteur d'inversion sur SUMMER (été) pour faire tourner le ventilateur dans le sens inverse des aiguilles d'une montre. Le flux d'air est dirigé vers le bas pour rafraîchir la pièce en été.

**Mode HIVER :** Mettez l'interrupteur d'inversion sur WINTER (hiver) pour faire tourner le ventilateur dans le sens des aiguilles d'une montre. Le flux d'air est dirigé vers le haut pour favoriser la circulation de l'air chaud et donc la conservation de l'énergie en hiver.

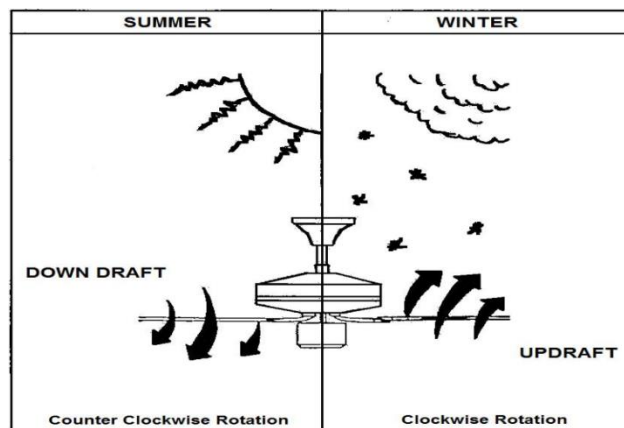
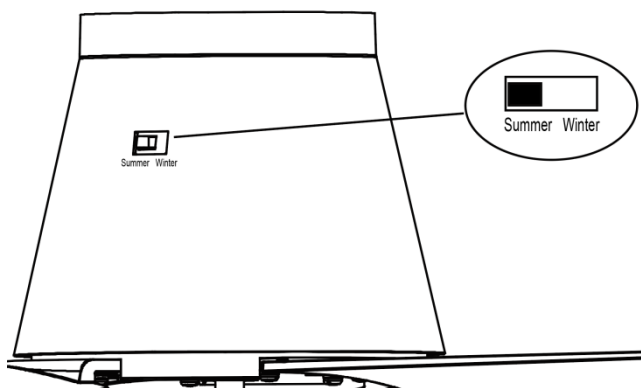


Fig. 16

<b>SUMMER</b>	<b>SUMMER</b>
<b>WINTER</b>	<b>WINTER</b>
<b>DOWN DRAFT</b>	<b>COURANT D’AIR VERS LE BAS</b>
<b>UPDRAFT</b>	<b>COURANT D’AIR VERS LE HAUT</b>
<b>Counter Clockwise Rotation</b>	<b>Rotation dans le sens inverse des aiguilles d’une montre</b>
<b>Clockwise Rotation</b>	<b>Rotation dans le sens des aiguilles d’une montre</b>

**APRÈS INSTALLATION**


**TREMBLEMENTS :**

REMARQUE : les ventilateurs de plafond ont tendance à bouger pendant leur fonctionnement, car ils sont montés sur un œillet en caoutchouc. Si le ventilateur était monté de façon rigide au plafond, cela causerait des vibrations excessives. Un mouvement de plusieurs centimètres est acceptable et N’INDIQUE PAS UN PROBLÈME.

**POUR RÉDUIRE LES TREMBLEMENTS DU VENTILATEUR :** Veuillez vérifier que toutes les vis qui fixent le support de fixation et la tige descendante sont bien serrées.

**BRUIT :**

Lorsque c’est calme (en particulier la nuit), il se peut que vous entendiez de faibles bruits occasionnels. De légères fluctuations de la puissance et des signaux de fréquence superposés dans l’électricité pour le contrôle de la production d’eau chaude en période creuse peuvent entraîner un changement dans le bruit du moteur du ventilateur. Ce phénomène est normal. Veuillez prévoir une période de rodage de 24 heures : la plupart des bruits associés à un ventilateur neuf disparaissent pendant cette période. La garantie du fabricant couvre les défauts réels susceptibles d’apparaître et NON les réclamations mineures telles que le bruit de fonctionnement du ventilateur : tous les moteurs électriques sont audibles dans une certaine mesure.



This fan is suitable for indoor, alfresco and coastal areas where the fan is fully undercover with a minimum of 1 walls. This fan is not waterproof. When installed in an alfresco or coastal area, the ceiling fan must be positioned in a location protected from water, wind and dust. Exposure to these elements will void the warranty. Mounting the fan in a situation where it is subject to water or moisture is dangerous.

**ENTRETIEN ET NETTOYAGE**

**REMARQUE : Coupez toujours l'alimentation au niveau de l'interrupteur secteur avant tout entretien ou toute tentative de nettoyage du ventilateur.**

- Le seul entretien requis est un nettoyage tous les 6 mois de votre ventilateur de plafond. Utilisez une brosse douce ou un chiffon non pelucheux pour éviter de rayer la peinture. Veuillez couper l'alimentation secteur lors de cette opération.
- Ne trempez pas ou ne plongez pas le ventilateur de plafond dans l'eau ou dans d'autres liquides. Cela pourrait endommager le moteur ou les pales et créer un risque de choc électrique.
- Assurez-vous que le luminaire n'entre pas en contact avec des solvants organiques ou des détergents.
- Pour nettoyer les pales du ventilateur, essuyez seulement avec un chiffon propre humide sans solvant organique ou détergent.
- Le moteur dispose d'un roulement à billes lubrifié en permanence, il n'y a donc pas besoin d'huile.

**CONSIGNES DE SÉCURITÉ POUR LES PILES**

- **AVERTISSEMENT** – Maintenez les piles neuves et usées hors de portée des enfants.
- **ATTENTION** : N'ingérez pas les piles, risque de brûlure chimique.
- Utilisez toujours 2 piles de type AAA avec la télécommande de ce ventilateur de plafond.
- Les piles doivent être insérées en respectant la bonne polarité.
- Afin d'éviter une erreur de manipulation pendant l'insertion ou le remplacement des piles, ce ventilateur de plafond doit être débranché de l'alimentation secteur.
- Retirez les piles du produit lorsqu'il n'est pas utilisé pendant longtemps.
- Les piles doivent être retirées de la télécommande avant d'être jetées.
- Mettez les piles usées au rebut sans délai et en toute sécurité (hors de portée des enfants). Les piles peuvent encore être dangereuses. Contactez les autorités locales pour éliminer en toute sécurité les piles.
- Vérifiez régulièrement le produit et assurez-vous que le couvercle du logement des piles est bien fermé. Si le logement des piles ne peut pas être fermé solidement, cessez d'utiliser le produit et maintenez-le hors de portée des enfants.



### INFORMATIONS TECHNIQUES

Ventilateur	Ventilateur 48" – Aria CTC
Modèles de ventilateur / N° UGS (Commande murale sans éclairage)	ARIA CTC / SKU# 212999, 213000
Modèles de ventilateur / N° UGS (Télécommande avec kit d'éclairage)	ARIA CTC L / SKU# 213001, 213002
Tension nominale	220-240 V~ 50Hz
Puissance nominale (moteur)	50 W
Puissance nominale (kit d'éclairage)	18W, 1100 LM, 3000K, modulable (3 réglages)
Poids	5,0 kg
Dimensions du cache de fixation	H : 95 mm    Dia : 130 mm

### INFORMATIONS SUR LA GARANTIE

**EN AUSTRALIE / NOUVELLE-ZÉLANDE** – Veuillez vous référer à la DÉCLARATION DE GARANTIE séparée.

**EN EUROPE** – Si vous êtes un client européen, veuillez contacter le magasin où ventilateur a été acheté afin de faire valoir la garantie.




# E

## GRAZIE PER L'ACQUISTO

Gracias por adquirir este producto de calidad Lucci. Para garantizar un funcionamiento correcto y seguro, lea y siga todas las instrucciones detenidamente antes de montar, instalar y usar este ventilador de techo. Por favor, guarde estas instrucciones para futuras consultas.

## MEDIDAS DE SEGURIDAD

1. En Europa: Este aparato puede ser utilizado por niños a partir de los 8 años o personas con merma física, sensoriales o mentales, o que no cuenten con suficiente experiencia o conocimientos, si son supervisados o han sido instruidos en el uso apropiado y seguro del aparato y entienden los peligros que acarrea. Las tareas de limpieza y mantenimiento no podrán ser realizadas por niños sin la debida supervisión.
2. En Australia: Este aparato no ha sido diseñado para ser utilizado por personas (incluido niños) con merma física, sensoriales o mentales, o que no cuenten con la experiencia o los conocimientos necesarios, a menos que sean supervisados o hayan sido instruidos en el uso apropiado del aparato por una persona responsable de su seguridad.
3. Se debe supervisar a los niños para asegurarse de que no juegan con el aparato.
4. El cableado fijo debe incorporar un interruptor de desconexión omnipolar, cumpliendo con el reglamento local sobre cableados eléctricos.
5.  No deseche los aparatos eléctricos como un desperdicio municipales sin clasificar; utilice los puntos de recogida o centros de reciclaje designados para este propósito. Póngase en contacto con la autoridad local para que le informe sobre los sistemas de recogida disponibles. De acabar en los vertederos o basureros, los aparatos eléctricos pueden desprender sustancias nocivas que podrían contaminar las capas freáticas y entrar en la cadena alimenticia, con el consecuente peligro para la salud y el bienestar.
6. La estructura a la que el ventilador debe montarse debe ser capaz de soportar 30 kg de peso.
7. El ventilador debe montarse de tal manera que las aspas estén, como mínimo, a 2,3 m del suelo en Europa o 2,1 m en Australia.
8. Este ventilador es apropiado para áreas de interior, al aire libre y litorales donde esté totalmente cubierto por un mínimo de 1 pared. Este ventilador no es resistente al agua. Cuando instale en un lugar al aire libre o en el litoral, el ventilador de techo debe ubicarse en un lugar protegido del agua, el viento y el polvo. La exposición a estos elementos invalidará la garantía. Montar el ventilador en un lugar donde esté expuesto al agua o la humedad es peligroso y puede aumentar el riesgo de daños, lesiones o descargas eléctricas, invalidando así la garantía.
9. Debe ser montado e instalado por un electricista acreditado.



10. ADVERTENCIA: Si se observa un movimiento inusual de oscilación o bamboleo, deje de usar el ventilador de techo inmediatamente y contacte con el fabricante, su agente de servicios o personas debidamente cualificadas.
11. El reemplazo de las piezas del sistema de suspensión de seguridad debe llevarlo a cabo el fabricante, su agente de servicios o personas debidamente cualificadas.
12. Los elementos para sujetarlo al techo, como ganchos u otros elementos, deberán fijarse con suficiente firmeza para sostener 4 veces el peso del ventilador de techo. El montaje del sistema de suspensión deberá efectuarlo el fabricante, su agente de servicios o personas debidamente cualificadas.

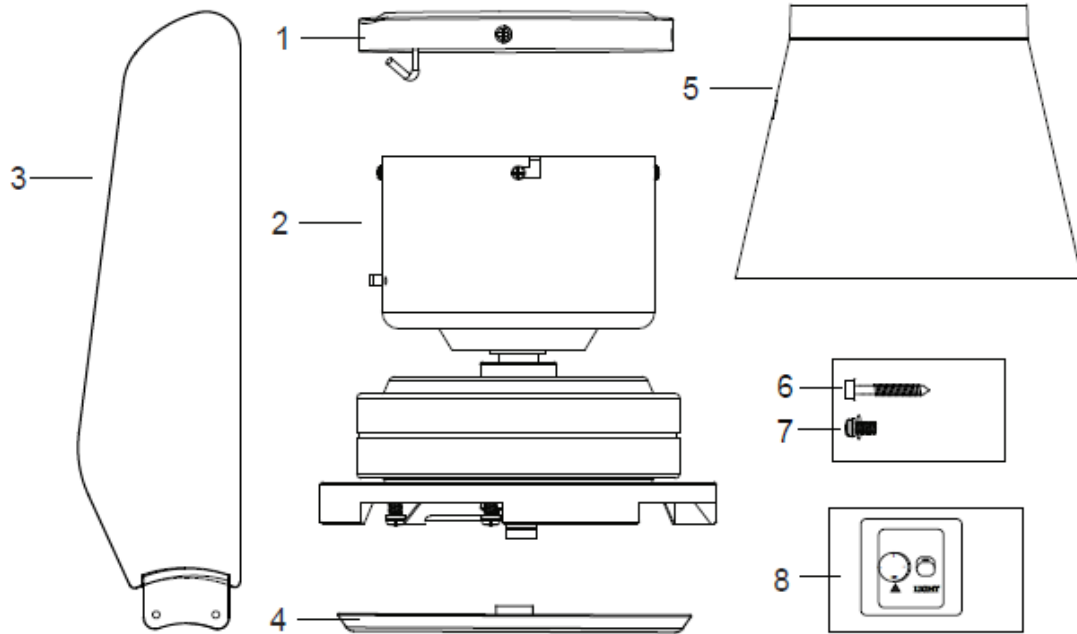
## LISTA DE PIEZAS

- Desembale el ventilador de techo con cuidado. Saque todas las piezas y la tornillería.
- Deposite todos los componentes sobre una superficie lisa y asegúrese de que no falte ninguno antes de comenzar el montaje. Si falta alguna pieza, devuelva el producto completo al lugar donde realizó la compra para que lo examinen o reemplacen.
- Compruebe que el ventilador de techo no haya sufrido algún daño durante el transporte. Nunca utilice o instale un producto que parezca sufrir algún daño. Devuelva el producto completo al lugar donde realizó la compra para que lo examinen, reparen o reemplacen.
- Compruebe que tiene todas las piezas que aparecen en la lista y la imagen 1:

Ventilador con controlador de pared (sin lámpara) (SKU# 212999 y 213000)		Ventilador con mando a distancia (con lámpara) (SKU# 213001 y 213002)	
1	Soporte x 1	1	Soporte x 1
2	Conjunto del motor x 1	2	Conjunto del motor x 1
3	Aspas x 4	3	Aspas x 4
4	Cubierta inferior del motor x 1	4	Lámpara led x 1
5	Cubierta de la carcasa del motor x 1	5	Cubierta de la carcasa del motor x 1
6	Tornillos de montaje x 4	6	Tornillos de montaje x 4
7	Tornillo de repuesto para las aspas x 1	7	Tornillo de repuesto para las aspas x 1
8	Interruptor de pared x 1 set	8	Receptor de la señal remota y mando a distancia x 1 set



Ventilador con controlador de pared (sin lámpara) SKU# 212999 y 213000



Ventilador con mando a distancia (con lámpara) SKU# 213001 y 213002

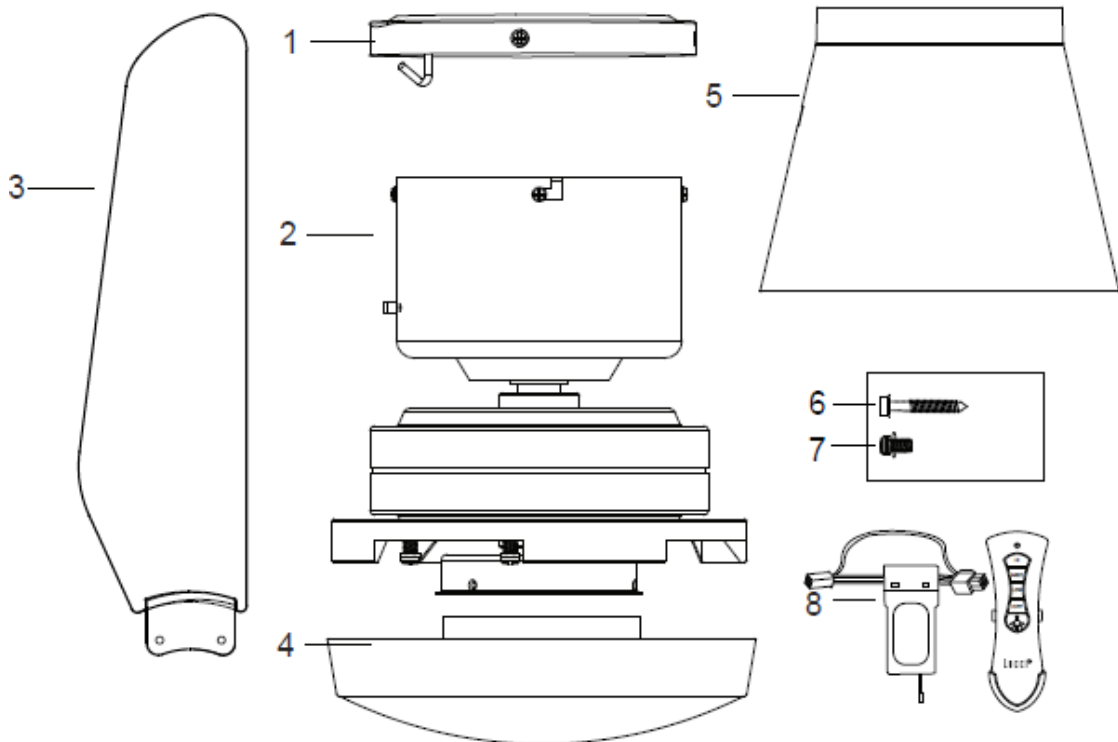
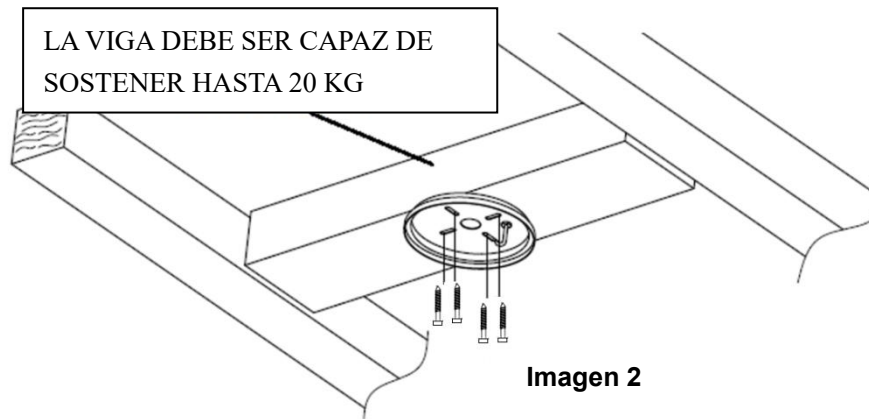


Imagen 1



## INSTALACIÓN DEL SOPORTE DE TECHO

- El ventilador de techo debe instalarse en un lugar donde los extremos de las aspas estén a 300 mm como mínimo de las paredes y demás objetos.
- Con los dos tornillos largos suministrados, instale el soporte a una viga o una estructura del techo capaz de soportar, al menos, 20 kg de peso con los 4 tornillos largos suministrados. Asegúrese de enroscar los tornillos 30 mm como mínimo en la estructura de soporte. (Imagen 2)



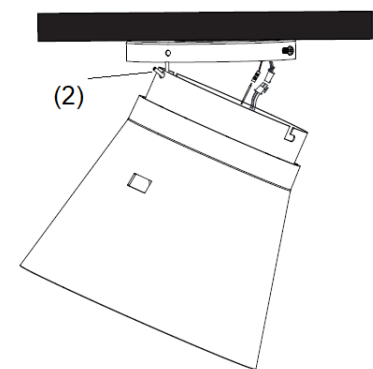
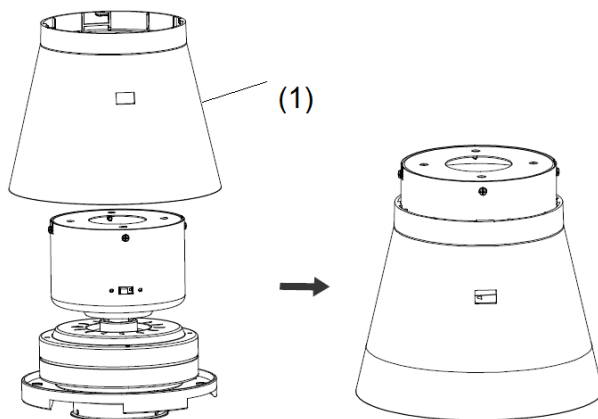
**NOTA:** Los tornillos incluidos con el soporte solo son aptos para usarse con estructuras de madera. Para estructuras diferentes a la madera, **DEBE** utilizarse un tornillo del tipo adecuado. Asegúrese de que los tornillos sean los apropiados para la superficie de montaje y sus alrededores.

### INSTALACIÓN EN UN TECHO INCLINADO

Este ventilador con sistema colgante **NO** se puede instalar en un techo inclinado.

## CÓMO COLGAR EL VENTILADOR AL CONJUNTO DEL MOTOR

- Instale la carcasa del motor (1) al conjunto del motor (imagen 3).
- Levante el conjunto del ventilador y móntelo en el soporte. Levante el conjunto del ventilador y móntelo en el gancho en «J» (2) (imagen 4).
- Complete el cableado eléctrico siguiendo el apartado *DIAGRAMA DEL CABLEADO ELÉCTRICO* más abajo.



**DIAGRAMA DEL CABLEADO ELÉCTRICO DEL VENTILADOR**

**ADVERTENCIA:** POR SU PROPIA SEGURIDAD, TODAS LAS CONEXIONES ELÉCTRICAS DEBERÁ REALIZARLAS UN ELECTRICISTA ACREDITADO.

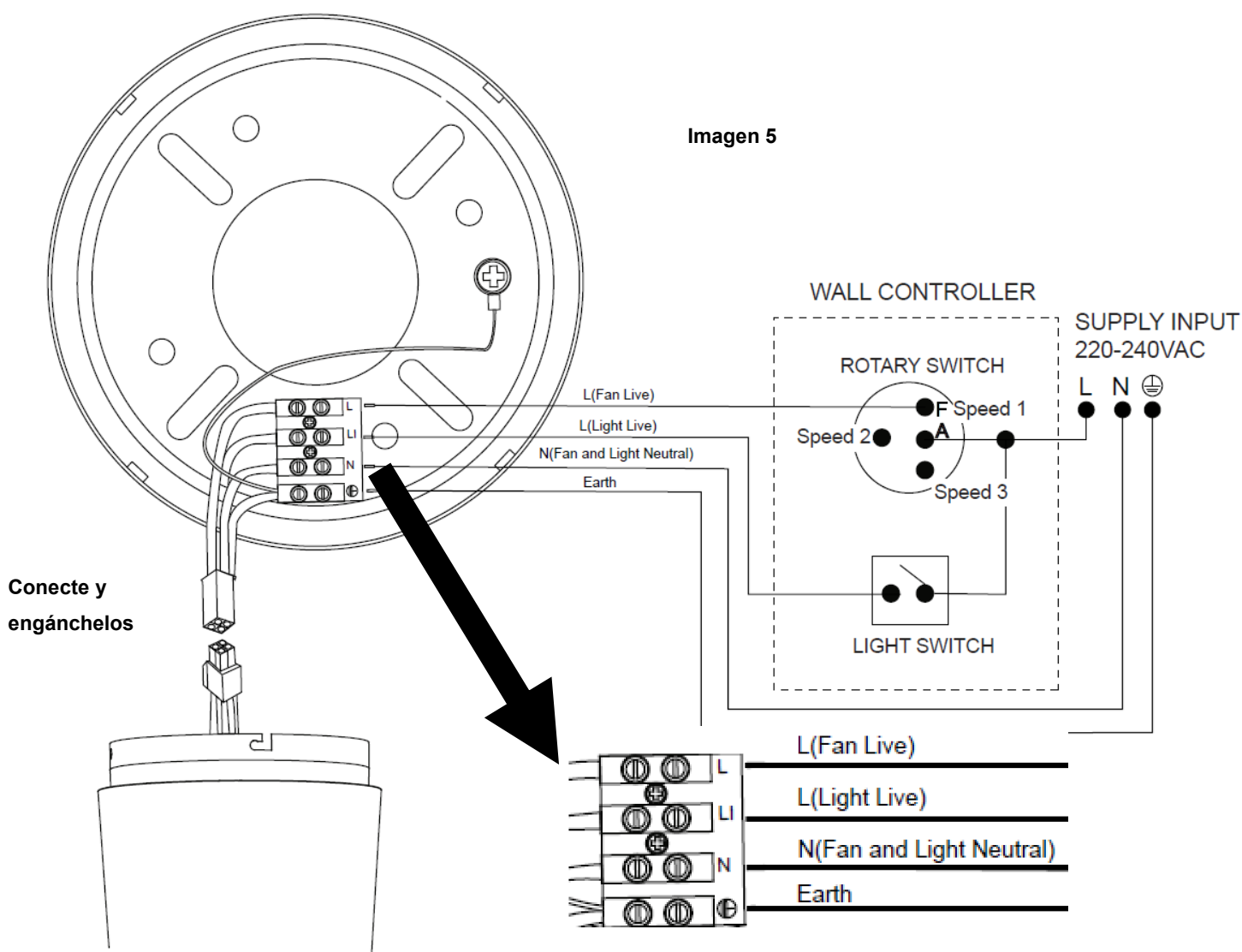
**NOTA:** EL CABLEADO DEBERÁ INCORPORAR UN INTERRUPTOR DE DESCONEXIÓN OMNIPOLAR ADICIONAL.

**NOTA:** El diagrama del cableado incluye el cableado de la lámpara El diagrama del cableado de la lámpara y el interruptor deberá ignorarse cuando no se utilice una lámpara con el ventilador de techo.

**MODELOS CON DIAGRAMA DE CABLEADO DEL CONTROLADOR DE PARED (Imagen 5):**

- Haga las conexiones «L», «N» y Tierra con la regleta de conexiones del soporte de techo como muestra el diagrama de la imagen 5 más abajo. Nota: Ignore el cableado de la lámpara, dado que este modelo no incluya una.
- Conecte los conectores rápidos del ventilador a los del soporte de techo y asegúrese de que queden bien enganchados.

Imagen 5



SUPPLY INPUT 220-240VAC	CORRIENTE DE ENTRADA 220-240 V CA
WALL CONTROLLER	CONTROLADOR DE PARED
ROTARY SWITCH	INTERRUPTOR GIRATORIO
Speed 1	Velocidad 1
Speed 2	Velocidad 2
Speed 3	Velocidad 3
LIGHT SWITCH	INTERRUPTOR DE LA LUZ
L (Fan Live)	L (fase del ventilador)
L (Light Live)	L (fase de la luz)
N (Fan and Light Neutral)	N (neutro del ventilador y la luz)
Earth	Tierra

### **MODELOS CON DIAGRAMA DE CABLEADO DEL CONTROLADOR DE PARED (Imagen 6):**

- Haga las conexiones «L», «N» y Tierra con la regleta de conexiones del soporte de techo como muestra el diagrama de la imagen 6 más abajo.
- Conecte los conectores rápidos del soporte de techo (1) y del receptor de la señal remota (2) y asegúrese de que queden bien unidos.
- Conecte los conectores rápidos del receptor de la señal remota (3) y los conectores del ventilador y asegúrese de que queden bien unidos.
- Coloque el receptor de la señal remota en el interior del florón del conjunto del motor, con el resto del cableado interno.



PARA SKU# 213001 & 213002

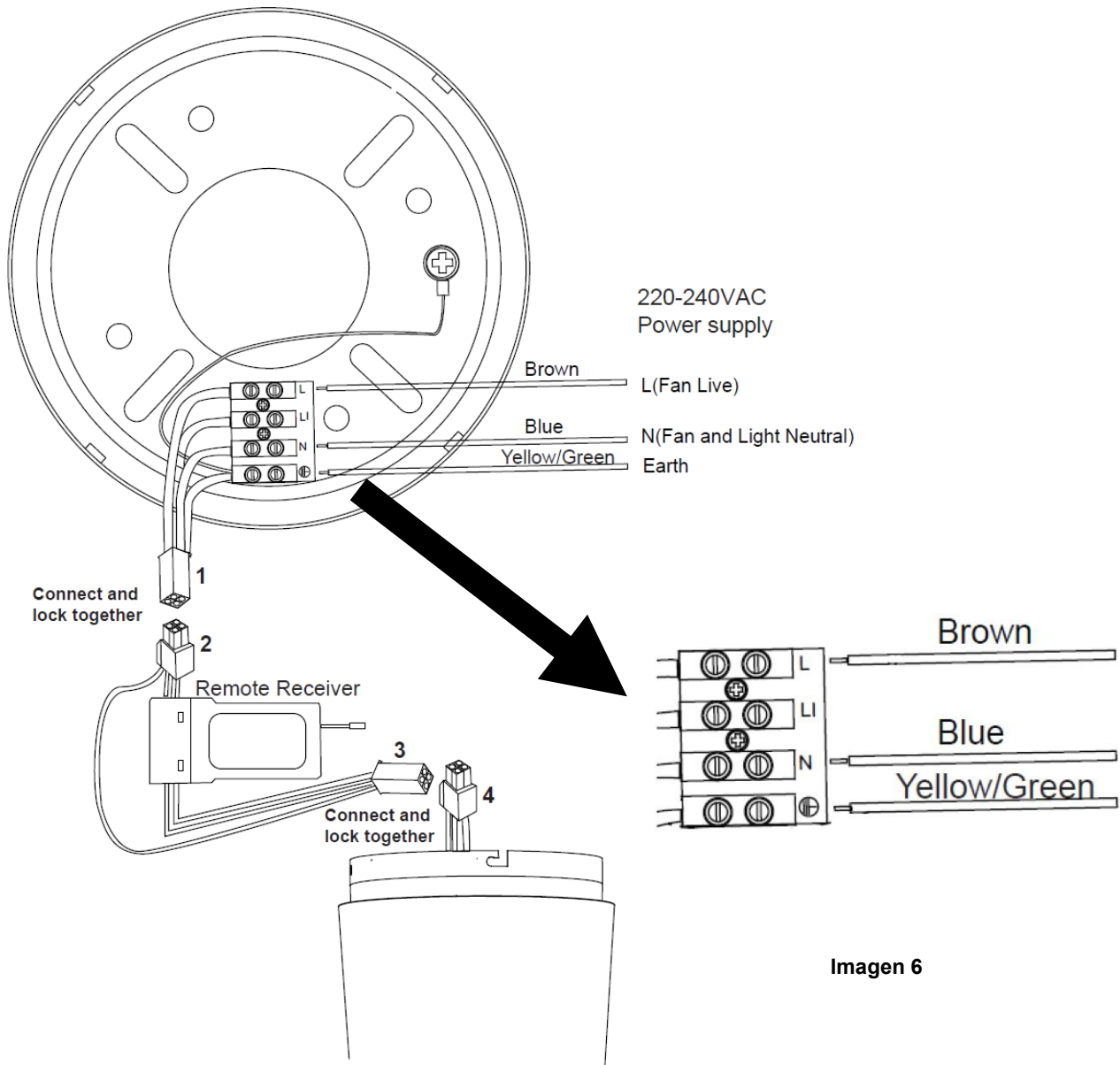


Imagen 6

Brown	Marrón
Blue	Azul
Yellow/Green	Amarillo y verde
220-240VAC Power supply	Fuente de alimentación de 220-240 V CA
Remote Receiver	Receptor de la señal remota

## INSTALACIÓN DEL CONJUNTO DEL VENTILADOR AL SOPORTE DE TECHO

- Una vez completadas las conexiones eléctricas en la regleta del soporte de techo:
  - **Ventilador sin** receptor de la señal remota y con lámpara: conecte el ventilador de techo mediante los conectores rápidos.
  - **Ventilador con** receptor de la señal remota: conecte el receptor de la señal remota y el ventilador de techo mediante los conectores rápidos.
- Asegúrese de que los conductores de tierra estén asegurados y conectados correctamente llevando a cabo una prueba de continuidad de tierra desde la pieza trasera de metal accesible del ventilador hasta el terminal de tierra en la regleta de conexiones del soporte.

Instale el conjunto del ventilador al soporte de techo (imagen 7).

- Hay 4 tornillos preinstalados en el soporte de techo:
  - Afloje los dos tornillos con la arandela dentada (2) del soporte de techo a mitad de rosca (para montar la ranura en «L» del florón).
  - Afloje los dos tornillos del florón (1) y retire del soporte de techo.
- Alce el florón colgante desde el conjunto del ventilador hasta el soporte de techo y pase la ranura en «L» del florón colgante por los tornillos del florón con las arandelas dentadas (2).
- Gire el florón colgante hasta el tope de la ranura en «L» y asegúrese de que las arandelas dentadas estén entre el florón colgante (3) y el cabezal de los tornillos. Asegúrelo apretando los dos tornillos del florón con las arandelas dentadas (2).
- Asegure y apriete los tornillos del florón (1) al soporte de techo. El florón colgante (3) debe tener 4 tornillos (1) y (2) en total. Evite dañar los cables eléctricos conectados anteriormente cuando cuelgue el florón
- Por último, acople el embellecedor (4) en el soporte de techo, fíjelo presionando los enganches del embellecedor en los agujeros de la ranura del florón colgante y gírelo en el sentido antihorario.

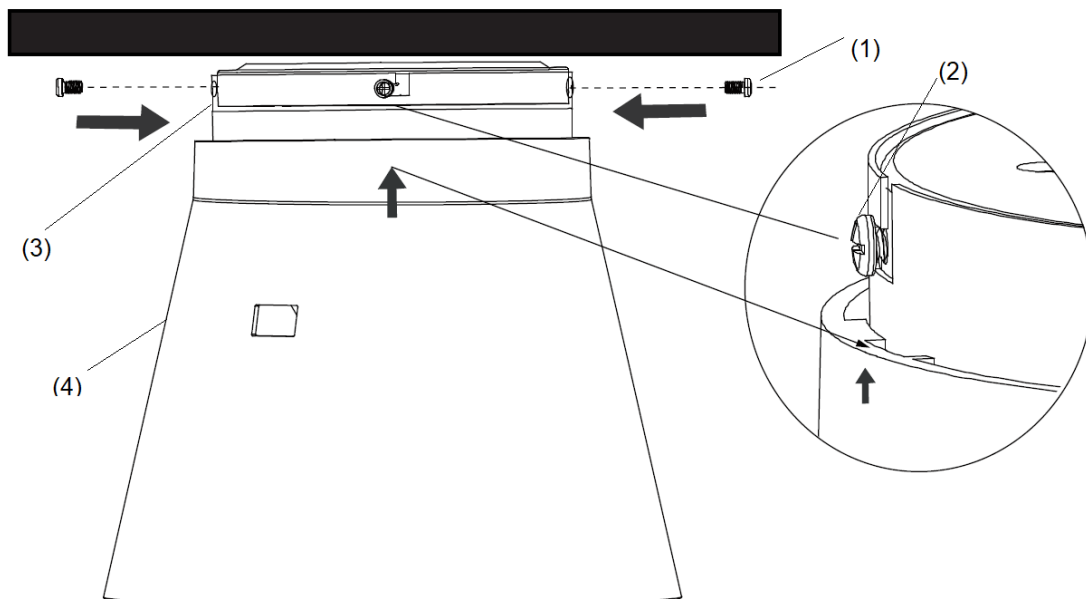


Imagen 7

## INSTALACIÓN DE LAS ASPAS Y LA LÁMPARA

### FIJACIÓN DE LAS ASPAS (Imagen 8)

1. Antes de instalar las aspas, quite los tornillos de las aspas y las arandelas planas de la parte inferior del motor.
2. Alinee los 2 agujeros de una aspa con los 2 agujeros del elemento giratorio del conjunto del motor y use los 2 tornillos de las aspas del paso 1 para asegurar la aspa al motor del ventilador. Asegúrese de que todos los tornillos estén apretados uniformemente para reducir la posibilidad de alabeos o desequilibrios. Tenga cuidado de no apretar en exceso los tornillos, ya que podría dañar las aspas.
3. Una vez hecho esto, repita el proceso para el resto de las aspas.

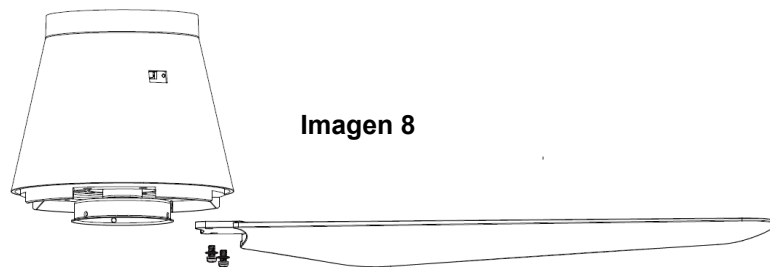


Imagen 8

### INSTALACIÓN DE LA CUBIERTA INFERIOR (PARA VENTILADOR SIN LÁMPARA; Imagen 9)

Asegure la cubierta inferior del motor al ventilador girándola en sentido horario.

PARA SKU# 212999 & 213000

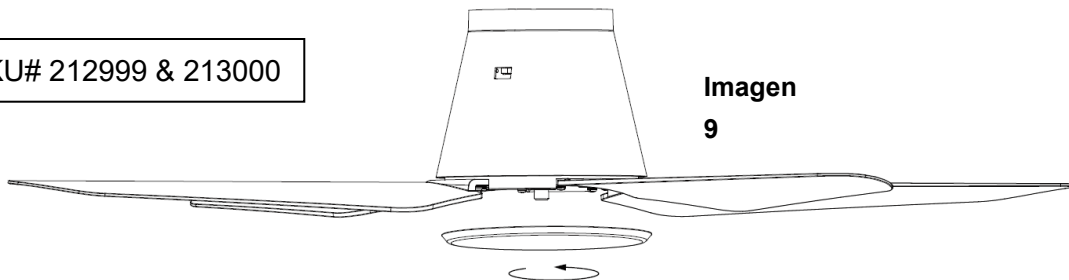


Imagen  
9

### INSTALACIÓN DE LA LÁMPARA LED (PARA UN VENTILADOR CON LUZ; Imagen 10)

- Acople la lámpara led a su base y conecte los cables de la luz a través de la regleta de conexiones rápidas.
- Asegure la lámpara led a su base y gírela en sentido horario. Tenga cuidado de no cruzar, torcer o dañar los cables.

PARA SKU# 213001 & 213002

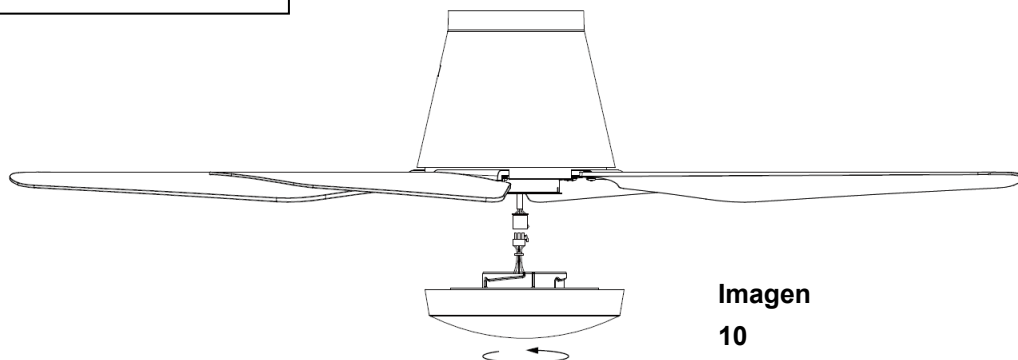


Imagen  
10



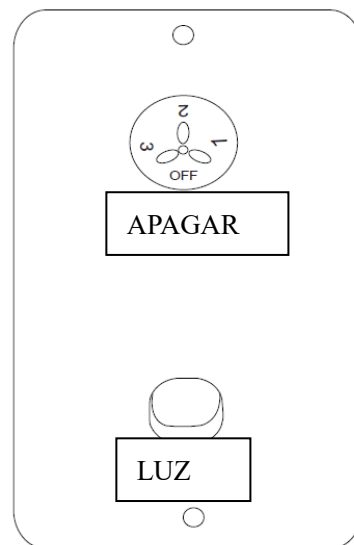
**CÓMO USAR SU VENTILADOR DE TECHO – CONTROLADOR DE PARED (SKU# 212999 & 213000)**

**CONTROL DEL VENTILADOR DESDE LA PARED (Imagen 11)**

Encienda el ventilador y verifique su funcionamiento.

- Posición «OFF» – Ventilador apagado
- Posición 3ª – Ventilador a velocidad baja
- Posición 2ª – Ventilador a velocidad moderada
- Posición 1ª – Ventilador a velocidad alta

Imagen 11



**CONTROL DE LA LUZ (Opcional)**

- Interruptor de palanca - Encender/apagar

**CÓMO USAR SU VENTILADOR DE TECHO – MANDO A DISTANCIA (SKU# 213001 y 213002)**

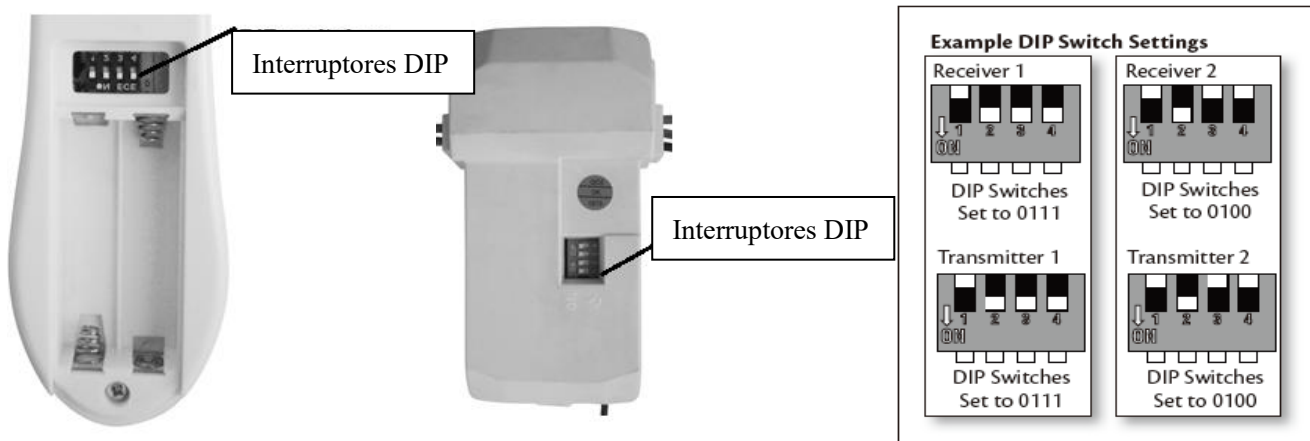
Su ventilador de techo está controlado por un mando a distancia. Hay 4 botones (HI, MED, LOW, OFF) para controlar la velocidad del ventilador y un botón para encender o apagar la luz. **Imagen 14**

Antes de usar el mando a distancia, se debe tener en cuenta lo siguiente:

- El mando a distancia funciona con 2 pilas tamaño AAA de 1,5 V. Retire la tapa del compartimiento de las pilas ubicada en la parte posterior del mando de distancia e inserte 2 pilas de tipo AAA. Asegúrese de que el sentido de la polaridad sea el indicado en el compartimiento de la batería (**imagen 12**) (Pilas no incluidas).
- El mando a distancia (transmisor) y el receptor deben configurarse para emparejar la comunicación entre ellos. Esto se consigue ajustando el conjunto de interruptores DIP del receptor y del mando a distancia al mismo valor (**imagen 13**).

Nota: el conjunto de interruptores DIP dispone de 4 interruptores que pueden combinarse en 16 códigos de transmisión diferentes. Esto resulta práctico cuando el mando a distancia está emparejado a más de un receptor en el mismo lugar o habitación.

**Nota: Para acceder a los interruptores DIP, retire la tapa del conjunto de interruptores DIP.**





<b>Example DIP Switch Settings</b>	<b>Ejemplo de ajustes de interruptores DIP</b>
<b>Receiver 1</b>	<b>Receptor 1</b>
<b>DIP Switches Set to 0111</b>	<b>Interruptores DIP ajustados a 0111</b>
<b>Receiver 2</b>	<b>Receptor 2</b>
<b>DIP Switches Set to 0100</b>	<b>Interruptores DIP ajustados a 0100</b>
<b>Transmitter 1</b>	<b>Transmisor 1</b>
<b>DIP Switches Set to 0111</b>	<b>Interruptores DIP ajustados a 0111</b>
<b>Transmitter 2</b>	<b>Transmisor 2</b>
<b>DIP Switches Set to 0100</b>	<b>Interruptores DIP ajustados a 0100</b>

Imagen 12 Compartimento de las pilas del mando a distancia interruptores DIP

Imagen 13 Caja de interruptores DIP

**CÓMO USAR EL MANDO A DISTANCIA**

Antes de empezar a utilizar el mando a distancia, dedique unos instantes a leer esta sección y familiarícese con los botones y la función de cada botón.

**Indicador led**

El indicador led rojo en la parte superior del transmisor parpadeará cuando se accione algún botón.

**BOTONES DEL MANDO A DISTANCIA**

**HI:** Pulse este botón para ajustar el ventilador a una velocidad alta.

**MED:** Pulse este botón para ajustar el ventilador a una velocidad media.

**LOW:** Pulse este botón para ajustar el ventilador a una velocidad baja.

**OFF:** Pulse este botón para apagar el ventilador.



Imagen 14

<b>LED indicator</b>	<b>Indicador led</b>
<b>Turn on the fan at high speed</b>	<b>Enciende el ventilador con una velocidad alta</b>
<b>Turn on the fan at medium speed</b>	<b>Enciende el ventilador con una velocidad moderada</b>
<b>Turn on the fan at low speed</b>	<b>Enciende el ventilador con una velocidad baja</b>
<b>Turn off the fan</b>	<b>Apaga el ventilador</b>
<b>Turn on / off the light</b>	<b>Enciende o apaga la luz</b>

## CONTROL DE LA LUZ



: Pulse este botón para encender o apagar la luz.

El mando a distancia tiene una función de memoria. Si el ventilador o la luz son apagadas desde el interruptor de desconexión, memorizará y recuperará su último estado cuando vuelva a encenderla.

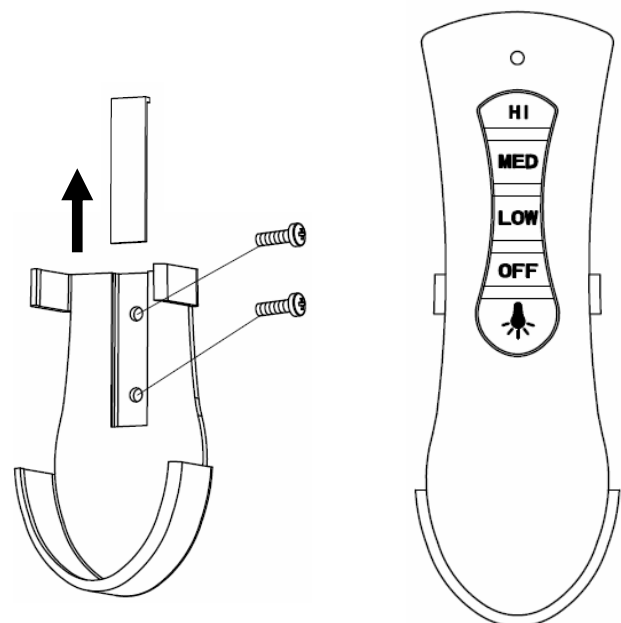
La lámpara led tiene 3 niveles de atenuación que pueden controlarse desde el interruptor. Encienda y apague el interruptor de la lámpara 4 veces en 5 segundos para que la bombilla se ilumine en los modos siguientes:

100% brillo → 60% brillo → 10% brillo → 100% brillo

Para volver al 100% de brillo desde cualquier modo, apague la lámpara y espere 5 segundos antes de volver a encenderla.

## INSTALACIÓN DEL PORTAMANDOS (Imagen 15)

1. Elija un lugar apropiado de una pared o superficie para fijar el portamandos.
2. Quite el tornillo de la tapa; instale el portamandos con los 2 tornillos; y vuelva a poner la tapa del tornillo (imagen 15a).
3. Introduzca el mando a distancia en el portamandos (imagen 15b).



Imagen

Imagen

## BOTÓN DE CAMBIO DE SENTIDO (Imagen 16)

Su ventilador de techo puede funcionar en el modo de verano o invierno.

**Modo de VERANO:** El interruptor de cambio de sentido deberá estar en la posición «SUMMER» (verano) para hacer girar el ventilador en el sentido antihorario. El flujo de aire se dirigirá hacia abajo para refrigerar durante el verano.

**Modo de INVIERNO:** El interruptor de cambio de sentido deberá estar en la posición «WINTER» (invierno) para que el ventilador gire en sentido horario. El flujo de aire se dirigirá hacia arriba para ayudar a circular el aire caliente y conservar la energía durante el invierno.

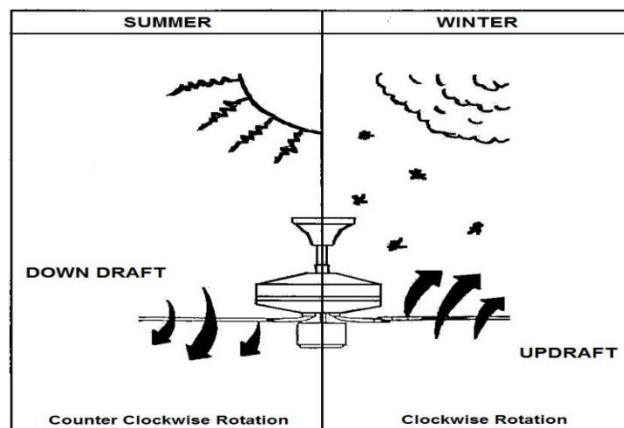
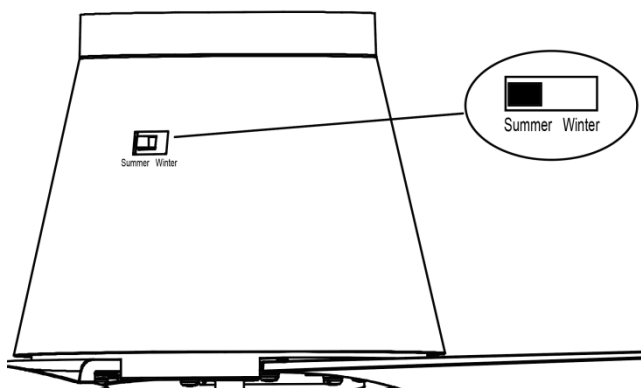


Imagen 16

<b>SUMMER</b>	<b>SUMMER</b>
<b>WINTER</b>	<b>WINTER</b>
<b>DOWN DRAFT</b>	<b>CORRIENTE DESCENDENTE</b>
<b>UPDRAFT</b>	<b>CORRIENTE ASCENDENTE</b>
<b>Counter Clockwise Rotation</b>	<b>Rotación en sentido horario</b>
<b>Clockwise Rotation</b>	<b>Rotación en sentido antihorario</b>

**DESPUÉS DE LA INSTALACIÓN**

**BAMBOLEO:**


NOTA: Los ventiladores de techo tienden a moverse cuando están funcionando debido a que están montados sobre una arandela de goma. Si el ventilador está montado rígidamente al techo, se podrían generar demasiadas vibraciones. Unos pocos centímetros de movimiento es bastante aceptable y NO indica que haya un problema.

**PARA REDUCIR EL BAMBOLEO DEL VENTILADOR:** Compruebe que todos los tornillos que fijan el soporte del ventilador y la tija estén bien apretados.

**RUIDO:**

En los momentos de silencio (sobre todo por la noche), se pueden escuchar ruidos tenues ocasionalmente. Las ligeras fluctuaciones de la corriente y las frecuencias de señales superpuestas en la corriente para el control del agua caliente durante las horas no punta, pueden causar cambios en el ruido del motor del ventilador. Esto es algo normal. Por favor, permita un periodo de adaptación de 24 horas tras las cuales la mayoría de los ruidos asociados con su nuevo ventilador deberán haber desaparecido.

La garantía del fabricante cubre defectos reales que puedan aparecer y NO quejas insignificantes como escuchar el ruido del motor: todos los motores son, hasta cierto punto, audibles.



This fan is suitable for indoor, alfresco and coastal areas where the fan is fully undercover with a minimum of 1 walls. This fan is not waterproof. When installed in an alfresco or coastal area, the ceiling fan must be positioned in a location protected from water, wind and dust. Exposure to these elements will void the warranty. Mounting the fan in a situation where it is subject to water or moisture is dangerous.

**CUIDADO Y LIMPIEZA**

**NOTA: Apague siempre el ventilador desde el interruptor de alimentación antes de llevar a cabo cualquier tarea de mantenimiento o limpieza.**

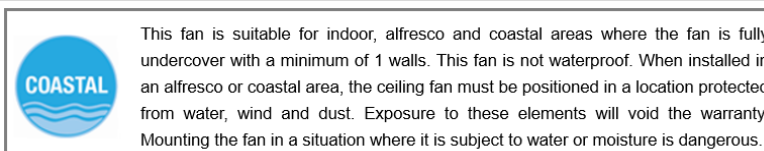
- La limpieza de su ventilador de techo cada 6 meses es el único mantenimiento que se requiere. Utilice un cepillo blando o un paño que no deje pelusa para no arañar el acabado de pintura. Por favor, corte la corriente cuando haga esto.
- No remoje o sumerja el ventilador de techo en el agua u otros líquidos. Esto podría dañar el motor o las aspas y dar pie a posibles descargas eléctricas.
- Asegúrese de que la lámpara no entre en contacto con limpiadores o disolventes orgánicos.
- Para limpiar las aspas del ventilador, pase solo un paño humedecido SIN disolventes orgánicos ni detergentes.
- El motor tiene un rodamiento con lubricación permanente, por lo que no es necesario engrasarlo.

**MEDIDAS DE SEGURIDAD CON LAS PILAS**

- **ADVERTENCIA** – Mantenga las pilas nuevas y usadas fuera del alcance de los niños.
- **PRECAUCIÓN** – No ingiera la pila: riesgo de quemadura química.
- Utilice siempre 2 pilas tipo AAA con el mando a distancia del ventilador de techo.
- Asegúrese de que las pilas estén instaladas en el sentido correcto de la polaridad.
- Para prevenir el funcionamiento en falso del ventilador de techo al instalar las pilas, desconéctelo de la corriente.
- Saque las pilas del producto cuando no lo vaya a utilizar por un largo periodo de tiempo.
- Las pilas deben retirarse del mando a distancia antes de desecharlo.
- Deseche las pilas agotadas inmediatamente y de una forma segura (para que no puedan ser recogidas por los niños). Las pilas pueden seguir siendo peligrosas. Póngase en contacto el ayuntamiento para deshacerse de las pilas de una manera segura.
- Examine periódicamente el producto y asegúrese de que la tapa del compartimento de las pilas esté bien cerrada. Si el compartimento de la pila no se cierra correctamente, deje de usar el producto y guárdelo en un lugar fuera del alcance de los niños.

**INFORMACIÓN TÉCNICA**

Ventilador	Ventilador de 48" – Aria CTC
Modelos de ventilador / SKU# (Controlador de pared, sin lámpara)	ARIA CTC / SKU# 212999, 213000
Modelos de ventilador / SKU# (Mando a distancia con lámpara)	ARIA CTC L / SKU# 213001, 213002
Tensión nominal	220-240 V~ 50 Hz
Potencia nominal (motor)	50 W
Potencia nominal (lámpara)	18 W, 1100 LM, 3000 K, Atenuable (3 niveles de atenuación)
Peso	5,0 kg
Dimensiones del florón	Altura: 95 mm Ø: 130 mm



## INFORMACIÓN SOBRE LA GARANTÍA

**EN AUSTRALIA Y NUEVA ZELANDA** – Por favor, consulte la DECLARACIÓN DE LA GARANTÍA que viene por separado.

**EN EUROPA** – Si es un cliente europeo, contacte con la tienda distribuidora donde adquirió el ventilador para los servicios de garantía.




This fan is suitable for indoor, alfresco and coastal areas where the fan is fully undercover with a minimum of 1 walls. This fan is not waterproof. When installed in an alfresco or coastal area, the ceiling fan must be positioned in a location protected from water, wind and dust. Exposure to these elements will void the warranty. Mounting the fan in a situation where it is subject to water or moisture is dangerous.

**I****GRAZIE PER L'ACQUISTO**

Grazie per aver acquistato questo prodotto Lucci di alta qualità. Per assicurare un funzionamento corretto e sicuro, leggere attentamente tutte le istruzioni prima di assemblare, installare e usare il prodotto. Conservare le istruzioni per futuro riferimento.

**NORME DI SICUREZZA**

1. In Europa: questo apparecchio può essere usato da bambini di età superiore a 8 anni e da persone con ridotte capacità fisiche, sensoriali o mentali o prive di esperienza o conoscenza, solo se supervisionati o istruiti sull'uso sicuro dell'apparecchio e se comprendono i rischi correlati. Le operazioni di pulizia e manutenzione ordinaria non devono essere effettuate da bambini non supervisionati.
2. In Australia: questo apparecchio non deve essere usato da persone (compresi i bambini) con ridotte capacità fisiche, sensoriali o mentali o prive di esperienza o conoscenza, a meno che non siano sorvegliate o siano state istruite sull'uso dell'apparecchio da una persona responsabile della loro sicurezza.
3. Sorvegliare i bambini per accertarsi che non giochino con l'apparecchio.
4. L'impianto elettrico deve essere protetto da un interruttore differenziale, conformemente alle normative elettriche locali.
5.  Non gettare gli apparecchi elettrici insieme ai rifiuti domestici, ma smaltirli presso gli appositi punti di raccolta. Contattare le autorità locali per informazioni sui sistemi di raccolta disponibili. Se gli apparecchi elettrici vengono gettati nelle discariche, le sostanze pericolose che contengono possono infiltrarsi nella falda freatica ed entrare nella catena alimentare, con effetti nocivi su salute e benessere.
6. La struttura su cui verrà installato il ventilatore deve essere in grado di sostenere un peso di 30 kg.
7. Il ventilatore deve essere installato in modo tale che le pale siano ad almeno 2,3 metri di altezza dal pavimento in Europa o 2,1 metri in Australia.
8. Questo ventilatore è adatto ad aree in interni, all'aperto e costiere, purché sia completamente protetto da almeno 1 parete. Questo ventilatore non è impermeabile. Se collocato in aree all'aperto o costiere, il ventilatore deve essere installato in una posizione protetta da acqua, vento e polvere. L'esposizione a tali elementi comporta l'annullamento della garanzia. L'installazione del ventilatore in una posizione esposta ad acqua o umidità è pericolosa, può aumentare il rischio di danni, lesioni o scossa elettrica e comporta l'annullamento della garanzia.
9. Il ventilatore deve essere assemblato e installato da un elettricista professionista.

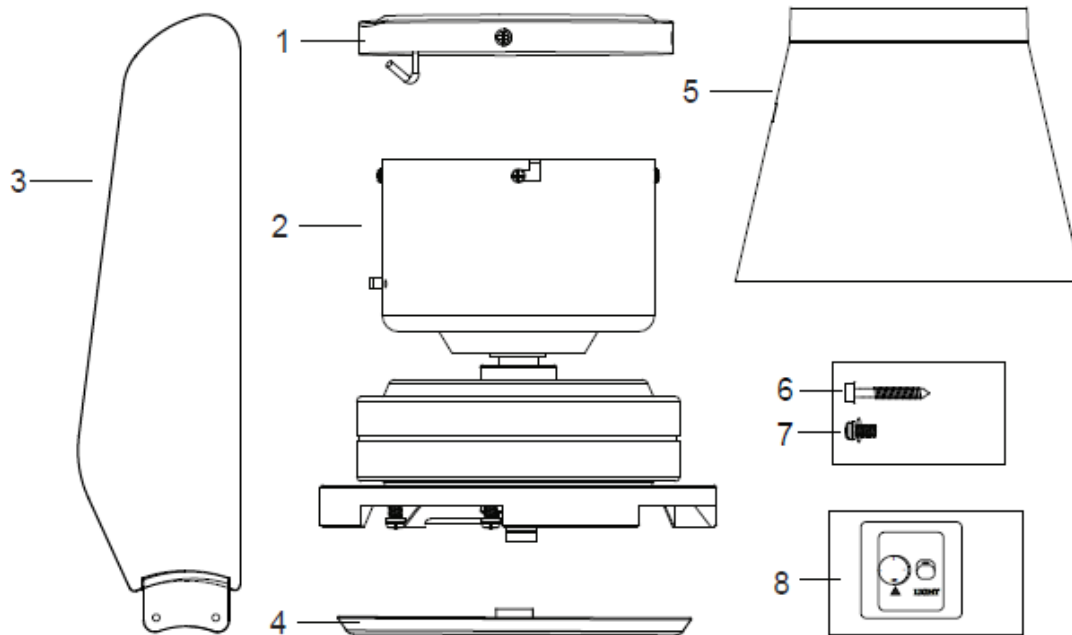
10. **AVVERTENZA!** In caso di oscillazioni anomale, interrompere immediatamente l'uso del ventilatore a soffitto e contattare il costruttore, il suo centro di assistenza o un tecnico qualificato.
11. La sostituzione delle parti del sistema di sospensione di sicurezza deve essere effettuata dal costruttore, dal suo centro di assistenza o da un tecnico qualificato.
12. I dispositivi di fissaggio del ventilatore al soffitto, ad esempio i ganci, devono essere in grado di sostenere 4 volte il peso del ventilatore; l'installazione del sistema di sospensione deve essere effettuata dal costruttore, dal suo centro di assistenza o da un tecnico qualificato.

## ELENCO DELLE PARTI

- Disimballare il ventilatore con attenzione. Estrarre tutti i componenti e gli accessori.
- Disporre tutti i componenti su una superficie piana e assicurarsi che nessun componente sia mancante prima dell'assemblaggio. In caso di parti mancanti, riportare il prodotto completo presso il rivenditore affinché venga ispezionato, riparato o sostituito.
- Verificare che il ventilatore non abbia subito danni durante il trasporto. Non usare/installare il prodotto se presenta danni di qualsiasi tipo. Riportare il prodotto completo presso il rivenditore affinché venga ispezionato, riparato o sostituito.
- Esaminare tutti i componenti e verificare che corrispondano a quelli elencati di seguito e illustrati in Fig. 1.

Ventilatore con interruttore a parete (senza kit luce) (SKU# 212999 & 213000)		Ventilatore con telecomando (con kit luce) (SKU# 213001 & 213002)	
1	Staffa di supporto x1	1	Staffa di supporto x1
2	Unità motore x1	2	Unità motore x1
3	Pale x4	3	Pale x4
4	Copertura inferiore x1	4	Kit luce LED x1
5	Calotta dell'unità motore x1	5	Calotta dell'unità motore x1
6	Viti di montaggio x4	6	Viti di montaggio x4
7	Vite di ricambio per pala x1	7	Vite di ricambio per pala x1
8	Interruttore a muro x1 set	8	Telecomando e ricevitore x1 set

Ventilatore con interruttore a parete (senza kit luce) SKU# 212999 e 213000



Ventilatore con telecomando (con kit luce) SKU# 213001 e 213002

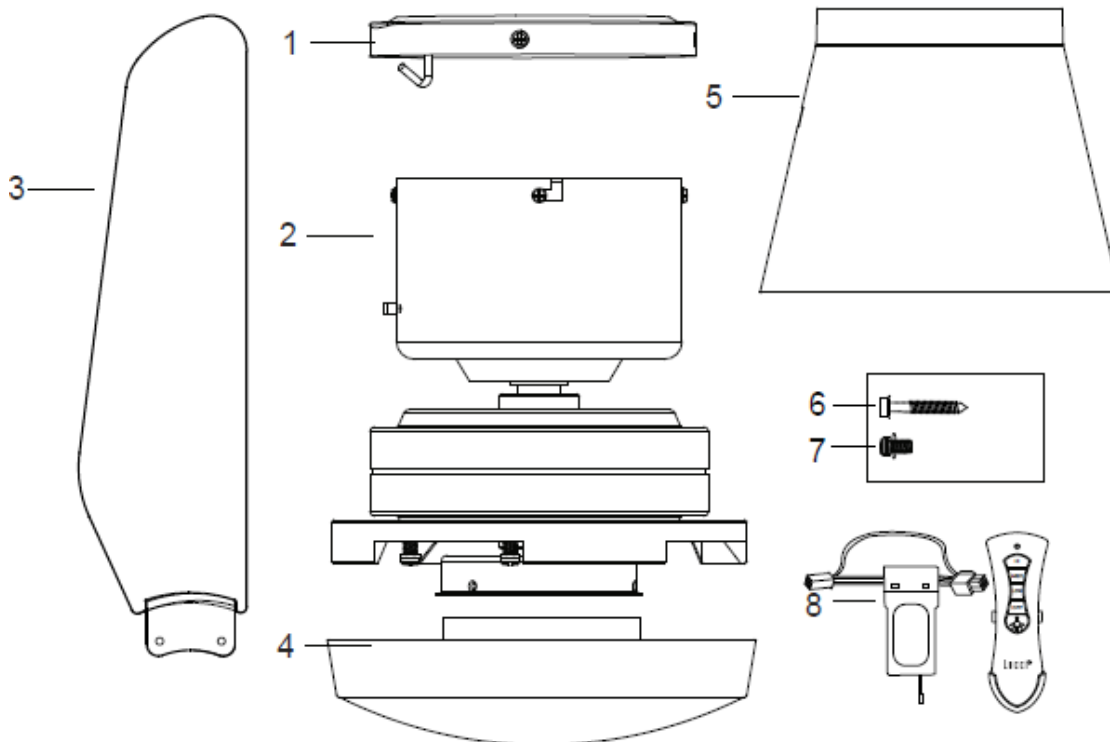


Fig. 1



## INSTALLAZIONE DELLA STAFFA DI SUPPORTO

- Il ventilatore a soffitto deve essere installato in modo tale che le estremità delle pale siano ad almeno 300 mm di distanza da pareti o oggetti adiacenti.
- Fissare la staffa di supporto a una struttura o una trave del soffitto in grado di sostenere un carico di almeno 20 kg con le 4 viti lunghe fornite. Assicurarsi che almeno 30 mm della vite siano inseriti nella struttura (Fig. 2).

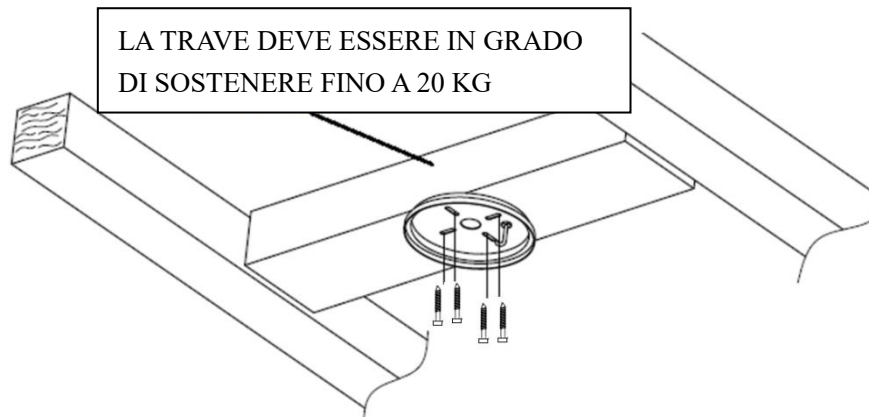


Fig. 2

**NOTA:** le viti di supporto fornite sono destinate esclusivamente a strutture in legno. Per strutture diverse dal legno, è **OBBLIGATORIO** usare viti di tipo appropriato. Assicurarsi che le viti utilizzate siano adatte alla superficie di installazione e all'ambiente circostante.

## INSTALLAZIONE ANGOLATA

Questo sistema di fissaggio **NON** consente l'installazione inclinata del ventilatore.

## ASSEMBLAGGIO DEL VENTILATORE

- Installare la calotta dell'unità motore (1) sull'unità motore (Fig. 3).
- Avvicinare il ventilatore alla staffa di supporto. Fissare il ventilatore al gancio a J (2) sulla staffa di supporto (Fig. 4).
- Effettuare i collegamenti elettrici come descritto alla sezione "SCHEMA DI CABLAGGIO".

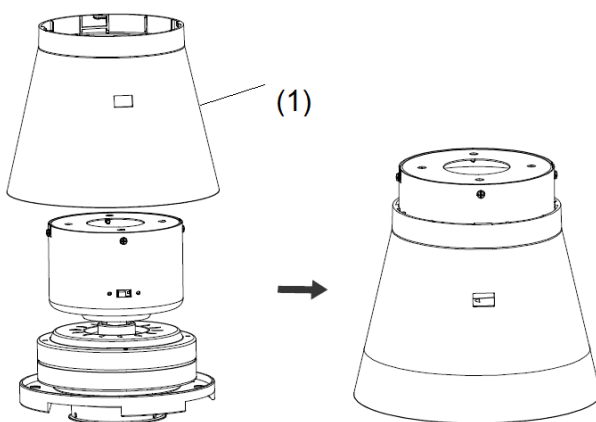


Fig. 3

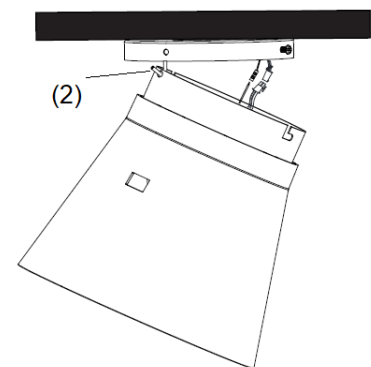


Fig. 4

**SCHEMA DI CABLAGGIO**

**AVVERTENZA!** PER LA PROPRIA SICUREZZA, TUTTI I COLLEGAMENTI ELETTRICI DEVONO ESSERE EFFETTUATI DA UN ELETTRICISTA PROFESSIONISTA.

**NOTA:** L'IMPIANTO ELETTRICO DEVE ESSERE PROTETTO DA UN INTERRUTTORE DIFFERENZIALE.

**NOTA:** lo schema di cablaggio include il collegamento del kit luce. Ignorare lo schema di cablaggio della luce se il ventilatore non include il kit luce.

**SCHEMA DI CABLAGGIO PER I MODELLI CON INTERRUTTORE A PARETE (Fig. 5)**

- Collegare i cavi di fase (L), neutro (N) e terra alla morsetteria della staffa di supporto come illustrato in Fig. 5. Nota: ignorare il cablaggio del kit luce, poiché questo modello ne è sprovvisto.
- Unire il connettore rapido del ventilatore a quello della staffa di supporto, assicurandosi che siano collegati saldamente.

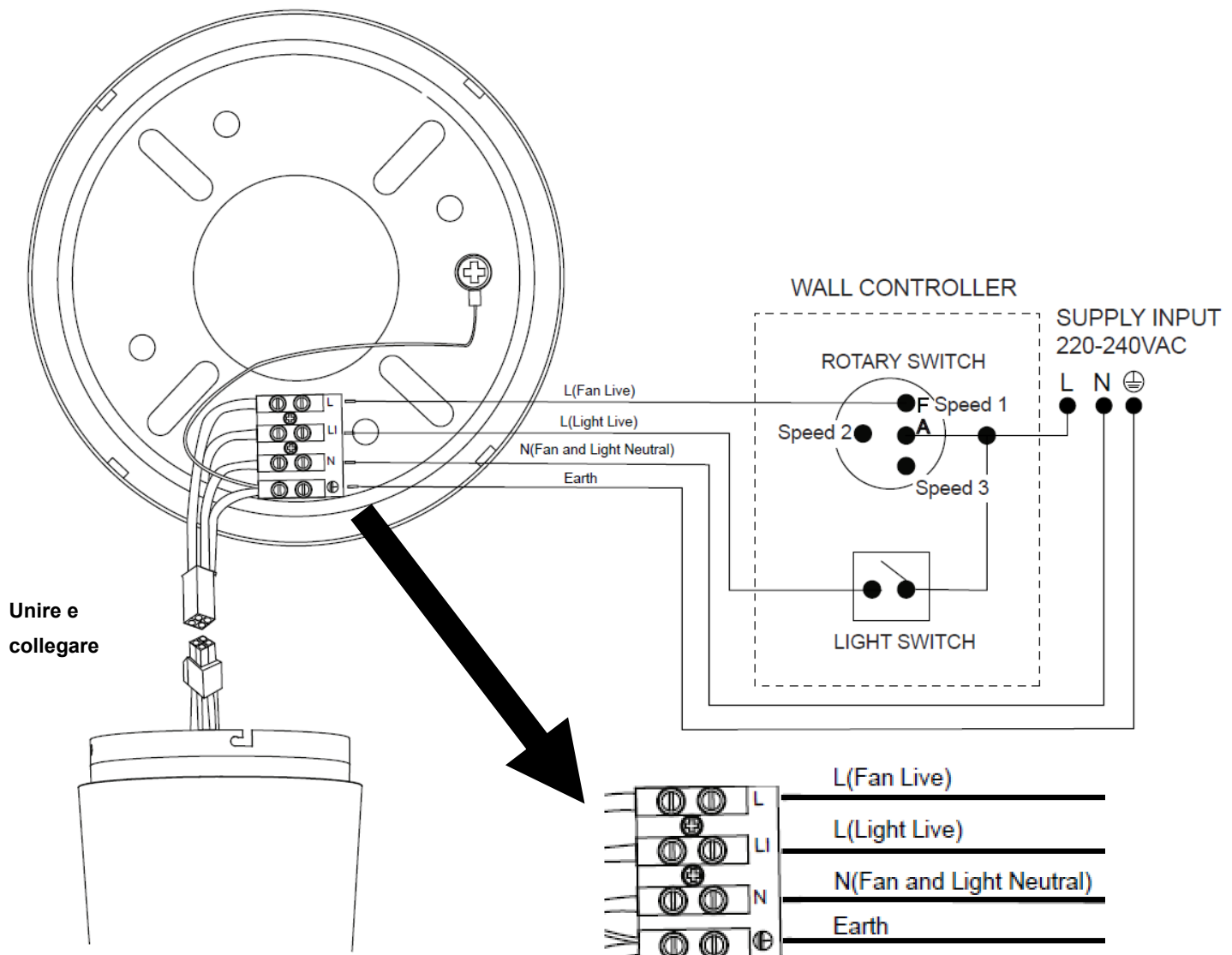


Fig. 5

SUPPLY INPUT 220-240VAC	ALIMENTAZIONE 220-240 VCA
WALL CONTROLLER	INTERRUTTORE A MURO
ROTARY SWITCH	INTERRUTTORE GIREVOLE
Speed 1	Velocità 1
Speed 2	Velocità 2
Speed 3	Velocità 3
LIGHT SWITCH	INTERRUTTORE DELLA LUCE
L (Fan Live)	L (fase ventilatore)
L (Light Live)	L (fase luce)
N (Fan and Light Neutral)	N (neutro fase e luce)
Earth	Terra

### **SCHEMA DI CABLAGGIO PER I MODELLI CON TELECOMANDO (Fig. 6)**

- Collegare i cavi di fase (L), neutro (N) e terra alla morsettieria della staffa di supporto come illustrato in Fig. 6.
- Unire il connettore rapido della staffa di supporto (1) a quello del ricevitore del telecomando (2), assicurandosi che siano collegati saldamente.
- Unire il connettore rapido del ricevitore del telecomando (3) a quello del ventilatore (4), assicurandosi che siano collegati saldamente.
- Inserire il ricevitore del telecomando all'interno della calotta dell'unità motore insieme agli altri cavi elettrici interni.



PER SKU# 213001 e 213002

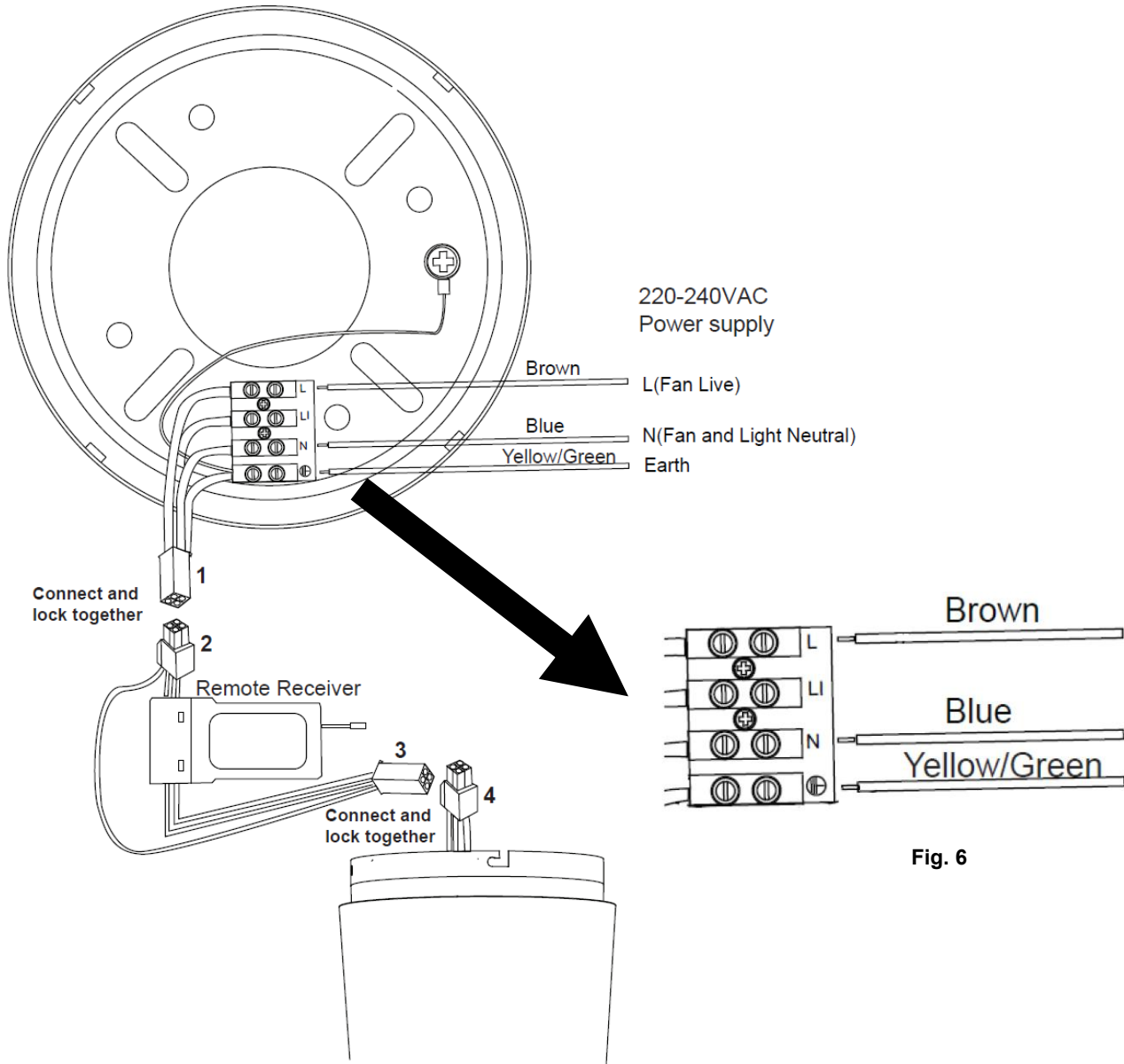



Fig. 6

Brown	Marrone
Blue	Blu
Yellow/Green	Giallo/Verde
220-240VAC Power supply	Alimentazione 220-240 VCA
Remote Receiver	Ricevitore del telecomando



This fan is suitable for indoor, alfresco and coastal areas where the fan is fully undercover with a minimum of 1 walls. This fan is not waterproof. When installed in an alfresco or coastal area, the ceiling fan must be positioned in a location protected from water, wind and dust. Exposure to these elements will void the warranty. Mounting the fan in a situation where it is subject to water or moisture is dangerous.

### INSTALLAZIONE DEL VENTILATORE ALLA STAFFA DI SUPPORTO

- Dopo aver completato i collegamenti elettrici a livello della morsetteria sulla staffa di supporto, procedere come descritto di seguito.
- **Ventilatore senza** telecomando e kit luce: collegare i cavi del ventilatore tramite il connettore rapido.
- **Ventilatore con** telecomando e kit luce: collegare il ricevitore del telecomando e il ventilatore tramite il connettore rapido.
- Assicurarsi che il cavo di terra sia fissato saldamente e in modo corretto effettuando un test di continuità dal corpo metallico accessibile del ventilatore verso il terminale di terra sulla morsetteria nella staffa di supporto.

Installazione del ventilatore alla staffa di supporto (Fig. 7)

- Sulla staffa di supporto sono pre-installate 4 viti.
- Allentare le due viti per calotta con la rondella a stella (2) per metà filettatura dalla staffa di supporto (per il collegamento alla fessura a L sulla calotta).
- Allentare le due viti per calotta (1) e rimuoverle dalla staffa di supporto.
- Avvicinare il supporto della calotta alla staffa di supporto e agganciare la fessura a L sul supporto della calotta alle viti con la rondella a stella (2).
- Ruotare il supporto della calotta finché non si blocca in posizione all'estremità della fessura a L e assicurarsi che la rondella a stella si trovi tra il supporto della calotta (3) e la testa della vite.
- Fissarlo serrando le due viti per calotta con rondella a stella (2).
- Avvitare le due viti per calotta (1) alla staffa di supporto. Il supporto della calotta (3) deve essere dotato di 4 viti (1) e (2) in totale. Fare attenzione a non danneggiare i collegamenti elettrici effettuati in precedenza durante il fissaggio della calotta.
- Infine, installare la calotta (4) sulla staffa di supporto, fissarla premendo i ganci della calotta nei fori della calotta e ruotarla in senso antiorario.

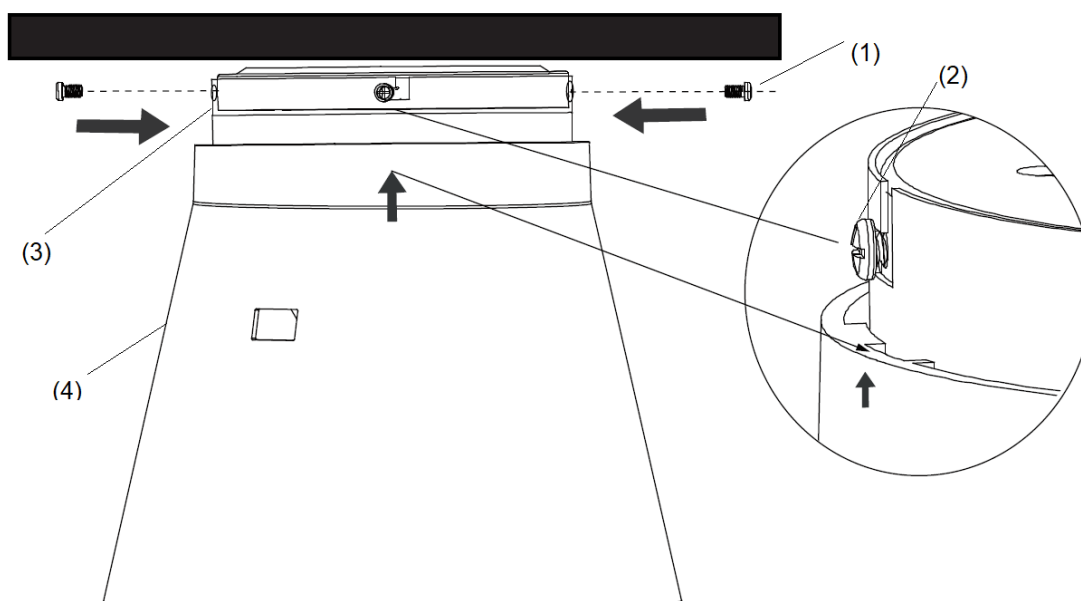


Fig. 7

## INSTALLAZIONE DELLE PALE E DEL KIT LUCE

### **FISSAGGIO DELLE PALE (Fig. 8)**

1. Prima di installare le pale, rimuovere le viti per pale e le rondelle piatte dalla parte inferiore dell'unità motore.
2. Allineare i 2 fori sulla pala con i 2 fori sulla parte girevole dell'unità motore, quindi usare le 2 viti del passaggio 1 per fissare la pala all'unità motore.  
Assicurarsi che tutte le viti siano serrate in modo uniforme per ridurre la possibilità di deformazioni o sbilanciamenti. Fare attenzione a non serrarle eccessivamente per evitare di danneggiare le pale.
3. Al termine del fissaggio, ripetere il processo per le pale rimanenti.

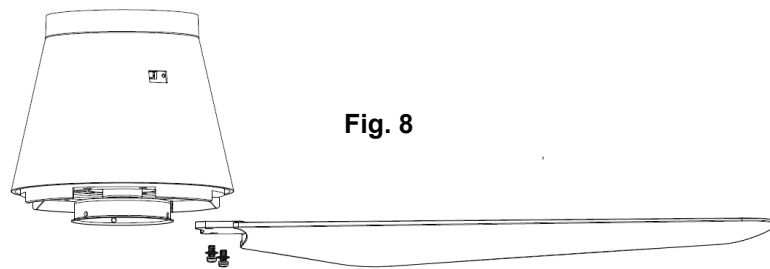


Fig. 8

### **INSTALLAZIONE DELLA COPERTURA INFERIORE (PER I VENTILATORI SENZA LAMPADA) Fig. 9**

**9**

Fissare la copertura inferiore al ventilatore ruotandola in senso orario.

PER SKU# 212999 e 213000

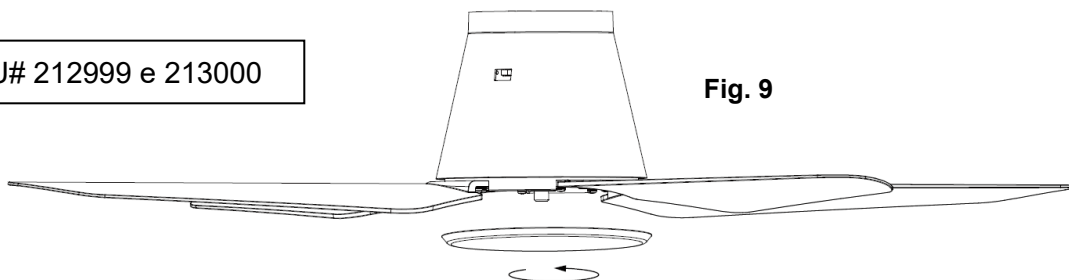


Fig. 9

### **INSTALLAZIONE DEL KIT LUCE LED (PER VENTILATORI CON LAMPADA) FIG. 10**

- Fissare il kit luce LED alla base della lampada e collegare i fili al kit luce LED tramite i connettori rapidi.
- Fissare il kit luce LED alla base della lampada ruotando il corpo del kit luce LED in senso orario. Fare attenzione a non torcere e danneggiare i cavi.

PER SKU# 213001 e 213002

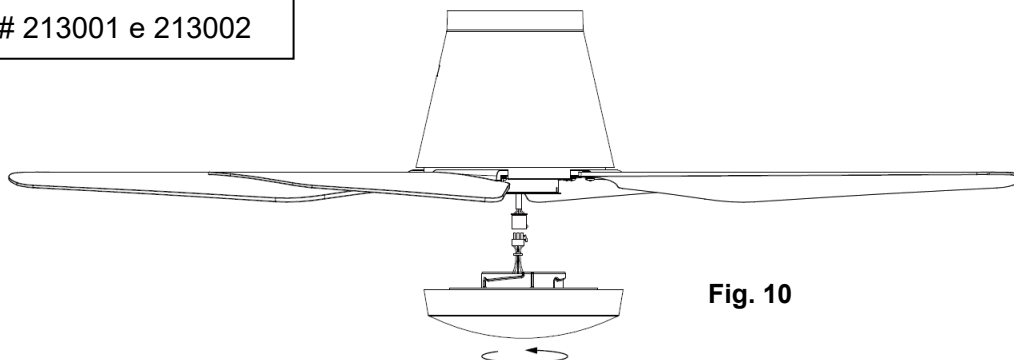


Fig. 10



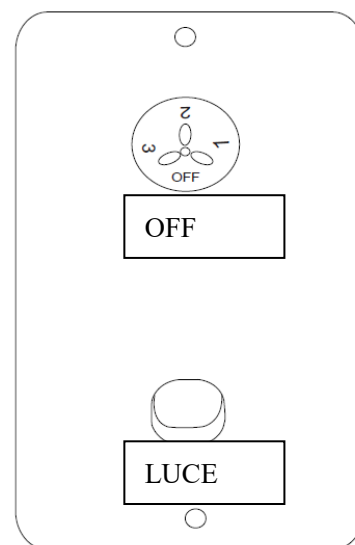
## UTILIZZO DEL VENTILATORE – INTERRUTTORE A MURO (SKU# 212999 e 213000)

### CONTROLLO DEL VENTILATORE (Fig. 11)

Attivare l'alimentazione elettrica e verificare il corretto funzionamento del ventilatore.

- Posizione OFF: ventilatore spento
- Posizione 3: ventilatore acceso a bassa velocità
- Posizione 2: ventilatore acceso a velocità intermedia
- Posizione 1: ventilatore acceso ad alta velocità

Fig. 11



### CONTROLLO DELLA LUCE (opzionale)

- Interruttore della luce: accensione/spegnimento

## UTILIZZO DEL VENTILATORE – TELECOMANDO (SKU# 213001 e 213002)

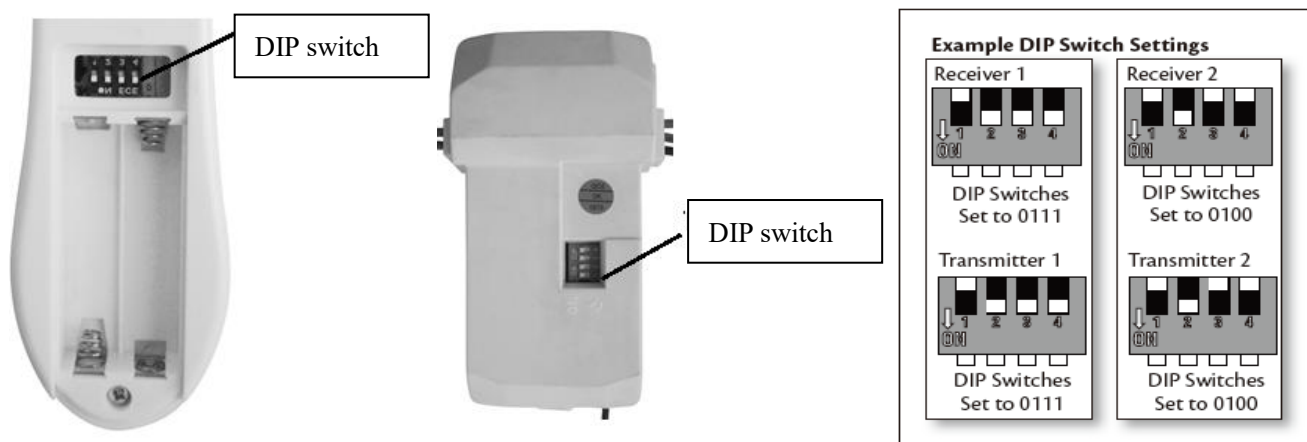
Il ventilatore è controllato tramite il telecomando. Sul telecomando sono presenti 4 pulsanti (HI, MED, LOW, OFF) di controllo della velocità e un pulsante di controllo della luce (Fig. 14).

Per usare il telecomando in modo corretto, rispettare le seguenti istruzioni.

- Il telecomando è alimentato da 2 batterie AAA da 1,5 V. Rimuovere il coperchio del vano batterie sul retro del telecomando e inserire 2 batterie AAA. Assicurarsi di rispettare la polarità indicata all'interno del vano batterie (Fig. 12) (batterie non incluse).
- Il telecomando (trasmettitore) e il ricevitore devono essere abbinati tra loro; per fare ciò è necessario impostare i cursori dei DIP switch del ricevitore e del telecomando sugli stessi valori (Fig. 13).

Nota: il gruppo di DIP switch è formato da 4 cursori; in totale è possibile impostare 16 diversi codici di trasmissione. Ciò è utile quando nello stesso locale sono attive più coppie di telecomando/ricevitore.

**Nota: per accedere ai DIP switch, rimuovere il coperchio dei DIP switch.**





<b>Example DIP Switch Settings</b>	<b>Esempi di impostazione dei DIP switch</b>
<b>Receiver 1</b>	<b>Ricevitore 1</b>
<b>DIP Switches Set to 0111</b>	<b>DIP switch impostati su 0111</b>
<b>Receiver 2</b>	<b>Ricevitore 2</b>
<b>DIP Switches Set to 0100</b>	<b>DIP switch impostati su 0100</b>
<b>Transmitter 1</b>	<b>Trasmittitore 1</b>
<b>DIP Switches Set to 0111</b>	<b>DIP switch impostati su 0111</b>
<b>Transmitter 2</b>	<b>Trasmittitore 2</b>
<b>DIP Switches Set to 0100</b>	<b>DIP switch impostati su 0100</b>

Fig. 12 Vano batterie del telecomando

Fig. 13 DIP switch del ricevitore

**UTILIZZO DEL TELECOMANDO**

Prima di iniziare a usare il telecomando, leggere attentamente questa sezione e familiarizzarsi con i pulsanti e le loro funzioni.

**Indicatore luminoso**

L'indicatore luminoso rosso sulla parte superiore del trasmettitore lampeggia di rosso quando i pulsanti sono attivi.

**PULSANTI SUL TELECOMANDO**

**HI:** premere questo pulsante per mettere in funzione il ventilatore ad alta velocità.

**MED:** premere questo pulsante per mettere in funzione il ventilatore a velocità intermedia.

**LOW:** premere questo pulsante per mettere in funzione il ventilatore a bassa velocità.

**OFF:** premere questo pulsante per spegnere il ventilatore.



Fig. 14

<b>LED indicator</b>	<b>Indicatore luminoso</b>
<b>Turn on the fan at high speed</b>	<b>Accensione del ventilatore ad alta velocità</b>
<b>Turn on the fan at medium speed</b>	<b>Accensione del ventilatore a velocità intermedia</b>
<b>Turn on the fan at low speed</b>	<b>Accensione del ventilatore a bassa velocità</b>
<b>Turn off the fan</b>	<b>Spegnimento del ventilatore</b>
<b>Turn on / off the light</b>	<b>Accensione/spegnimento della luce</b>



## CONTROLLO DELLA LUCE



: premere questo pulsante per accendere o spegnere la luce.

Il telecomando è dotato di funzione di memoria. Se il ventilatore viene spento tramite il telecomando, alla riaccensione verranno ripristinate le ultime impostazioni relative a luce e velocità.

Il kit luce LED è dotato di funzione varialuce a 3 livelli, controllata tramite l'interruttore della luce. Premendo l'interruttore della luce 4 volte entro 5 secondi, la luminosità della lampadina varierà nel seguente ordine:

100% della luminosità → 60% della luminosità → 10% della luminosità → 100% della luminosità

Per tornare in qualsiasi momento al 100% della luminosità, spegnere la luce, quindi riaccenderla entro 5 secondi.

## INSTALLAZIONE DEL SUPPORTO PER TELECOMANDO (Fig. 15)

1. Individuare una superficie o una parete adatta al fissaggio del supporto per telecomando.
2. Rimuovere la copertura delle viti e installare il supporto alla parete usando le 2 viti, quindi reinstallare la copertura delle viti (Fig. 15a).
3. Fare scorrere il telecomando all'interno del supporto (Fig. 15b).

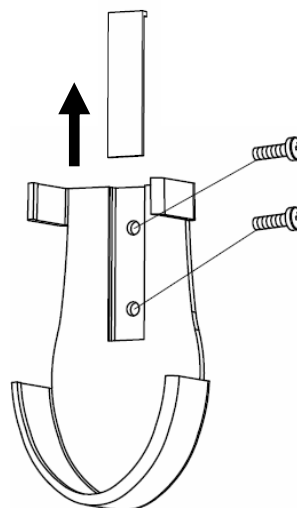


Fig. 15a

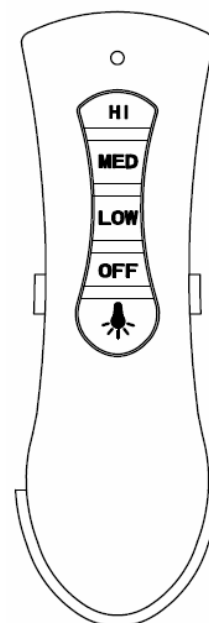


Fig. 15b

## INTERRUTTORE DI INVERSIONE (Fig. 16)

Questo ventilatore a soffitto può funzionare sia in modalità estiva che in modalità invernale.

**Modalità ESTIVA:** l'interruttore di inversione deve essere in posizione SUMMER affinché il ventilatore ruoti in senso antiorario. Il flusso d'aria verrà diretto verso il basso, per raffrescare il locale durante la stagione calda.

**Modalità INVERNALE:** l'interruttore di inversione deve essere in posizione WINTER affinché il ventilatore ruoti in senso orario. Il flusso d'aria verrà diretto verso l'alto, per favorire la circolazione di aria calda e il risparmio energetico durante la stagione fredda.

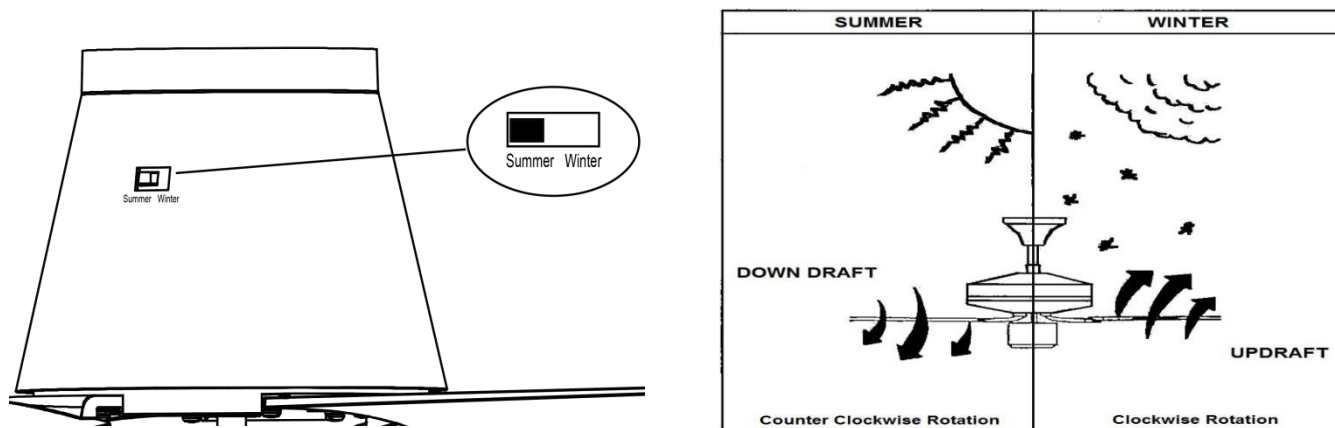


Fig. 16

<b>SUMMER</b>	<b>SUMMER</b>
<b>WINTER</b>	<b>WINTER</b>
<b>DOWN DRAFT</b>	<b>FLUSSO D'ARIA VERSO IL BASSO</b>
<b>UPDRAFT</b>	<b>FLUSSO D'ARIA VERSO L'ALTO</b>
<b>Counter Clockwise Rotation</b>	<b>Rotazione in senso antiorario</b>
<b>Clockwise Rotation</b>	<b>Rotazione in senso orario</b>

### DOPO L'INSTALLAZIONE

#### VIBRAZIONI

NOTA: i ventilatori a soffitto tendono a muoversi durante il funzionamento perché sono fissati a una rondella in gomma. Se il ventilatore è fissato rigidamente al soffitto vibrerà in modo eccessivo. Un movimento di pochi centimetri è normale e NON è sintomo di alcun malfunzionamento.

**PER RIDURRE LE VIBRAZIONI DEL VENTILATORE:** controllare che le tutte le viti che fissano la staffa di supporto e l'asta siano avvitate saldamente.

#### RUMOROSITÀ

Quando l'ambiente è silenzioso (in particolare durante le ore notturne), il ventilatore potrebbe produrre occasionalmente dei leggeri rumori. Leggere fluttuazioni dell'alimentazione elettrica e segnali elettrici di frequenza sovrapposti per il controllo dell'acqua calda nelle fasce orarie ridotte possono causare variazioni nel rumore del motore del ventilatore. È un fenomeno normale. La maggior parte dei rumori associati a un nuovo ventilatore scomparirà entro un periodo di assestamento di 24 ore.

La garanzia del produttore copre difetti reali e NON disturbi minori come il rumore del motore in funzione; tutti i motori elettrici producono rumore in una certa misura.

### PULIZIA E MANUTENZIONE

**NOTA: DISATTIVARE sempre l'alimentazione elettrica prima di effettuare le operazioni di pulizia e manutenzione sul ventilatore.**

- La pulizia periodica del ventilatore ogni 6 mesi è l'unica operazione di manutenzione necessaria. Utilizzare una spazzola morbida o un panno privo di pelucchi per evitare di graffiare la finitura. Disattivare l'alimentazione elettrica prima della pulizia.

- Non immergere il ventilatore in acqua o altri liquidi per evitare danni al motore o alle pale e il rischio di scossa elettrica.
- Assicurarsi che la lampada non entri a contatto con detersivi o solventi organici.
- Per pulire le pale del ventilatore, usare esclusivamente un panno pulito e umido **SENZA** detersivi o solventi organici.
- Il motore contiene un cuscinetto permanentemente lubrificato, quindi non è necessario aggiungere lubrificante.

## AVVERTENZE DI SICUREZZA RELATIVE ALLE BATTERIE

- **AVVERTENZA!** Conservare le batterie nuove e scariche fuori dalla portata dei bambini.
- **ATTENZIONE!** Non ingerire la batteria. Rischio di ustioni chimiche.
- Utilizzare esclusivamente 2 batterie AAA per alimentare il telecomando di questo ventilatore.
- Inserire le batterie rispettando la corretta polarità.
- Per evitare l'attivazione involontaria del ventilatore durante l'inserimento o la sostituzione delle batterie, il ventilatore deve essere scollegato dalla rete elettrica.
- Rimuovere le batterie dal prodotto in previsione di un lungo periodo di inutilizzo.
- Rimuovere le batterie dal telecomando prima di smaltirlo.
- Smaltire le batterie scariche immediatamente e in modo sicuro (affinché non possano essere usate dai bambini). Le batterie scariche possono essere pericolose. Contattare le autorità locali per informazioni sullo smaltimento sicuro delle batterie.
- Ispezionare regolarmente il prodotto e assicurarsi che il coperchio del vano batterie sia chiuso saldamente. Se il vano batterie non si chiude saldamente, non usare il prodotto e tenerlo fuori dalla portata dei bambini.

## SPECIFICHE TECNICHE

Ventilatore	Ventilatore da 48" – Aria CTC
Modello di ventilatore / SKU# (Interruttore a muro, senza luce)	ARIA CTC / SKU# 212999, 213000
Modello di ventilatore / SKU# (Telecomando, con luce)	ARIA CTC L / SKU# 213001, 213002
Tensione nominale	220-240 V~ 50 Hz
Potenza nominale (motore)	50 W
Potenza nominale (kit luce)	18 W, 1100 LM, 3000 K, regolabile (varialuce a 3 livelli)
Peso	5,0 kg
Dimensioni della calotta	Altezza: 95 mm Diametro: 130 mm

## INFORMAZIONI SULLA GARANZIA

**IN AUSTRALIA / NUOVA ZELANDA** – Consultare la DICHIARAZIONE DI GARANZIA allegata.

**IN EUROPA** – Gli acquirenti europei possono contattare il punto vendita per eventuali richieste di intervento in garanzia.



## BEDANKT VOOR UW AANKOOP

Bedankt voor de aankoop van dit Lucci-kwaliteitsproduct. Om een juiste en veilige werking te garanderen, moet u de instructies aandachtig lezen en begrijpen alvorens te beginnen met de montage, installatie of het gebruik van het deze plafondventilator. Bewaar deze gebruiksaanwijzing voor toekomstige raadpleging.

## VEILIGHEIDSMATREGELEN

1. In Europa: Dit apparaat kan worden gebruikt door kinderen vanaf 8 jaar en personen met verminderde fysieke, zintuiglijke of mentale vermogens of een gebrek aan ervaring en kennis, indien zij onder toezicht staan of instructies hebben gekregen over het veilige gebruik van het apparaat en als zij de gevaren ervan begrijpen. Reiniging en onderhoud mag zonder toezicht niet door kinderen worden uitgevoerd.
2. In Australië: Dit apparaat is niet bedoeld om te worden gebruikt door personen (inclusief kinderen) met verminderde fysieke, zintuiglijke of mentale vermogens of een gebrek aan ervaring en kennis, tenzij zij onder toezicht staan of instructie hebben gekregen over het gebruik van het apparaat.
3. Kinderen moeten onder toezicht staan om er zeker van te zijn dat ze niet met het apparaat spelen.
4. Zorg dat de ventilator wordt aangesloten op een schakelaar waarbij alle polen worden onderbroken en volg de plaatselijke bedradingsvoorschriften.
5.  Gooi elektrische apparaten niet weg als ongesorteerd huishoudelijk afval. Maak gebruik van aparte inzamelingsfaciliteiten voor elektrische apparatuur. Neem contact op met uw gemeente voor informatie over de beschikbare inzamelingssystemen. Als elektrische apparaten op stortplaatsen terechtkomen, kunnen gevaarlijke stoffen in het grondwater lekken en in de voedselketen terechtkomen, wat schadelijk is voor uw gezondheid en welzijn.
6. De constructie waarop de ventilator wordt gemonteerd moet een gewicht van 30 kg kunnen dragen.
7. De ventilator moet zo worden gemonteerd dat de bladen zich minstens 2,3 m boven de vloer (Europa) of minstens 2,1 m boven de vloer (Australië) bevinden.
8. Deze ventilator is bestemd voor zowel binnen- als buitenshuis en kustgebieden wanneer de ventilator volledig is afgedekt door minstens 1 wand. Deze ventilator is niet waterdicht. Wanneer deze plafondventilator buitenshuis of in een kusgebied wordt geïnstalleerd, kies voor een locatie die tegen water, wind en stof is beschermt. Blootstelling aan deze elementen zal de garantie ongeldig maken. De ventilator op een plaats monteren waar deze aan water of vocht onderhevig is, is gevaarlijk en kan het risico op schade, letsel of elektrische schokken vergroten en zal de garantie ongeldig maken.
9. Het apparaat moet worden gemonteerd en geïnstalleerd door een erkend elektricien.

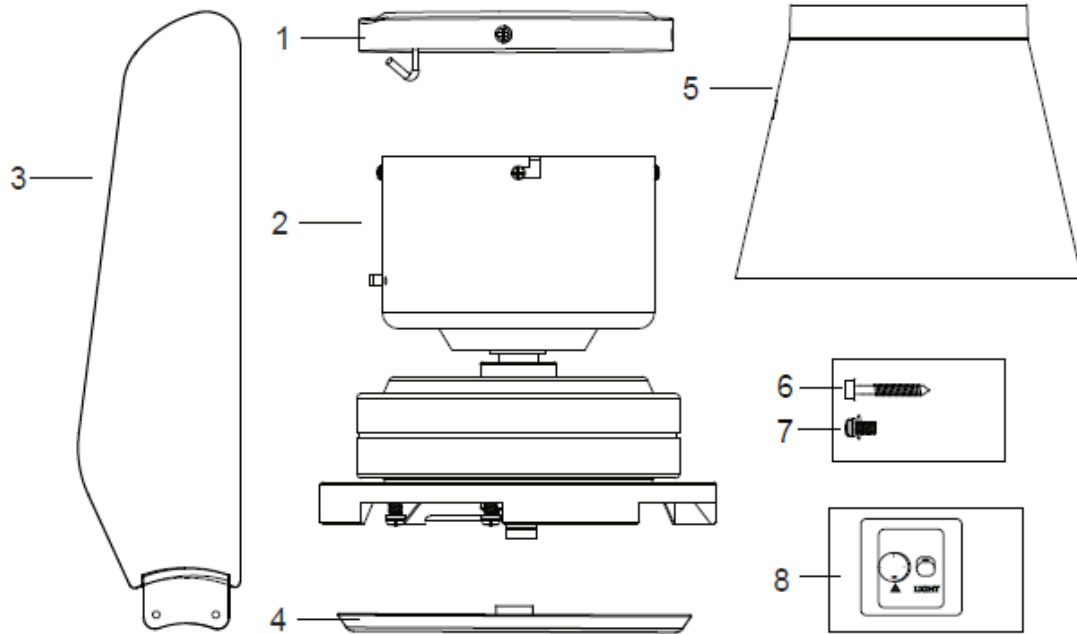
10. **WAARSCHUWING:** Bij ongewone trillingen of oscillerende bewegingen moet het gebruik van de plafondventilator onmiddellijk worden gestaakt en moet contact worden opgenomen met de fabrikant, een servicetechnicus of een daartoe bevoegde persoon.
11. De vervanging van onderdelen van de veiligheidsophanging moet worden uitgevoerd door de fabrikant, een servicetechnicus of een daartoe bevoegde persoon.
12. De bevestigingsmiddelen voor het plafond, zoals haken of andere onderdelen, moeten voldoende stevig worden bevestigd om 4 maal het gewicht van de plafondventilator te kunnen weerstaan; de montage van het ophangstelsel moet worden uitgevoerd door de fabrikant, een servicetechnicus of een daartoe bevoegde persoon.

## ONDERDELENLIJST

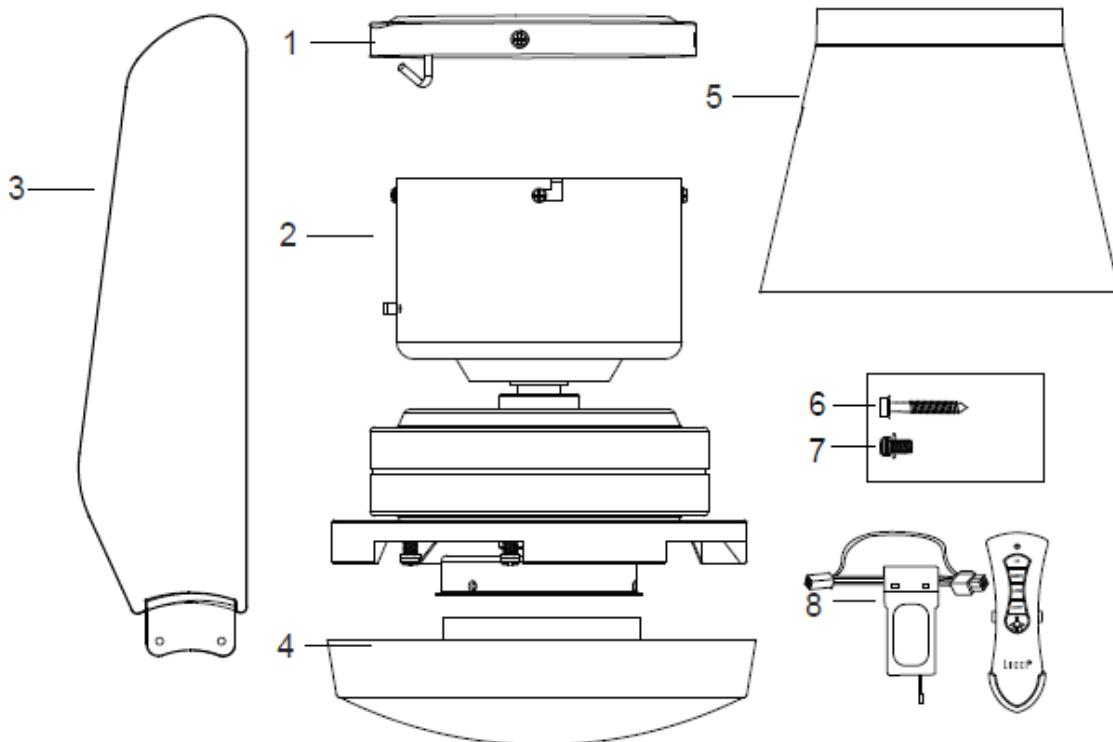
- Pak de plafondventilator voorzichtig uit. Verwijder alle onderdelen en hardware.
- Leg alle onderdelen op een vlakke ondergrond en zorg ervoor dat er geen onderdelen ontbreken voor de montage. Als er onderdelen ontbreken, stuurt u het volledige product terug naar de plaats van aankoop voor inspectie of vervanging.
- Controleer of de plafondventilator tijdens het transport is beschadigd. Bedien/installeer geen product dat op welke wijze dan ook beschadigd lijkt te zijn. Stuur het beschadigde product terug naar de plaats van aankoop voor inspectie of vervanging.
- Controleer of alle onderdelen aanwezig zijn. U zou het volgende moeten hebben:

Ventilator met wandchakelaar (zonder lichtmodule) (SKU# 212999 & 213000)		Ventilator met afstandsbediening (met lichtmodule) (SKU# 213001 & 213002)	
1	Montagebeugel x 1	1	Montagebeugel x 1
2	Motoreenheid X 1	2	Motoreenheid X 1
3	Ventilatorblad x 4	3	Ventilatorblad x 4
4	Onderplaat voor motor x 1	4	LED-lichtmodule x 1
5	Kap voor motorbehuizing x 1	5	Kap voor motorbehuizing x 1
6	Montageschroef x 4	6	Montageschroef x 4
7	Reserveschroef voor ventilatorblad x 1	7	Reserveschroef voor ventilatorblad x 1
8	Wandchakelaar x 1 set	8	Afstandsbedieningsontvanger en afstandsbediening x 1 set

Ventilator met wandschakelaar (zonder lichtmodule) SKU# 212999 & 213000



Ventilator met afstandsbediening (met lichtmodule) SKU# 213001 & 213002

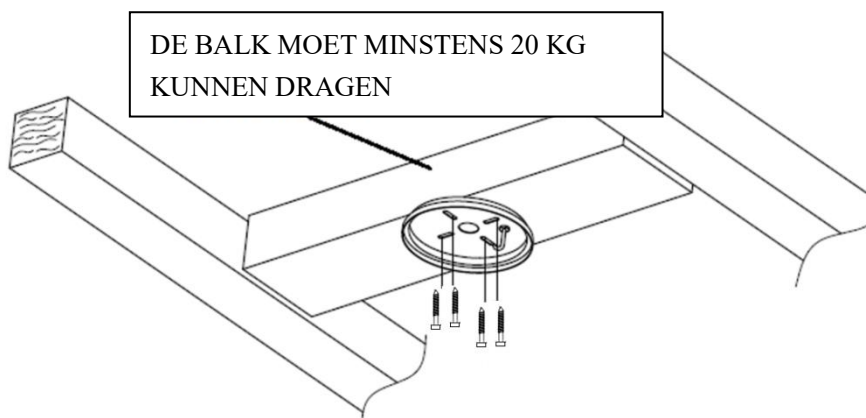


Afb. 1



## DE MONTAGEBEUGEL INSTALLEREN

- De plafondventilator moet zodanig worden geïnstalleerd dat het uiteinde van de bladen minstens 300 mm verwijderd is van het dichtstbijzijnde object of de muur.
- Monteer de ophangbeugel met de 4 lange meegeleverde schroeven aan een plafondbalk of een stevig punt aan het plafond dat minstens 20 kg kan dragen. Zorg ervoor dat ten minste 30 mm van de schroef in het plafond wordt gedraaid. (Afb. 2)



Afb. 2

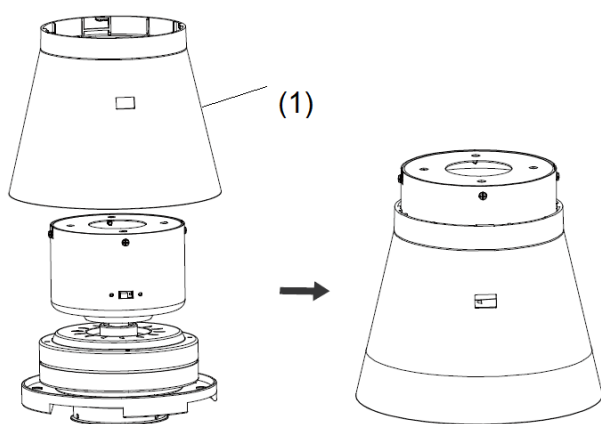
**OPMERKING:** De meegeleverde beugelschroeven zijn alleen voor gebruik met houten constructies. Voor andere constructies dan hout, gebruik **ALLEEN** gepaste schroeven. Controleer of de gebruikte schroeven geschikt zijn voor het montageoppervlak.

## PLAATSING ONDER EEN HOEK

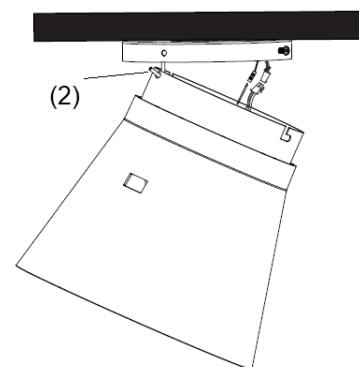
Dit hangstelsel van de ventilator **ONDERSTEUNT GEEN** installatie aan een schuin plafond.

## DE VENTILATOR AAN DE MOTOREENHEID HANGEN

- Installeer de motorbehuizing (1) op de motoreenheid. (Afb.3)
- Til de ventilatoreenheid op de montagebeugel. Hang de ventilatoreenheid aan de J-haak (2) van de montagebeugel. (Afb.4)
- Voltooi de elektrische bedrading volgens de onderstaande sectie 'ELEKTRISCH BEDRADINGSSHEMA'.



Afb. 3



Afb. 4



**DE VENTILATOR VAN ELEKTRISCHE BEDRADING VOORZIEN**

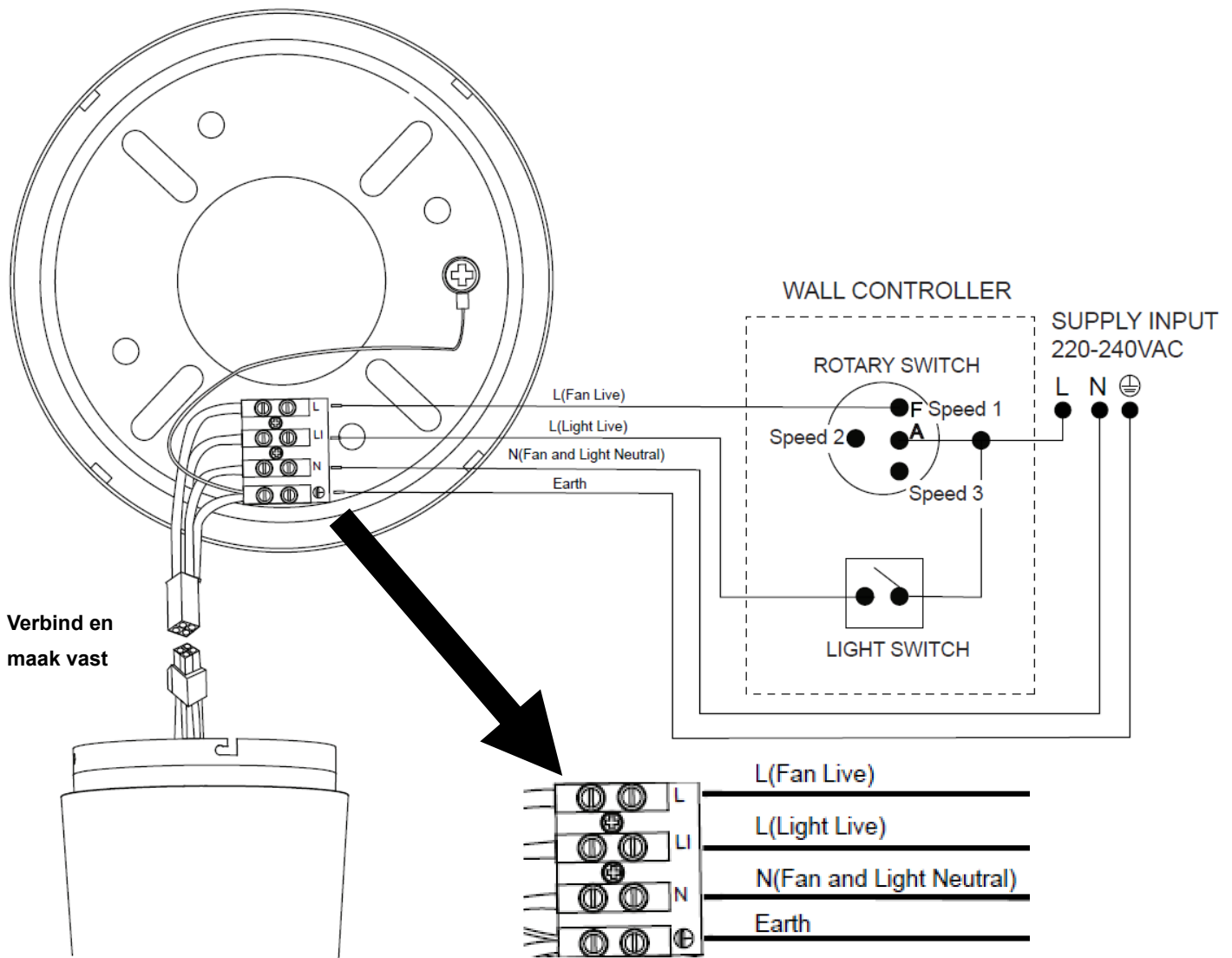
**WAARSCHUWING:** VOOR UW VEILIGHEID MOETEN ALLE ELEKTRISCHE AANSLUITINGEN WORDEN UITGEVOERD DOOR EEN ERKEND ELEKTRICIEN.

**OPMERKING:** IN DE VASTE BEDRADING MOET EEN EXTRA MEERPOLIGE SCHEIDINGSSCHAKELAAR WORDEN OPGENOMEN.

**OPMERKING:** Het bedradingschema bevat de bedrading van de lichtmodule. Houd hier geen rekening mee wanneer de plafondventilator niet met een lichtmodule is uitgerust.

**BEDRADINGSSCHEMA VOOR MODELLEN MET WANDSCHAKELAAR (Afb.5):**

- Sluit de draden L, N en Aarding aan op het aansluitblok van de montagebeugel, zoals aangegeven in het onderstaande schema van Afb. 5. Opmerking: Negeer de bedrading van de lichtmodule, gezien dit model niet met een lichtmodule is uitgerust.
- Maak de snelkoppelingen van de ventilator en deze van de montagebeugel stevig aan elkaar vast.



Afb. 5

This fan is suitable for indoor, alfresco and coastal areas where the fan is fully undercover with a minimum of 1 walls. This fan is not waterproof. When installed in an alfresco or coastal area, the ceiling fan must be positioned in a location protected from water, wind and dust. Exposure to these elements will void the warranty. Mounting the fan in a situation where it is subject to water or moisture is dangerous.



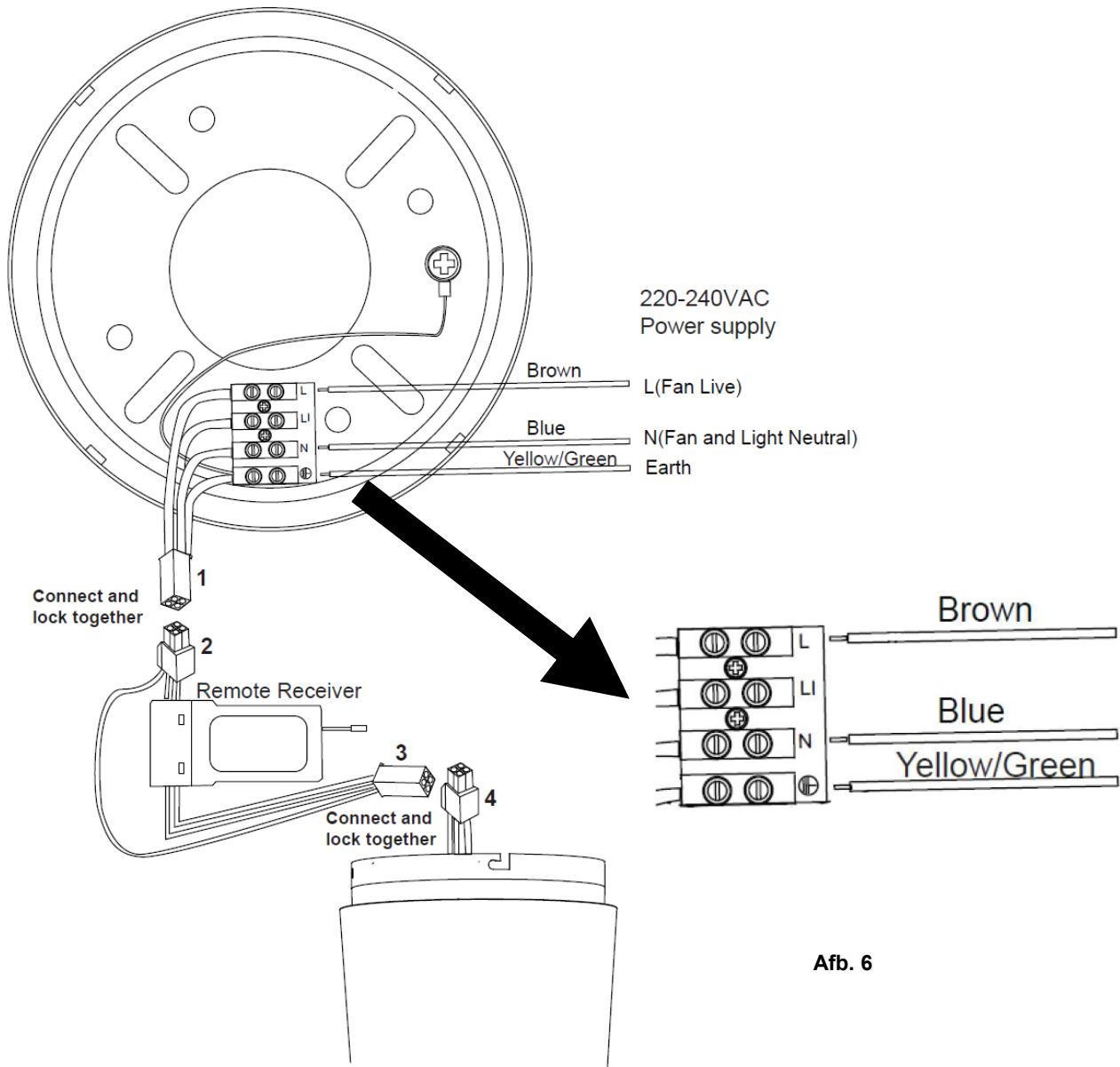
SUPPLY INPUT 220-240VAC	VOEDINGSINGANG 220-240VAC
WALL CONTROLLER	WANDSCHAKELAAR
ROTARY SWITCH	DRAAISCHAKELAAR
Speed 1	Snelheid 1
Speed 2	Snelheid 2
Speed 3	Snelheid 3
LIGHT SWITCH	LICHTSCHAKELAAR
L (Fan Live)	L (Ventilator onder stroom)
L (Light Live)	L (Verlichting onder stroom)
N (Fan and Light Neutral)	N (Ventilator en licht neutraal)
Earth	Aarding

### **BEDRADINGSCHEMA VOOR MODELLEN MET AFSTANDSBEDIENING (Afb.6):**

- Sluit de draden L, N en Aarding aan op het aansluitblok van de montagebeugel, zoals aangegeven in het onderstaande schema van Afb. 6.
- Maak de snelkoppelingen van de montagebeugel (1) en deze van de afstandsbedieningsontvanger (2) stevig aan elkaar vast.
- Maak de snelkoppelingen van de afstandsbedieningsontvanger (3) en deze van de ventilator (4) stevig aan elkaar vast.
- Breng de afstandsbedieningsontvanger aan in de holte van de motoreenheid en sluit deze aan op de interne bedrading.



VOOR SKU# 213001 & 213002



Brown	Bruin
Blue	Blauw
Yellow/Green	Geel/Groen
220-240VAC Power supply	220-240VAC voeding
Remote Receiver	Afstandsbedieningsontvanger

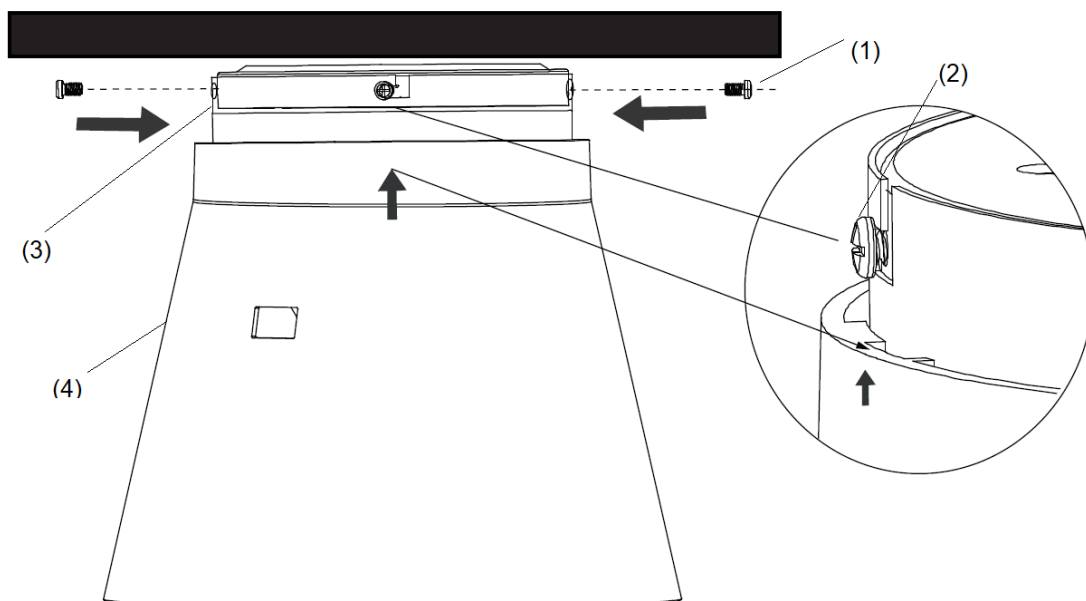
This fan is suitable for indoor, alfresco and coastal areas where the fan is fully undercover with a minimum of 1 walls. This fan is not waterproof. When installed in an alfresco or coastal area, the ceiling fan must be positioned in a location protected from water, wind and dust. Exposure to these elements will void the warranty. Mounting the fan in a situation where it is subject to water or moisture is dangerous.

### DE VENTILATOREENHEID OP DE MONTAGEBEUGEL INSTALLEREN

- Na het voltooien van de elektrische aansluiting op het aansluitblok van de montagebeugel;
- **Ventilator zonder** afstandsbedieningsontvanger en lichtmodule: sluit de bedrading van de plafondventilator aan via de snelkoppeling;
- **Ventilator met** afstandsbedieningsontvanger en lichtmodule: sluit de afstandsbedieningsontvanger en de plafondventilator aan via de snelkoppeling;
- Zorg ervoor dat de aardebedrading veilig en correct is, door een aardingscontinuïteitstest uit te voeren vanaf de metalen behuizing van de ventilator tot aan de aardklem op het aansluitblok van de montagebeugel.

Installeer de ventilatoreenheid op de montagebeugel (Afb.7)

- De montagebeugel is voorzien van 4 vooraf aangebrachte schroeven.
- Draai twee afdekkingsschroeven met sterring (2) een halve slag uit de montagebeugel. (Voor L-vormige sleuf op de te monteren afdekking).
- Draai twee afdekkingsschroeven (1) los en verwijder de montagebeugel.
- Til de hangende afdekking van de gemonteerde ventilator op de montagebeugel en laat de L-vormige sleuf aan de hangende afdekking door twee afdekkingsschroeven met sterring (2) gaan.
- Draai de hangende afdekking totdat deze vast klikt aan het eindgedeelte van de L-vormige sleuf. Zorg dat de sterring zich tussen de hangende afdekking (3) en de schroefkop bevindt. Zet vast door de twee afdekkingsschroeven met sterring (2) vast te draaien.
- Draai de afdekkingsschroeven (1) op de montagebeugel vast. De hangende afdekking (3) moet in het totaal van 4 schroeven (1) & (2) zijn voorzien. Vermijd beschadiging van de eerder voorbereide elektrische bedrading tijdens het ophangen van de afdekking.
- Bevestig tenslotte de afdekking (4) op de bevestigingsbeugel, maak hem vast door de haken van de afdekking in de gaten van de sleuf van de afdekking te drukken en deze tegen de klok in te draaien.

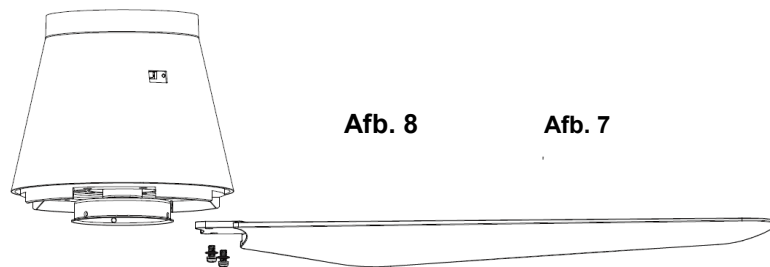


Afb. 7

## DE VENTILATORBLADEN EN LICHTMODULE INSTALLEREN

### DE VENTILATORBLADEN VASTMAKEN (Afb.8)

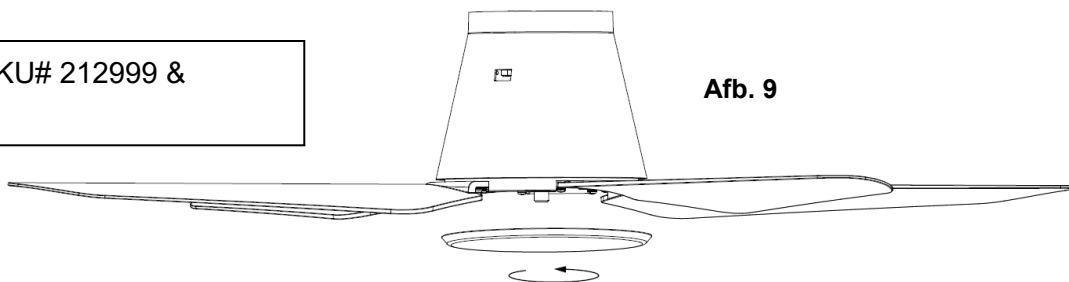
1. Voor het installeren van de ventilatorbladen, verwijder de schroeven en de platte sluitringen uit de onderkant van de ventilatormotor.
2. Breng de 2 gaten op het ventilatorblad op één lijn met het draaiend deel van de motoreenheid en gebruik de 2 schroeven van stap 1 om het ventilatorblad aan de motoreenheid vast te maken. Zorg dat de schroeven gelijkmatig zijn vastgedraaid om de kans op vervorming of niet in evenwicht te beperken. Let erop dat u de schroeven niet te vastdraait, omdat dit de bladen kan beschadigen.
3. Zodra voltooid, doe hetzelfde voor de andere ventilatorbladen.



### DE ONDERPLAAT INSTALLEREN (VOOR VENTILATOR ZONDER VERLICHTING Afb.9)

Maak de onderplaat vast door deze met de klok te draaien.

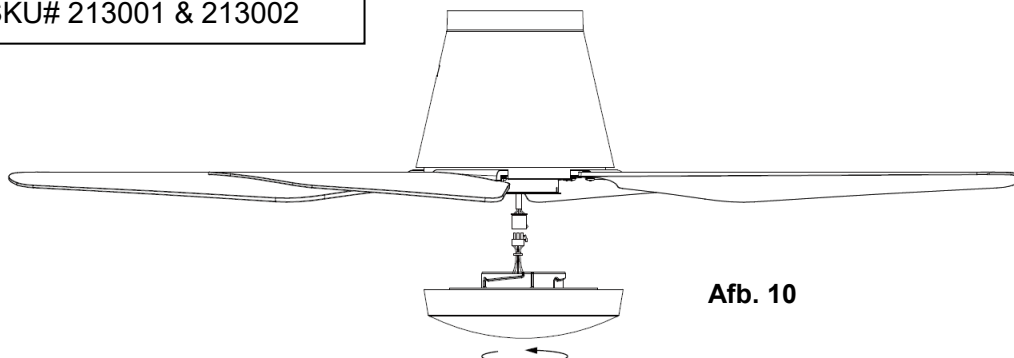
VOOR SKU# 212999 &  
213000



### DE LED-LICHTMODULE INSTALLEREN (VOOR VENTILATOR MET VERLICHTING Afb.10)

- Maak de LED-lichtmodule vast aan de onderkant van de lampenvoet en sluit de draden aan op de LED-lichtmodule via de snelkoppelingen.
- Maak de LED-lichtmodule vast op de lampenvoet door de behuizing van de LED-lichtmodule met de klok mee te draaien. Zorg dat de draden niet kruisen of geknikt raken om schade aan de draden te voorkomen.

VOOR SKU# 213001 & 213002



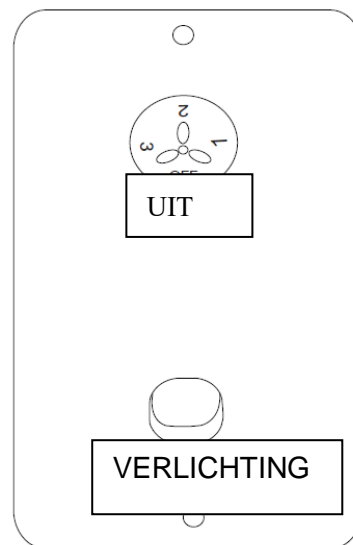
**UW PLAFONDVENTILATOR GEBRUIKEN – WANDSCHAKELAAR (SKU# 212999 & 213000)**

**BEDIENING VIA WANDSCHAKELAAR (Afb. 11)**

Schakel de ventilator in en controleer de werking van de ventilator.

- UIT stand – Ventilator uit
- 3e positie – Lage ventilatorsnelheid
- 2e positie – Medium ventilatorsnelheid
- 1ste positie – Hoge ventilatorsnelheid

Afb. 11



**LICHTBEDIENING (Optioneel)**

- Tuimelschakelaar - Aan/uit

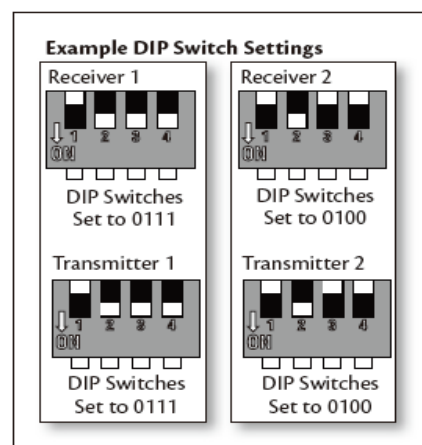
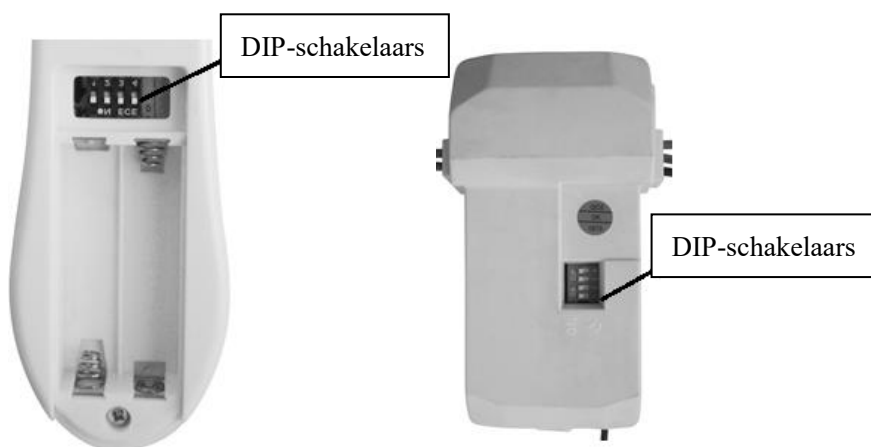
**UW PLAFONDVENTILATOR GEBRUIKEN – AFSTANDSBEDIENING (SKU# 213001 & 213002)**

Uw plafondventilator wordt door middel van de afstandsbediening bediend. Er zijn 4 knoppen (HI, MED, LOW, OFF) om de ventilatorsnelheid te regelen en één knop om de verlichting aan/uit te zetten. **Afb. 14** Alvorens de afstandsbediening te gebruiken, houd rekening met het volgende.

- De afstandsbediening werkt op 2 x AAA 1,5V batterijen. Verwijder het batterijdeksel aan de achterkant van de afstandsbediening en installeer 2 x AAA batterijen. Installeer de batterijen volgens de juiste polariteit zoals afgebeeld in het batterijvak. **(Afb.12)** (Batterijen niet inbegrepen.)
- De zender (afstandsbediening) en de ontvanger moeten aan elkaar zijn gekoppeld zodat communicatie tussen beiden mogelijk is. Dit wordt bereikt door de DIP-schakelaar op de ontvanger en de afstandsbediening op dezelfde instelling te zetten. **Afb. 13**

Opmerking: Er zijn in het totaal 4 DIP-schakelaars om tot 16 verschillende zendcodecombinaties te kunnen instellen. Dit is handig wanneer er meerdere afstandsbedieningen/ontvangers in dezelfde ruimte worden gebruikt.

**Opmerking: Om toegang tot de DIP-schakelaars van de ontvanger te krijgen, verwijder het deksel.**



<b>Example DIP Switch Settings</b>	<b>Voorbeeld van DIP-schakelaar instellingen</b>
<b>Receiver 1</b>	<b>Ontvanger 1</b>
<b>DIP Switches Set to 0111</b>	<b>DIP-schakelaars ingesteld op 0111</b>
<b>Receiver 2</b>	<b>Ontvanger 2</b>
<b>DIP Switches Set to 0100</b>	<b>DIP-schakelaars ingesteld op 0100</b>
<b>Transmitter 1</b>	<b>Zender 1</b>
<b>DIP Switches Set to 0111</b>	<b>DIP-schakelaars ingesteld op 0111</b>
<b>Transmitter 2</b>	<b>Zender 2</b>
<b>DIP Switches Set to 0100</b>	<b>DIP-schakelaars ingesteld op 0100</b>

Afb. 12 Batterijvak van afstandsbediening

Afb. 13 DIP-schakelaars van ontvanger

**DE AFSTANDSBEDIENING GEBRUIKEN:**

Voordat u de afstandsbediening gebruikt, lees deze sectie grondig door om uzelf vertrouwd te maken met de knoppen en hun functie.

**LED-controlelampje**

Het rode LED-controlelampje aan de bovenkant van de zender knippert wanneer de knoppen actief zijn.

**KNOPPEN OP DE AFSTANDSBEDIENING**

**HI:** Druk op de knop om de ventilator op hoge snelheid te laten draaien.

**MED:** Druk op de knop om de ventilator op medium snelheid te laten draaien.

**LOW:** Druk op de knop om de ventilator op lage snelheid te laten draaien.

**OFF:** Druk op de knop om de ventilator UIT te schakelen.



Afb. 14

<b>LED indicator</b>	<b>LED-controlelampje</b>
<b>Turn on the fan at high speed</b>	<b>De ventilator op hoge snelheid inschakelen</b>
<b>Turn on the fan at medium speed</b>	<b>De ventilator op medium snelheid inschakelen</b>
<b>Turn on the fan at low speed</b>	<b>De ventilator op lage snelheid inschakelen</b>
<b>Turn off the fan</b>	<b>De ventilator uitschakelen</b>
<b>Turn on / off the light</b>	<b>Het licht in-/uitschakelen</b>



## LICHTREGELING



: Druk op de knop om het licht aan of uit de zetten.

De afstandsbediening beschikt over een geheugenfunctie. Als de ventilator of de verlichting wordt uitgeschakeld door de isolatieschakelaar, dan wordt de laatste status opgeslagen en bij de volgende inschakeling opnieuw ingesteld.

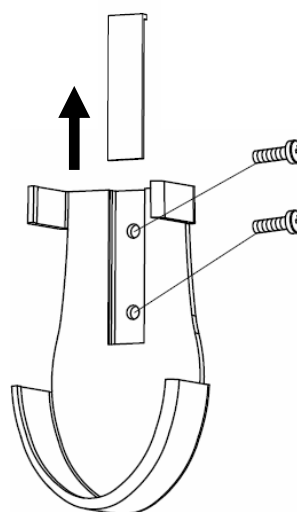
De LED-lichtmodule is voorzien van een dimfunctie in 3 stappen die door een AAN/UIT-schakelaar bediend kan worden. Gebruik de AAN/UIT-schakelaar van de lamp 4 keer in 5 seconden en de lamp zal op de volgende manier branden:

100% helderheid → 60% helderheid → 10% helderheid → 100% helderheid

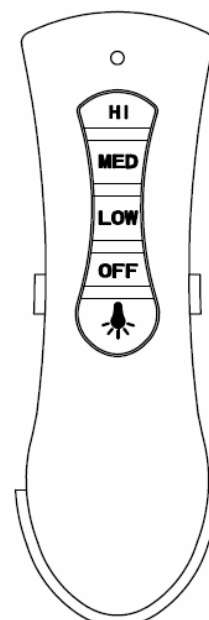
Om op elk moment naar 100% helderheid terug te gaan, schakel de lamp uit en vervolgens na 5 seconden opnieuw in.

## DE HOUDER VOOR DE AFSTANDBEDIENING INSTALLEREN (Afb. 15)

1. Zoek een gepaste muur of oppervlak om de houder voor de afstandsbevestiging aan vast te maken.
2. Verwijder de schroefdop en installeer de houder met behulp van 2 schroeven. Breng de schroefdop vervolgens opnieuw aan. (Afb. 15a).
3. Schuif de afstandsbediening in de houder. (Afb. 15b).



Afb. 15a



Afb. 15b

## OMKEERSCHAKELAAR (Afb. 16)

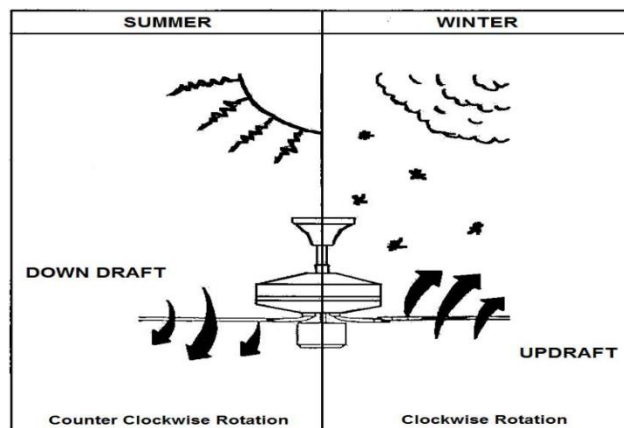
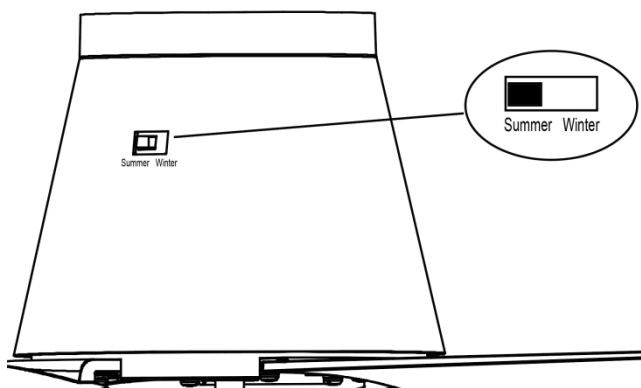
Uw plafondventilator kan in de zomer- of wintermodus werken.

**ZOMER modus:** Zet de omkeerschakelaar in de positie SUMMER (zomer) zodat de ventilator tegen de klok in draait. De luchtstroom wordt omlaag gericht om tijdens de zomer af te koelen.

**WINTER modus:** Zet de omkeerschakelaar in de positie WINTER zodat de ventilator met de klok mee draait. De luchtstroom wordt omhoog gericht voor een betere circulatie van de warme lucht en energiebesparing tijdens de winter.







Afb. 16

<b>SUMMER</b>	<b>SUMMER</b>
<b>WINTER</b>	<b>WINTER</b>
<b>DOWN DRAFT</b>	<b>NEERWAARTSE LUCHTSTROOM</b>
<b>UPDRAFT</b>	<b>OPWAARTSE LUCHTSTROOM</b>
<b>Counter Clockwise Rotation</b>	<b>Tegen de klok in draaien</b>
<b>Clockwise Rotation</b>	<b>Met de klok mee draaien</b>

**NA INSTALLATIE**

**SCHOMMELEN:**

**OPMERKING:** plafondventilatoren hebben de neiging om tijdens het gebruik te bewegen door het feit dat ze op een rubberen doorvoertules zijn gemonteerd. Als de ventilator vast aan het plafond werd gemonteerd, zou dit buitensporige trillingen veroorzaken. Bewegingen van enkele centimeters zijn acceptabel en is geen defect van het apparaat.

**OM HET WIEBELEN VAN DE VENTILATOR TE VERMINDEREN:** Controleer of alle schroeven waarmee de montagebeugel en de onderstang zijn bevestigd, goed vastzitten.


**GELUID:**

Wanneer het stil is (vooral 's nachts) kan het zijn dat u af en toe kleine geluiden hoort. Lichte stroomschommelingen en frequentiesignalen die op het elektriciteitssignaal worden gesuperponeerd voor de warmwaterbeheersing buiten de piekuren, kunnen een verandering in het geluid van de ventilatormotor veroorzaken. Dit is normaal. Houd rekening met een "instelperiode" van 24 uur. De meeste geluiden die gepaard gaan met een nieuwe ventilator verdwijnen gedurende deze periode. De garantie van de fabrikant dekt de werkelijke fouten die zich kunnen ontwikkelen en NIET kleine klachten zoals motorgeluid - Alle elektromotoren produceren tot op zekere hoogte geluid.

**ONDERHOUD EN REINIGING**

**OPMERKING:** Schakel altijd eerst de stroom uit met de netschakelaar voordat u onderhoud uitvoert of uw ventilator probeert te reinigen.

- Elke 6 maanden is periodieke reiniging van uw plafondventilator het enige onderhoud dat nodig is. Gebruik een zachte borstel of pluïsvrije doek om krassen op de laklaag te voorkomen. Schakel de elektriciteit uit als u dat doet.



This fan is suitable for indoor, alfresco and coastal areas where the fan is fully undercover with a minimum of 1 walls. This fan is not waterproof. When installed in an alfresco or coastal area, the ceiling fan must be positioned in a location protected from water, wind and dust. Exposure to these elements will void the warranty. Mounting the fan in a situation where it is subject to water or moisture is dangerous.



- Laat uw plafondventilator niet weken of onderdompelen in water of andere vloeistoffen. Het kan de motor of de ventilatorbladen beschadigen en een elektrische schok veroorzaken.
- Zorg ervoor dat de fitting niet in contact komt met organische oplosmiddelen of reinigingsmiddelen.
- Om het ventilatorblad te reinigen, veeg het af met een vochtige, schone doek met GEEN organische oplosmiddelen of reinigingsmiddelen.
- De motor heeft een permanent gesmeerde kogellager zodat er geen olie nodig is.

## VEILIGHEIDSMATREGELEN VOOR DE BATTERIJEN

- **WAARSCHUWING** – Houd nieuwe en gebruikte batterijen uit de buurt van kinderen.
- **OPGELET** – Slik batterijen niet in - gevaar voor chemische brandwonden.
- Gebruik altijd 2 x AAA-batterijen voor de afstandsbediening.
- Zorg ervoor dat de batterijen volgens de juiste polariteit zijn geplaatst.
- Om te voorkomen dat de plafondventilator tijdens het plaatsen of vervangen van de batterijen verkeerd wordt gebruikt, moet de plafondventilator worden uitgeschakeld.
- Verwijder de batterijen als u het apparaat voor langere tijd niet gebruikt.
- De batterijen moeten uit de afstandsbediening worden verwijderd voordat het apparaat wordt afgedankt.
- Gooi gebruikte batterijen onmiddellijk en veilig weg (zodat ze niet door kinderen kunnen worden bereikt). Batterijen kunnen nog steeds gevaarlijk zijn. Neem contact op met uw gemeente om de batterijen veilig af te voeren.
- Controleer het product regelmatig en zorg ervoor dat het deksel van het batterijvak goed vastzit. Als het batterijvak niet goed kan worden afgesloten, mag u het product niet meer gebruiken en moet u het buiten het bereik van kinderen houden.

## TECHNISCHE INFORMATIE

Ventilator	48" fan – Aria CTC
Ventilatormodellen / SKU# (Wandschakelaar zonder verlichting)	ARIA CTC / SKU# 212999, 213000
Ventilatormodellen / SKU# (Afstandsbediening met verlichting)	ARIA CTC L / SKU# 213001, 213002
Nominale spanning	220-240 V~ 50Hz
Nominaal vermogen (motor)	50W
Nominaal vermogen (lamp)	18W, 1100 LM, 3000K, Dimbaar (in 3 stappen)
Gewicht	5,0 kg
Afmetingen van de overkapping	H:95mm Dia:130mm

## INFORMATIE OVER DE GARANTIE

**IN AUSTRALIË / NIEUW ZEELAND** - Raadpleeg de afzonderlijke garantieverklaring.


**IN EUROPA** - Als u een Europese klant bent, neem dan contact op met het verkooppunt waar de ventilator is gekocht voor garantieservice.



## ΕΥΧΑΡΙΣΤΟΥΜΕ ΓΙΑ ΤΗΝ ΑΓΟΡΑ ΣΑΣ

Ευχαριστούμε που αγοράσατε αυτό το προϊόν υψηλής ποιότητας της Lucci. Για να διασφαλιστεί ότι το προϊόν θα λειτουργεί σωστά και με ασφάλεια, διαβάστε και φυλάξτε όλες τις οδηγίες πριν συναρμολογήσετε, εγκαταστήσετε και χρησιμοποιήσετε τον ανεμιστήρα οροφής. Φυλάξτε τις οδηγίες για μελλοντική αναφορά.

## ΠΡΟΦΥΛΑΞΕΙΣ ΑΣΦΑΛΕΙΑΣ

1. Για την Ευρώπη: Αυτή η συσκευή μπορεί να χρησιμοποιηθεί από παιδιά ηλικίας 8 χρονών και πάνω και από άτομα με περιορισμένες σωματικές, αισθητήριες ή διανοητικές ικανότητες, ή από άτομα με ελλιπή εμπειρία και γνώσεις, εφόσον επιβλέπονται ή έχουν λάβει οδηγίες για την ασφαλή χρήση της συσκευής και κατανοούν τους εμπλεκόμενους κινδύνους. Οι εργασίες καθαρισμού και συντήρησης δεν πρέπει να πραγματοποιούνται από παιδιά χωρίς επίβλεψη.
2. Για την Αυστραλία: Η συσκευή δεν προορίζεται για χρήση από άτομα (περιλαμβανομένων των παιδιών) με περιορισμένες σωματικές, αισθητήριες ή διανοητικές ικανότητες, ούτε από άτομα που δεν έχουν την εμπειρία ή τις απαραίτητες γνώσεις, εκτός εάν επιβλέπονται ή έχουν λάβει οδηγίες για τη χρήση της συσκευής από άτομο υπεύθυνο για την ασφάλειά τους.
3. Τα παιδιά πρέπει να επιβλέπονται, ώστε να διασφαλίζεται ότι δεν παίζουν με τη συσκευή.
4. Η σταθερή καλωδίωση θα πρέπει να περιλαμβάνει διακόπτη απομόνωσης όλων των αγωγών ρεύματος (φάσεις και ουδέτερο) σύμφωνα τους τοπικούς ηλεκτρολογικούς κανονισμούς.
5.  Οι ηλεκτρικές συσκευές δεν πρέπει να απορρίπτονται μαζί με τα οικιακά απορρίμματα. Χρησιμοποιήστε ξεχωριστές εγκαταστάσεις συλλογής απορριμμάτων. Απευθυνθείτε στις τοπικές αρχές για πληροφορίες σχετικά με τα διαθέσιμα συστήματα συλλογής. Αν τα απόβλητα ηλεκτρικών συσκευών απορρίπτονται σε χωματερές, υπάρχει κίνδυνος να διαρρεύσουν επικίνδυνες ουσίες στα υπόγεια ύδατα και να περάσουν στην τροφική αλυσίδα, με κίνδυνο για την υγεία σας.
6. Η κατασκευή πάνω στην οποία θα κρεμαστεί ο ανεμιστήρας θα πρέπει να μπορεί να υποστηρίξει βάρος 30 κιλών.
7. Ο ανεμιστήρας θα πρέπει να τοποθετηθεί με τέτοιο τρόπο, ώστε οι λεπίδες να βρίσκονται τουλάχιστον 2,3 μέτρα πάνω από το δάπεδο για την Ευρώπη ή τουλάχιστον 2,1 μέτρα πάνω από το δάπεδο για την Αυστραλία.
8. Αυτός ο ανεμιστήρας μπορεί να εγκατασταθεί σε εσωτερικό και σε εξωτερικό χώρο, καθώς και σε παράκτιες περιοχές, εφόσον ο ανεμιστήρας καλύπτεται πλήρως από τουλάχιστον 1 τοίχο. Ο ανεμιστήρας δεν είναι αδιάβροχος. Αν εγκατασταθεί σε εξωτερικό χώρο ή σε παράκτια περιοχή, θα πρέπει να είναι προστατευμένος από το νερό, τον αέρα και τη σκόνη. Αν εκτίθεται σε αυτά τα στοιχεία, η εγγύηση ακυρώνεται. Η εγκατάσταση του ανεμιστήρα σε χώρο εκτεθειμένο σε νερό ή υγρασία είναι

επικίνδυνη και αυξάνει τον κίνδυνο ζημιάς, τραυματισμού ή ηλεκτροπληξίας και ακυρώνει την εγγύηση.

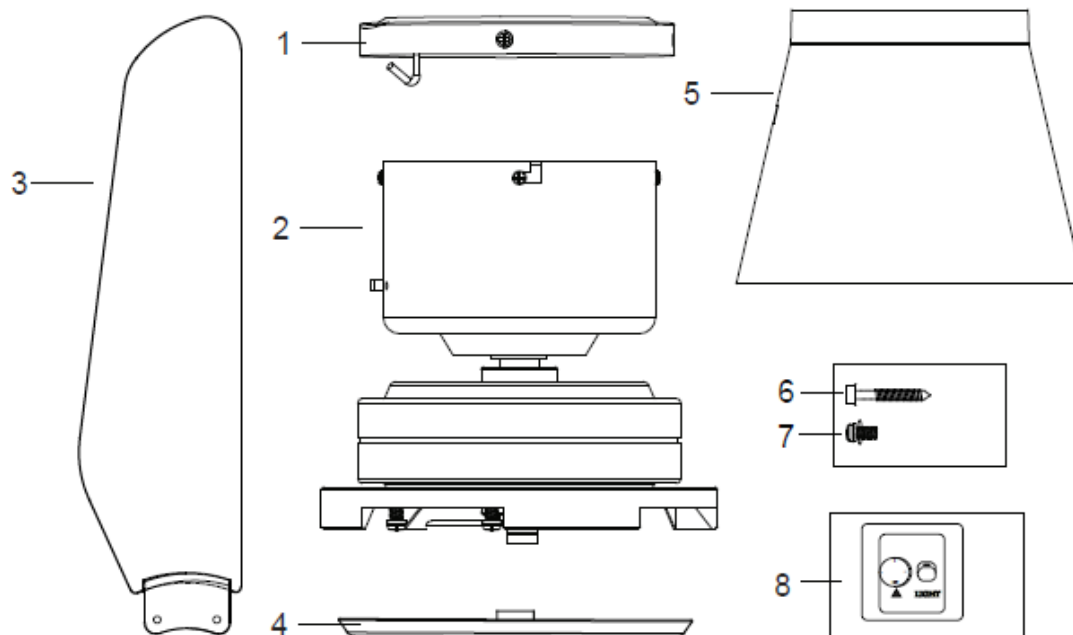
9. Η εγκατάσταση πρέπει να πραγματοποιηθεί από επαγγελματία ηλεκτρολόγο.
10. ΠΡΟΕΙΔΟΠΟΙΗΣΗ: Εάν παρατηρήσετε ότι ο ανεμιστήρας οροφής τραντάζεται ή ταλαντεύεται περίεργα, σταματήστε αμέσως να χρησιμοποιείτε τον ανεμιστήρα και επικοινωνήστε με τον κατασκευαστή, τον αντιπρόσωπο σέρβις του κατασκευαστή ή κατάλληλο επαγγελματία.
11. Η αντικατάσταση των εξαρτημάτων του συστήματος ανάρτησης ασφαλείας πρέπει να πραγματοποιείται από τον κατασκευαστή, τον αντιπρόσωπο σέρβις του κατασκευαστή ή κατάλληλο επαγγελματία.
12. Τα εξαρτήματα προσάρτησης στην οροφή, όπως είναι τα άγκιστρα ή άλλες διατάξεις, πρέπει να στερεώνονται κατάλληλα, έτσι ώστε να αντέχουν 4 φορές το βάρος του ανεμιστήρα οροφής. Το σύστημα ανάρτησης θα πρέπει να τοποθετηθεί από τον κατασκευαστή, τον αντιπρόσωπο σέρβις του κατασκευαστή ή κατάλληλο επαγγελματία.

### ΛΙΣΤΑ ΕΞΑΡΤΗΜΑΤΩΝ

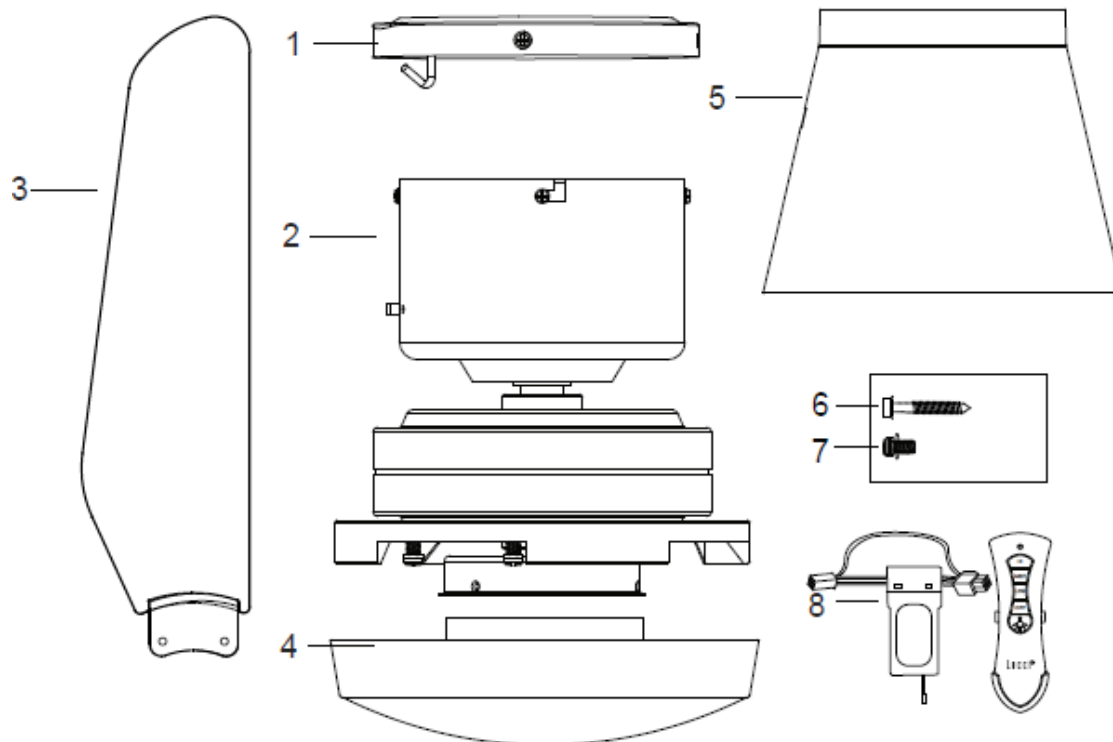
- Αφαιρέστε προσεκτικά τον ανεμιστήρα οροφής από τη συσκευασία. Αφαιρέστε όλα τα εξαρτήματα και τον εξοπλισμό.
- Τακτοποιήστε όλα τα εξαρτήματα σε ομαλή επιφάνεια και βεβαιωθείτε ότι δεν λείπει κανένα εξάρτημα, πριν ξεκινήσετε τη συναρμολόγηση. Αν λείπουν εξαρτήματα, επιστρέψτε ολόκληρο το προϊόν στο κατάστημα αγοράς για έλεγχο ή αντικατάσταση.
- Ελέγξτε μήπως ο ανεμιστήρας οροφής έχει υποστεί ζημιά κατά τη μεταφορά. Αν φαίνεται να υπάρχει οποιαδήποτε ζημιά, μη θέσετε σε λειτουργία / μην εγκαταστήσετε το προϊόν. Επιστρέψτε ολόκληρο το προϊόν στο κατάστημα αγοράς για έλεγχο, επισκευή ή αντικατάσταση.
- Ελέγξτε όλα τα εξαρτήματα και βεβαιωθείτε ότι υπάρχουν τα ακόλουθα (Εικ. 1):

Ανεμιστήρας με επιτοίχιο πίνακα ελέγχου (χωρίς φωτιστικό) (αρ. SKU 212999 και 213000)		Ανεμιστήρας με τηλεχειριστήριο (με φωτιστικό) (αρ. SKU 213001 και 213002)	
1	Στοιχείο ανάρτησης x 1	1	Στοιχείο ανάρτησης x 1
2	Συγκρότημα μοτέρ x 1	2	Συγκρότημα μοτέρ x 1
3	Πτερύγια x 4	3	Πτερύγια x 4
4	Κάτω κάλυμμα μοτέρ x 1	4	Σετ φωτιστικού LED x 1
5	Κάλυμμα περιβλήματος μοτέρ x 1	5	Κάλυμμα περιβλήματος μοτέρ x 1
6	Βίδες στερέωσης x 4	6	Βίδες στερέωσης x 4
7	Εφεδρική βίδα για πτερύγιο ανεμιστήρα x 1	7	Εφεδρική βίδα για πτερύγιο ανεμιστήρα x 1
8	Επιτοίχιος διακόπτης x 1 σετ	8	Δέκτης τηλεχειρισμού και τηλεχειριστήριο x 1 σετ

Ανεμιστήρας με επιτοίχιο πίνακα ελέγχου (χωρίς φωτιστικό) αρ. SKU 212999 και 213000



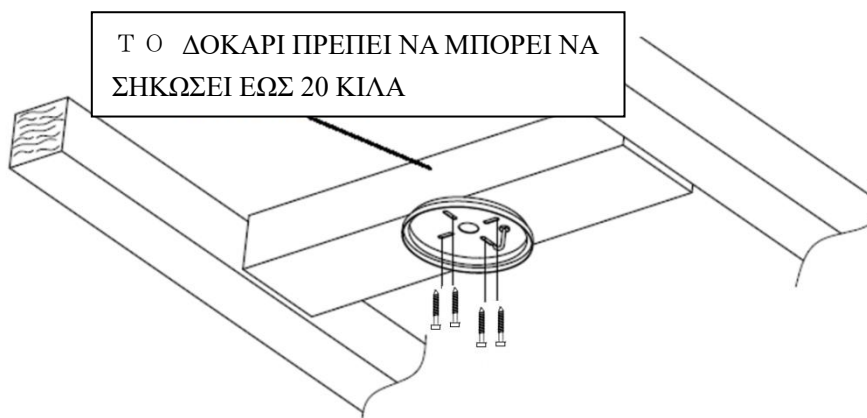
Ανεμιστήρας με τηλεχειριστήριο (με φωτιστικό) αρ. SKU 213001 και 213002



Εικ. 1

### ΤΟΠΟΘΕΤΗΣΗ ΤΟΥ ΣΤΟΙΧΕΙΟΥ ΑΝΑΡΤΗΣΗΣ

- Ο ανεμιστήρας οροφής θα πρέπει να εγκατασταθεί έτσι ώστε να υπάρχει απόσταση 300 mm από την άκρη των πτερυγίων μέχρι το πλησιέστερο αντικείμενο ή τον πλησιέστερο τοίχο.
- Τοποθετήστε το στοιχείο ανάρτησης σε δοκάρι της οροφής ή άλλη κατασκευή που να μπορεί να σηκώσει βάρος τουλάχιστον 20 κιλών, με τις 4 μακριές βίδες που παρέχονται. Βεβαιωθείτε ότι τουλάχιστον 30 mm της βίδας έχουν βιδωθεί στην κατασκευή ανάρτησης. (Εικ. 2)



Εικ. 2

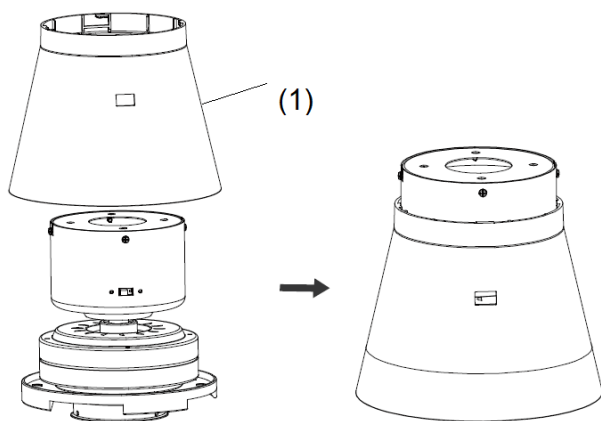
**ΣΗΜΕΙΩΣΗ:** Οι παρεχόμενες βίδες στερέωσης είναι κατάλληλες μόνο για ξύλο. Για κατασκευές από άλλο υλικό, εκτός ξύλου, θα ΠΡΕΠΕΙ να χρησιμοποιηθεί ο κατάλληλος τύπος βίδας. Βεβαιωθείτε ότι οι χρησιμοποιούμενες βίδες είναι κατάλληλες για την επιφάνεια τοποθέτησης και τον περιβάλλοντα χώρο.

### ΤΟΠΟΘΕΤΗΣΗ ΣΕ ΟΡΟΦΗ ΥΠΟ ΚΛΙΣΗ

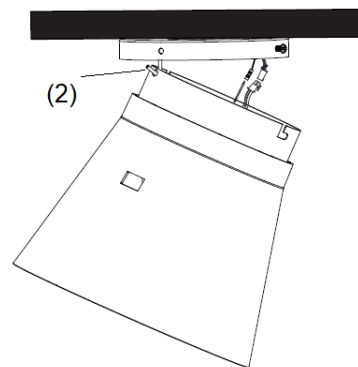
Αυτό το σύστημα ανάρτησης του ανεμιστήρα **ΔΕΝ ΜΠΟΡΕΙ** να υποστηρίξει εγκατάσταση του ανεμιστήρα στην οροφή υπό κλίση.

### ΑΝΑΡΤΗΣΗ ΤΟΥ ΜΟΤΕΡ ΤΟΥ ΑΝΕΜΙΣΤΗΡΑ

- Τοποθετήστε το περίβλημα του μοτέρ (1) στο συγκρότημα του μοτέρ. (Εικ. 3)
- Σηκώστε το συγκρότημα του ανεμιστήρα στο ύψος του στοιχείου ανάρτησης. Κρεμάστε το συγκρότημα του ανεμιστήρα στο άγκιστρο (2) του στοιχείου ανάρτησης. (Εικ. 4)
- Συνδέστε τα καλώδια σύμφωνα με τις οδηγίες στην ενότητα «ΗΛΕΚΤΡΟΛΟΓΙΚΟ ΔΙΑΓΡΑΜΜΑ» παρακάτω.



Εικ. 3



Εικ. 4



## ΗΛΕΚΤΡΟΛΟΓΙΚΟ ΔΙΑΓΡΑΜΜΑ ΤΟΥ ΑΝΕΜΙΣΤΗΡΑ

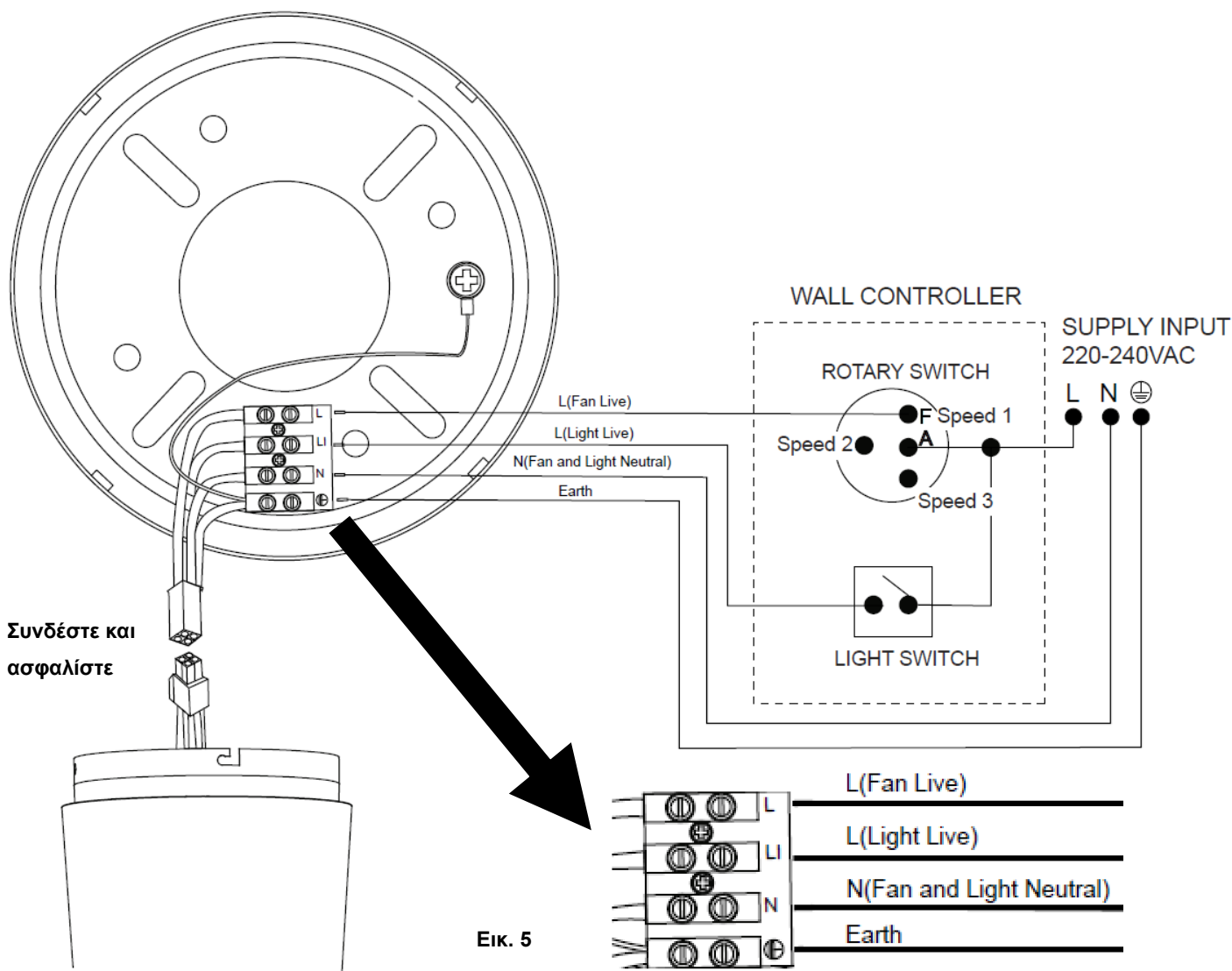
**ΠΡΟΕΙΔΟΠΟΙΗΣΗ:** ΓΙΑ ΤΗΝ ΑΣΦΑΛΕΙΑ ΣΑΣ, ΟΛΕΣ ΟΙ ΗΛΕΚΤΡΙΚΕΣ ΣΥΝΔΕΣΕΙΣ ΠΡΕΠΕΙ ΝΑ ΠΡΑΓΜΑΤΟΠΟΙΗΘΟΥΝ ΑΠΟ ΠΙΣΤΟΠΟΙΗΜΕΝΟ ΗΛΕΚΤΡΟΛΟΓΟ.

**ΣΗΜΕΙΩΣΗ:** Η ΣΤΑΘΕΡΗ ΚΑΛΩΔΙΩΣΗ ΘΑ ΠΡΕΠΕΙ ΝΑ ΠΕΡΙΛΑΜΒΑΝΕΙ ΣΥΜΠΛΗΡΩΜΑΤΙΚΟ ΔΙΑΚΟΠΤΗ ΑΠΟΜΟΝΩΣΗΣ ΟΛΩΝ ΤΩΝ ΑΓΩΓΩΝ ΡΕΥΜΑΤΟΣ (ΦΑΣΕΙΣ ΚΑΙ ΟΥΔΕΤΕΡΟ).

**ΣΗΜΕΙΩΣΗ:** Το ηλεκτρολογικό διάγραμμα περιλαμβάνει το διάγραμμα καλωδίωσης του φωτιστικού. Αν ο ανεμιστήρας δεν έχει φωτιστικό, παραλείπεται το διάγραμμα καλωδίωσης του φωτιστικού και του διακόπτη.

### ΗΛΕΚΤΡΟΛΟΓΙΚΟ ΔΙΑΓΡΑΜΜΑ ΓΙΑ ΤΑ ΜΟΝΤΕΛΑ ΜΕ ΕΠΙΤΟΙΧΙΟ ΠΙΝΑΚΑ ΕΛΕΓΧΟΥ (Εικ. 5):

- Συνδέστε τα καλώδια φάσης (L), ουδέτερου (N) και γείωσης στην κλέμμα ακροδεκτών, όπως φαίνεται στο παρακάτω διάγραμμα στην Εικ. 5. Σημείωση: Αγνοήστε τις καλωδιώσεις για το φωτιστικό, διότι αυτό το μοντέλο δεν διαθέτει φωτιστικό.
- Συνδέστε και ασφαλίστε τον ταχυσύνδεσμο του ανεμιστήρα στον ταχυσύνδεσμο του στοιχείου ανάρτησης.



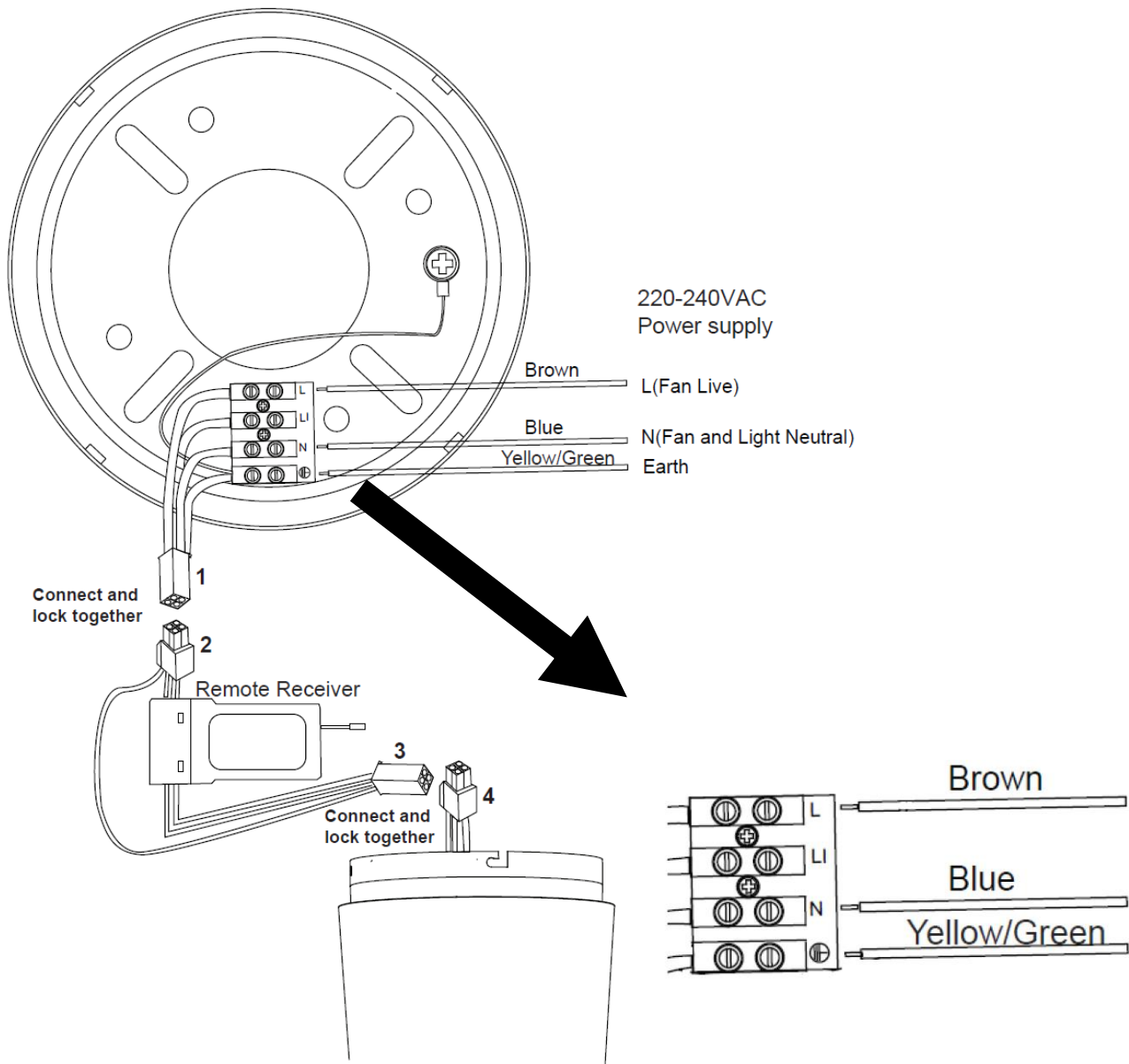
SUPPLY INPUT 220-240VAC	ΕΙΣΟΔΟΣ ΠΑΡΟΧΗΣ 220-240VAC
WALL CONTROLLER	ΕΠΙΤΟΙΧΙΟ ΧΕΙΡΙΣΤΗΡΙΟ
ROTARY SWITCH	ΠΕΡΙΣΤΡΟΦΙΚΟΣ ΔΙΑΚΟΠΤΗΣ
Speed 1	Ταχύτητα 1
Speed 2	Ταχύτητα 2
Speed 3	Ταχύτητα 3
LIGHT SWITCH	ΔΙΑΚΟΠΤΗΣ ΦΩΤΙΣΤΙΚΟΥ
L (Fan Live)	L (Φάση ανεμιστήρα)
L (Light Live)	L (Φάση φωτιστικού)
N (Fan and Light Neutral)	N (Ουδέτερο ανεμιστήρα και φωτιστικού)
Earth	Γείωση

### **ΗΛΕΚΤΡΟΛΟΓΙΚΟ ΔΙΑΓΡΑΜΜΑ ΓΙΑ ΤΑ ΜΟΝΤΕΛΑ ΜΕ ΤΗΛΕΧΕΙΡΙΣΤΗΡΙΟ (Εικ. 6):**

- Συνδέστε τα καλώδια φάσης (L), ουδέτερου (N) και γείωσης στην κλέμμα ακροδεκτών του στοιχείου ανάρτησης, όπως φαίνεται στο παρακάτω διάγραμμα στην Εικ. 6.
- Συνδέστε και ασφαλίστε τον ταχυσύνδεσμο του στοιχείου ανάρτησης (1) στον ταχυσύνδεσμο του δέκτη τηλεχειρισμού (2).
- Συνδέστε και ασφαλίστε τον ταχυσύνδεσμο του δέκτη τηλεχειρισμού (3) στον ταχυσύνδεσμο του ανεμιστήρα (4).
- Τοποθετήστε τον δέκτη τηλεχειρισμού μέσα στην υποδοχή της πλαφονιέρας του συγκροτήματος του μοτέρ με την άλλη εσωτερική καλωδίωση.



ΓΙΑ ΑΡ. SKU 213001 και 213002



Εικ. 6

Brown	Καφέ
Blue	Μπλε
Yellow/Green	Κίτρινο/Πράσινο
220-240VAC Power supply	Παροχή ρεύματος 220-240VAC
Remote Receiver	Δέκτης τηλεχειρισμού

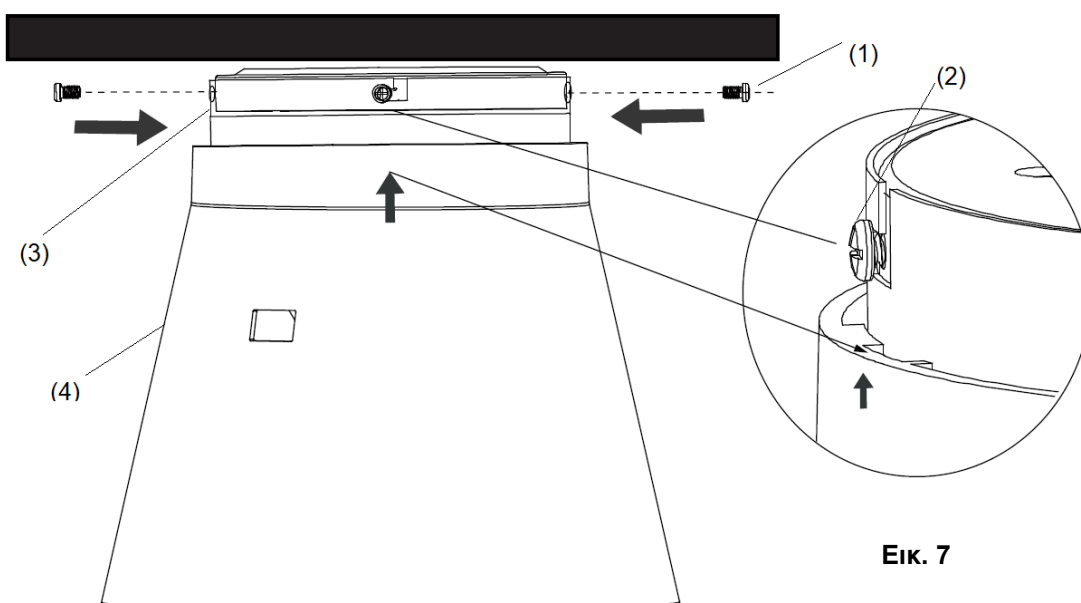


**ΤΟΠΟΘΕΤΗΣΗ ΤΟΥ ΣΥΓΚΡΟΤΗΜΑΤΟΣ ΤΟΥ ΑΝΕΜΙΣΤΗΡΑ ΣΤΟ ΣΤΟΙΧΕΙΟ ΑΝΑΡΤΗΣΗΣ**

- Αφού ολοκληρώσετε τις ηλεκτρολογικές συνδέσεις στις κλέμμες του στοιχείου ανάρτησης:
  - **Ανεμιστήρας χωρίς** δέκτη τηλεχειρισμού και φωτιστικό: συνδέστε την καλωδίωση του ανεμιστήρα οροφής μέσω του ταχυσυνδέσμου,
  - **Ανεμιστήρας με** δέκτη τηλεχειρισμού και φωτιστικό: συνδέστε τον δέκτη τηλεχειρισμού και τον ανεμιστήρα οροφής μέσω του ταχυσυνδέσμου,
- Επαληθεύστε ότι τα καλώδια γείωσης έχουν συνδεθεί σωστά και με ασφάλεια, διεξάγοντας δοκιμή συνέχειας γείωσης από το προσβάσιμο μεταλλικό σώμα του ανεμιστήρα προς την κλέμμα γείωσης στην κλέμμα ακροδεκτών του στοιχείου ανάρτησης.

Κρεμάστε το συγκρότημα του ανεμιστήρα στο στοιχείο ανάρτησης (Εικ. 7).

- Το στοιχείο ανάρτησης περιλαμβάνει 4 προεγκατεστημένες βίδες:
  - Χαλαρώστε τις δύο βίδες της πλαφονιέρας με την οδοντωτή ροδέλα (2) κατά μισή στροφή από το στοιχείο ανάρτησης (5). (Για στερέωση στην εγκοπή σχήματος L της πλαφονιέρας).
  - Χαλαρώστε δύο βίδες της πλαφονιέρας (1) και αφαιρέστε τες από το στοιχείο ανάρτησης.
- Σηκώστε την πλαφονιέρα ανάρτησης (2) του συγκροτήματος του ανεμιστήρα κοντά στο στοιχείο ανάρτησης και περάστε τις δύο βίδες της πλαφονιέρας με την οδοντωτή ροδέλα (2) μέσα από την εγκοπή σχήματος L της πλαφονιέρας ανάρτησης.
- Περιστρέψτε την πλαφονιέρα ανάρτησης μέχρι να ασφαλίσει στην άκρη της εγκοπής σχήματος L. Βεβαιωθείτε ότι η οδοντωτή ροδέλα βρίσκεται ανάμεσα στην πλαφονιέρα ανάρτησης (3) και την κεφαλή της βίδας. Ασφαλίστε, σφίγγοντας τις δύο βίδες της πλαφονιέρας με την οδοντωτή ροδέλα (2).
- Ασφαλίστε και σφίξτε τις βίδες της πλαφονιέρας (1) στο στοιχείο ανάρτησης. Η πλαφονιέρα ανάρτησης (3) πρέπει να έχει 4 βίδες (1) και (2) συνολικά. Προσέξτε να μην προκαλέσετε ζημιά στα ηλεκτρικά καλώδια που συνδέσατε προηγουμένως όταν κρεμάσατε την πλαφονιέρα.
- Τέλος, τοποθετήστε το κάλυμμα της πλαφονιέρας (4) στο στοιχείο ανάρτησης και ασφαλίστε το, πιέζοντας τα άγκιστρα που υπάρχουν στο κάλυμμα της πλαφονιέρας μέσα στις εγκοπές της πλαφονιέρας ανάρτησης και περιστρέφοντας το αριστερόστροφα.

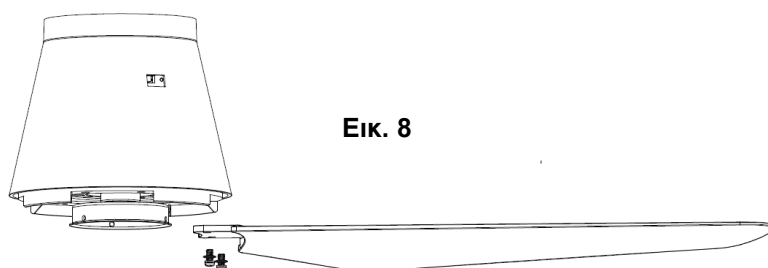


Εικ. 7

## ΤΟΠΟΘΕΤΗΣΗ ΤΩΝ ΠΤΕΡΥΓΙΩΝ ΤΟΥ ΑΝΕΜΙΣΤΗΡΑ ΚΑΙ ΤΟΥ ΦΩΤΙΣΤΙΚΟΥ

### ΤΟΠΟΘΕΤΗΣΗ ΠΤΕΡΥΓΙΩΝ (ΕΙΚ.8)

1. Πριν τοποθετήσετε τα πτερύγια, αφαιρέστε τις βίδες των πτερυγίων και τις επίπεδες ροδέλες από το κάτω μέρος του μοτέρ του ανεμιστήρα.
2. Ευθυγραμμίστε τις 2 οπές στο πτερύγιο με τις 2 οπές στο περιστρεφόμενο στοιχείο του μοτέρ του ανεμιστήρα και ασφαλίστε το πτερύγιο στο μοτέρ του ανεμιστήρα με τις 2 βίδες του βήματος 1. Βεβαιωθείτε ότι έχετε σφίξει όλες τις βίδες ομοιόμορφα, ώστε να μην παραμορφωθούν τα πτερύγια και να μην γέρνει ο ανεμιστήρας. Προσέξτε να μη σφίξετε υπερβολικά τις βίδες, γιατί μπορεί να υποστούν ζημιά τα πτερύγια.
3. Αφού τελειώσετε, επαναλάβετε τη διαδικασία για τα υπόλοιπα πτερύγια.

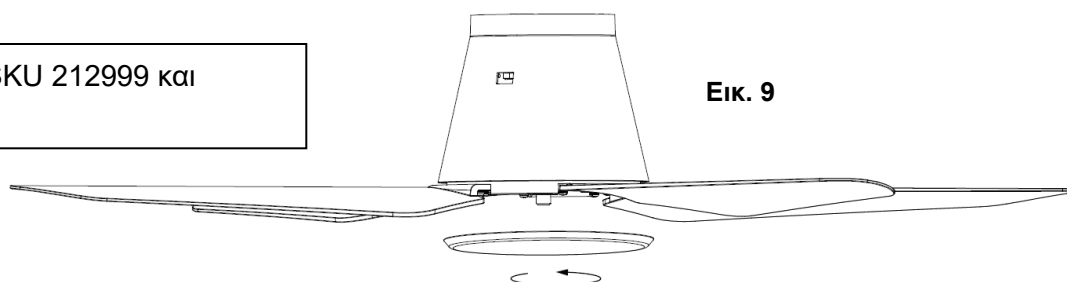


Εικ. 8

### ΤΟΠΟΘΕΤΗΣΗ ΤΟΥ ΚΑΤΩ ΚΑΛΥΜΜΑΤΟΣ (ΓΙΑ ΤΟΝ ΑΝΕΜΙΣΤΗΡΑ ΧΩΡΙΣ ΦΩΤΙΣΤΙΚΟ ΕΙΚ.9)

Στερεώστε το κάτω κάλυμμα του μοτέρ, περιστρέφοντάς το δεξιόστροφα.

ΓΙΑ αρ. SKU 212999 και  
213000

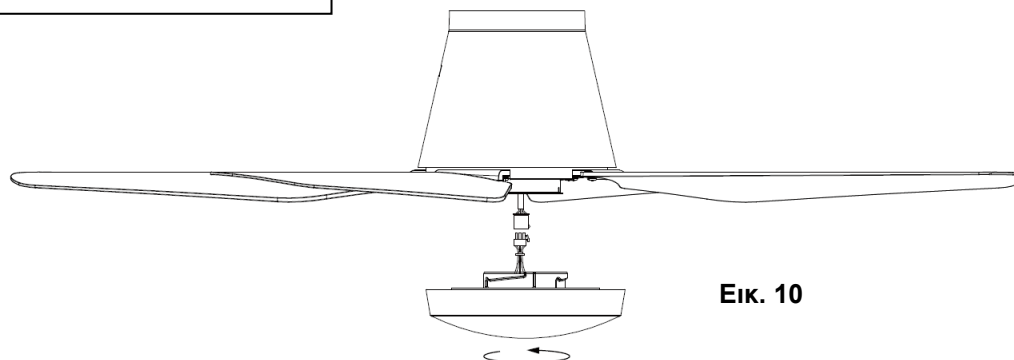


Εικ. 9

### ΤΟΠΟΘΕΤΗΣΗ ΤΟΥ ΦΩΤΙΣΤΙΚΟΥ LED (ΓΙΑ ΤΟΝ ΑΝΕΜΙΣΤΗΡΑ ΜΕ ΦΩΤΙΣΤΙΚΟ ΕΙΚ.10)

- Συνδέστε το σετ του φωτιστικού LED στη βάση του φωτιστικού και συνδέστε τα καλώδια του φωτιστικού LED με τους ταχυσυνδέσμους.
- Ασφαλίστε το φωτιστικό LED στη βάση του φωτιστικού, περιστρέφοντας το σώμα του φωτιστικού LED δεξιόστροφα. Προσέξτε να μη συστραφούν και να μην υποστούν ζημιά τα καλώδια.

ΓΙΑ ΑΡ. SKU 213001 και 213002



Εικ. 10

## ΧΡΗΣΗ ΤΟΥ ΑΝΕΜΙΣΤΗΡΑ ΟΡΟΦΗΣ – ΕΠΙΤΟΙΧΙΟΥ ΠΙΝΑΚΑ ΕΛΕΓΧΟΥ (αρ. SKU 212999 και 213000)

### ΕΠΙΤΟΙΧΙΟΣ ΠΙΝΑΚΑΣ ΕΛΕΓΧΟΥ ΑΝΕΜΙΣΤΗΡΑ (Εικ.11)

Ενεργοποιήστε τον ανεμιστήρα και ελέγξτε τη λειτουργία του.

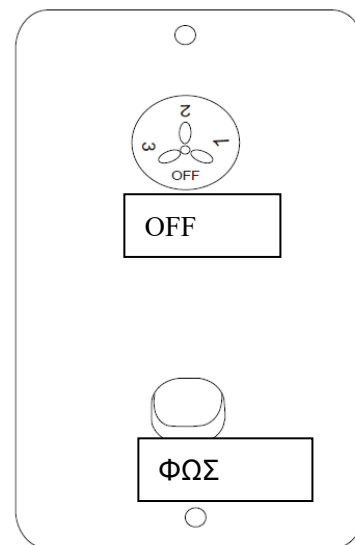
- Θέση OFF – ανεμιστήρας σβηστός
- 3η θέση – χαμηλή ταχύτητα ανεμιστήρα
- 2η θέση – μεσαία ταχύτητα ανεμιστήρα
- 1η θέση – υψηλή ταχύτητα ανεμιστήρα

OFF:

### ΔΙΑΚΟΠΤΗΣ ΦΩΤΙΣΤΙΚΟΥ (προαιρετικός)

- Διακόπτης δύο θέσεων – Ενεργοποίηση/απενεργοποίηση

Εικ. 11



## ΧΡΗΣΗ ΤΟΥ ΑΝΕΜΙΣΤΗΡΑ ΟΡΟΦΗΣ – ΤΗΛΕΧΕΙΡΙΣΤΗΡΙΟ (αρ. SKU 213001 και 213002)

Αυτός ο ανεμιστήρας οροφής ελέγχεται από το τηλεχειριστήριο. Υπάρχουν 4 κουμπιά (HI, MED, LOW, OFF) που ελέγχουν την ταχύτητα του ανεμιστήρα και ένα κουμπί που ανάβει και σβήνει το φωτιστικό. **Εικ. 14**

Πριν χρησιμοποιήσετε το τηλεχειριστήριο, έχετε υπ' όψιν τα ακόλουθα:

- Για να λειτουργήσει το τηλεχειριστήριο, απαιτούνται 2 μπαταρίες AAA 1,5V. Αφαιρέστε το κάλυμμα από την πίσω πλευρά του τηλεχειριστηρίου και τοποθετήστε 2 μπαταρίες AAA. Βεβαιωθείτε ότι οι πόλοι των μπαταριών έχουν τον σωστό προσανατολισμό, όπως φαίνεται στη θήκη των μπαταριών. **(Εικ.12)** (Οι μπαταρίες δεν περιλαμβάνονται.)
- Το τηλεχειριστήριο (πομπός) και ο δέκτης πρέπει να ρυθμιστούν, ώστε να υπάρχει ζεύξη επικοινωνίας μεταξύ τους. Για να γίνει αυτό, οι συστοιχίες μικροδιακοπών DIP στον δέκτη και στο τηλεχειριστήριο θα πρέπει να έχουν την ίδια ρύθμιση. **(Εικ. 13)**

Σημείωση: Η συστοιχία μικροδιακοπών DIP περιλαμβάνει 4 διακόπτες που μπορούν να ρυθμιστούν με 16 διαφορετικούς συνδυασμούς κωδικών μετάδοσης. Αυτό είναι χρήσιμο όταν υπάρχουν περισσότερα από 1 ζεύγη τηλεχειριστηρίου/δέκτη που λειτουργούν τοπικά ή στο ίδιο δωμάτιο.

**Σημείωση: Για να βρείτε τους διακόπτες DIP του δέκτη, αφαιρέστε το κάλυμμα των διακοπών DIP.**



Example DIP Switch Settings	Ενδεικτικές ρυθμίσεις διακοπών DIP
Receiver 1	Δέκτης 1
DIP Switches Set to 0111	Διακόπτες DIP Ρύθμιση 0111
Receiver 2	Δέκτης 2
DIP Switches Set to 0100	Διακόπτες DIP Ρύθμιση 0100
Transmitter 1	Τηλεχειριστήριο 1
DIP Switches Set to 0111	Διακόπτες DIP Ρύθμιση 0111
Transmitter 2	Τηλεχειριστήριο 2
DIP Switches Set to 0100	Διακόπτες DIP Ρύθμιση 0100

Εικ. 12 Υποδοχή μπαταριών τηλεχειριστηρίου

Εικ. 13 Διακόπτης DIP δέκτη

**ΛΕΙΤΟΥΡΓΙΑ ΤΟΥ ΤΗΛΕΧΕΙΡΙΣΤΗΡΙΟΥ:**

Πριν χρησιμοποιήσετε το τηλεχειριστήριο, διαβάστε αυτή την ενότητα και εξοικειωθείτε με τα κουμπιά και με τις λειτουργίες κάθε κουμπιού.

**Λυχνία LED**

Η κόκκινη λυχνία LED στο πάνω μέρος του τηλεχειριστηρίου (πομπός) θα αναβοσβήνει όταν είναι ενεργά τα κουμπιά.

**ΚΟΥΜΠΙΑ ΣΤΟ ΤΗΛΕΧΕΙΡΙΣΤΗΡΙΟ**

**HI:** Πατήστε αυτό το κουμπί για λειτουργία του ανεμιστήρα στην υψηλή ταχύτητα.

**MED:** Πατήστε αυτό το κουμπί για λειτουργία του ανεμιστήρα στη μεσαία ταχύτητα.

**LOW:** Πατήστε αυτό το κουμπί για λειτουργία του ανεμιστήρα στη χαμηλή ταχύτητα.

**OFF:** Πατήστε αυτό το κουμπί για να σταματήσετε τον ανεμιστήρα.



Εικ. 14

LED indicator	Λυχνία LED
Turn on the fan at high speed	Ανάβει τον ανεμιστήρα στην υψηλή ταχύτητα
Turn on the fan at medium speed	Ανάβει τον ανεμιστήρα στη μεσαία ταχύτητα
Turn on the fan at low speed	Ανάβει τον ανεμιστήρα στη χαμηλή ταχύτητα
Turn off the fan	Σβήνει τον ανεμιστήρα
Turn on / off the light	Ανάβει / σβήνει το φως



## ΔΙΑΚΟΠΤΗΣ ΦΩΤΙΣΤΙΚΟΥ



: Πατήστε αυτό το κουμπί για να ανάψετε ή να σβήσετε το φως.

Το τηλεχειριστήριο διαθέτει λειτουργία μνήμης. Αν σβήσετε τον ανεμιστήρα ή το φως από τον διακόπτη απομόνωσης, το σύστημα θα απομνημονεύσει την τελευταία κατάσταση λειτουργίας της συσκευής και θα την επαναφέρει όταν θα ανάψετε ξανά τον ανεμιστήρα.

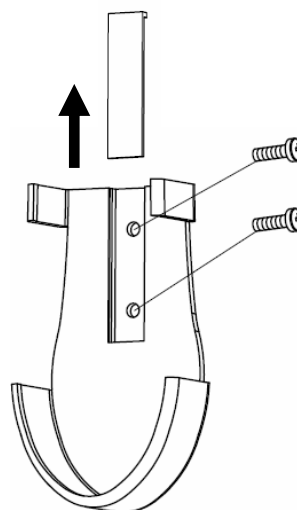
Το φωτιστικό LED περιλαμβάνει λειτουργία ροοστάτη 3 διαβαθμίσεων, που ελέγχεται από διακόπτη ON/OFF. Μετακινήστε τον διακόπτη ON/OFF του φωτιστικού 4 φορές μέσα σε 5 δευτερόλεπτα και ο φωτισμός θα μεταβληθεί με την ακόλουθη σειρά:

100% φωτεινότητα → 60% φωτεινότητα → 10% φωτεινότητα → 100% φωτεινότητα

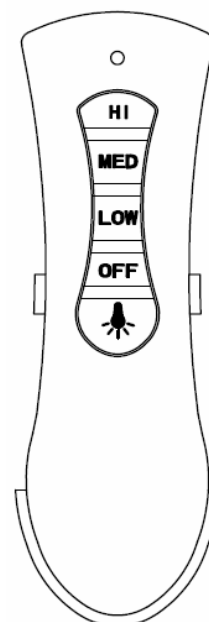
Για να επιστρέψετε σε 100% φωτεινότητα οποιαδήποτε στιγμή, σβήστε το φωτιστικό και μετά από 5 δευτερόλεπτα ανάψτε το φωτιστικό. Θα επανέλθει σε 100% φωτεινότητα.

## ΤΟΠΟΘΕΤΗΣΗ ΤΟΥ ΣΤΗΡΙΓΜΑΤΟΣ ΤΟΥ ΤΗΛΕΧΕΙΡΙΣΤΗΡΙΟΥ (Εικ. 15)

1. Βρείτε έναν κατάλληλο τοίχο ή άλλη κατάλληλη επιφάνεια για να στερεώσετε το επιτοίχιο στήριγμα του τηλεχειριστηρίου.
2. Αφαιρέστε το βιδωτό κάλυμμα και τοποθετήστε το στήριγμα με τις 2 βίδες. Ξανατοποθετήστε το βιδωτό κάλυμμα. (Εικ. 15α).
3. Τοποθετήστε το τηλεχειριστήριο μέσα στο στήριγμα. (Εικ. 15β).



Εικ. 15α



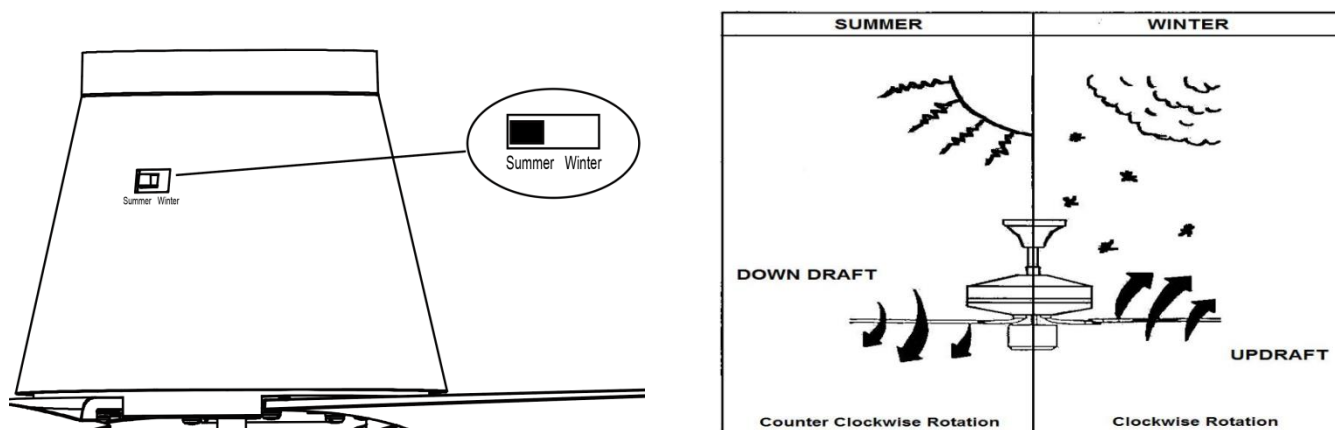
Εικ. 15β

## ΔΙΑΚΟΠΤΗΣ ΑΝΑΣΤΡΟΦΗΣ (Εικ. 16)

Αυτός ο ανεμιστήρας οροφής περιλαμβάνει χειμερινή και θερινή λειτουργία.

**ΘΕΡΙΝΗ λειτουργία (SUMMER):** Όταν ο διακόπτης αναστροφής βρίσκεται στη θέση ΘΕΡΙΝΗΣ λειτουργίας, ο ανεμιστήρας θα λειτουργεί αριστερόστροφα. Η ροή του αέρα θα κατευθύνεται προς τα κάτω για ψύξη το καλοκαίρι.

**ΧΕΙΜΕΡΙΝΗ λειτουργία (WINTER):** Όταν ο διακόπτης αναστροφής βρίσκεται στη θέση ΧΕΙΜΕΡΙΝΗΣ λειτουργίας, ο ανεμιστήρας θα λειτουργεί δεξιόστροφα. Η ροή του αέρα θα κατευθύνεται προς τα πάνω, υποβοηθώντας την κυκλοφορία του θερμού αέρα, για εξοικονόμηση ενέργειας το χειμώνα.



Εικ. 16

<b>SUMMER</b>	<b>SUMMER</b>
<b>WINTER</b>	<b>WINTER</b>
<b>DOWN DRAFT</b>	<b>ΚΑΘΟΔΙΚΟ ΡΕΥΜΑ</b>
<b>UPDRAFT</b>	<b>ΑΝΟΔΙΚΟ ΡΕΥΜΑ</b>
<b>Counter Clockwise Rotation</b>	<b>Αριστερόστροφη περιστροφή</b>
<b>Clockwise Rotation</b>	<b>Δεξιόστροφη περιστροφή</b>

## ΜΕΤΑ ΤΗΝ ΤΟΠΟΘΕΤΗΣΗ

### ΚΛΥΔΩΝΙΣΜΟΣ:

**ΣΗΜΕΙΩΣΗ:** οι ανεμιστήρες οροφής ταλαντεύονται κατά τη λειτουργία επειδή είναι στερεωμένοι πάνω σε ελαστικές ροδέλες. Αν ο ανεμιστήρας ήταν στερεωμένος σε άκαμπτα στοιχεία στην οροφή, θα προκαλούνταν υπερβολικοί κραδασμοί. Η ταλάντευση κατά λίγα εκατοστά είναι αποδεκτή και ΔΕΝ συνιστά πρόβλημα.

**ΓΙΑ ΝΑ ΠΕΡΙΟΡΙΣΕΤΕ ΤΗΝ ΤΑΛΑΝΤΕΥΣΗ ΤΟΥ ΑΝΕΜΙΣΤΗΡΑ:** Βεβαιωθείτε ότι όλες οι βίδες που συγκρατούν το στοιχείο ανάρτησης και την κάθετη ράβδο είναι σφιγμένες καλά.

### ΘΟΡΥΒΟΣ:

Όταν επικρατεί ησυχία (ιδιαίτερα τη νύχτα), μπορεί να ακούτε σποραδικά μικρούς θορύβους. Μικρές διακυμάνσεις στην ένταση του ρεύματος και παρεμβολές σημάτων συχνότητας στο ηλεκτρικό κύκλωμα μπορεί να προκαλέσουν διάφορους θορύβους από το μοτέρ του ανεμιστήρα. Αυτό είναι φυσιολογικό. Περιμένετε ένα 24ωρο για να εξομαλυνθεί η λειτουργία του ανεμιστήρα. Οι περισσότεροι θόρυβοι που ακούγονται όταν λειτουργεί πρώτη φορά ο ανεμιστήρας σταματούν στη συνέχεια.

Η εγγύηση του κατασκευαστή καλύπτει πραγματικά σφάλματα που μπορεί να παρουσιαστούν και ΟΧΙ παράπονα ή σσηνος σημασίας όπως ο ήχος λειτουργίας του μοτέρ – όλοι οι ηλεκτρικοί κινητήρες εκπέμπουν κάποιο θόρυβο.



### ΦΡΟΝΤΙΔΑ ΚΑΙ ΚΑΘΑΡΙΣΜΟΣ

**ΣΗΜΕΙΩΣΗ: Κλείνετε πάντα τον κεντρικό ηλεκτρικό διακόπτη πριν πραγματοποιήσετε εργασίες συντήρησης και πριν καθαρίσετε τον ανεμιστήρα.**

- Η μόνη συντήρηση που απαιτεί ο ανεμιστήρας οροφής είναι ο περιοδικός καθαρισμός κάθε 6 μήνες. Χρησιμοποιήστε μια μαλακή βούρτσα ή ένα πανί που δεν αφήνει χνούδι για να μη χαράξετε τη βαφή. Κλείνετε τον διακόπτη ηλεκτρικής τροφοδοσίας κατά τον καθαρισμό.
- Μη μουσκεύετε και μη βυθίζετε τον ανεμιστήρα οροφής σε νερό ή άλλα υγρά. Μπορεί να υποστεί ζημιά το μοτέρ ή τα πτερύγια και αυξάνεται ο κίνδυνος ηλεκτροπληξίας.
- Προσέξτε να μην έρθει σε επαφή με οργανικούς διαλύτες ή καθαριστικά το στοιχείο ανάρτησης.
- Για να καθαρίσετε τα πτερύγια του ανεμιστήρα, σκουπίστε τα μόνο με ένα υγρό καθαρό πανί, χωρίς οργανικούς διαλύτες ή καθαριστικά.
- Το μοτέρ περιλαμβάνει ένσφαιρο έδρανο μόνιμης λίπανσης, οπότε δεν απαιτεί λίπανση.

### ΠΡΟΦΥΛΑΞΕΙΣ ΑΣΦΑΛΕΙΑΣ ΓΙΑ ΤΗΝ ΜΠΑΤΑΡΙΑ

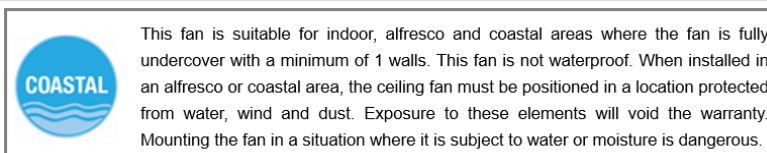
- **ΠΡΟΕΙΔΟΠΟΙΗΣΗ** – Φυλάσσετε τις νέες και τις χρησιμοποιημένες μπαταρίες μακριά από παιδιά.
- **ΠΡΟΣΟΧΗ** – Μην καταπίνετε τις μπαταρίες—Κίνδυνος χημικού εγκαύματος.
- Χρησιμοποιείτε πάντα 2 μπαταρίες AAA με το τηλεχειριστήριο αυτού του ανεμιστήρα οροφής.
- Τοποθετήστε τις μπαταρίες με τη σωστή πολικότητα.
- Για να μην τεθεί κατά λάθος σε λειτουργία ο ανεμιστήρας κατά την εισαγωγή ή την αντικατάσταση των μπαταριών, πρέπει να αποσυνδέσετε τον ανεμιστήρα οροφής από την παροχή ρεύματος.
- Αφαιρείτε τις μπαταρίες από το προϊόν αν δεν πρόκειται να χρησιμοποιηθεί για μεγάλο διάστημα.
- Οι μπαταρίες πρέπει να αφαιρούνται από το τηλεχειριστήριο πριν το απορρίψετε.
- Απορρίψτε τις χρησιμοποιημένες μπαταρίες αμέσως και με ασφάλεια (έτσι ώστε να μην μπορούν να τις βρουν παιδιά). Οι μπαταρίες παραμένουν επικίνδυνες. Επικοινωνήστε με την τοπική αρχή σχετικά με την ασφαλή απόρριψη της μπαταρίας.
- Ελέγχετε τακτικά το προϊόν για να βεβαιωθείτε ότι το καπάκι των μπαταριών είναι ασφαλισμένο. Αν δεν κλείνει καλά το καπάκι των μπαταριών, σταματήστε να χρησιμοποιείτε το προϊόν και φυλάξτε το μακριά από τα παιδιά.

### ΤΕΧΝΙΚΕΣ ΠΛΗΡΟΦΟΡΙΕΣ

Ανεμιστήρας	Ανεμιστήρας 48" – Aria CTC
Μοντέλα ανεμιστήρα / Αρ. SKU (Επιτοίχιος πίνακας ελέγχου, χωρίς φωτιστικό)	ARIA CTC / αρ. SKU 212999, 213000
Μοντέλα ανεμιστήρα / Αρ. SKU (Τηλεχειριστήριο, με φωτιστικό)	ARIA CTC L / αρ. SKU 213001, 213002
Ονομαστική τάση	220-240V~ 50Hz
Ονομαστική ισχύς (μοτέρ)	50W
Ονομαστική ισχύς (φωτιστικό)	18W, 1100 LM, 3000K, ροοστάτης (3 διαβαθμίσεις)
Βάρος	5,0 κιλά
Διαστάσεις πλαφονιέρας	Υ:95mm Διάμ.:130mm

### ΠΛΗΡΟΦΟΡΙΕΣ ΓΙΑ ΤΗΝ ΕΓΓΥΗΣΗ

**ΓΙΑ ΑΥΣΤΡΑΛΙΑ / ΝΕΑ ΖΗΛΑΝΔΙΑ** – Ανατρέξτε στην ξεχωριστή ΔΗΛΩΣΗ ΕΓΓΥΗΣΗΣ.



**ΓΙΑ ΕΥΡΩΠΗ** – Αν είστε πελάτης από την Ευρώπη, απευθυνθείτε στο κατάστημα λιανικής απ' όπου αγοράσατε τον ανεμιστήρα, για σέρβις στο πλαίσιο της εγγύησης.



This fan is suitable for indoor, alfresco and coastal areas where the fan is fully undercover with a minimum of 1 walls. This fan is not waterproof. When installed in an alfresco or coastal area, the ceiling fan must be positioned in a location protected from water, wind and dust. Exposure to these elements will void the warranty. Mounting the fan in a situation where it is subject to water or moisture is dangerous.