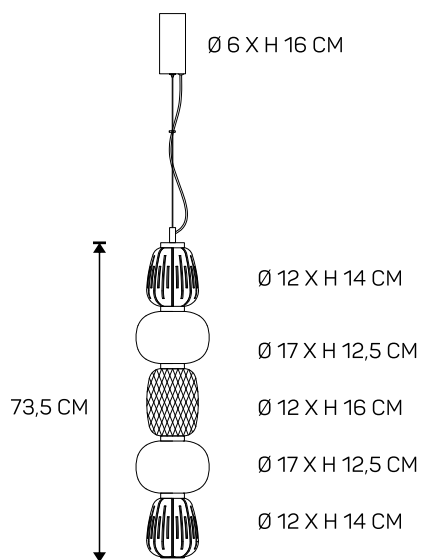


PEARL 5

LOOM[®]
DESIGN



LIKE BEADS ON A STRING, THE LAMP PRESENTS ITSELF DECORATIVE, EXCLUSIVE AND CLASSIC AT THE SAME TIME. PEARL IS WITH BUILT-IN LED, SUSPENSION IN CHROME OR MATTE GOLD, THE GLASSES ARE HAND-BLOWN.

ELEGANT VERTICAL GLASS PENDANT:
H 78 X Ø 17 CM
CABEL 250 CM
LED 36W
2700 K
4703 LUMEN
CANOPY H 16 X Ø 6 CM
INGRESS PROTECTION: IP20
TRIAC DIMMABLE
POWER SUPPLY INCLUDED

COMBINATIONS:
GREY, OPAL, CHROME NO. 837-001
AMBER, OPAL, GOLD NO. 837-002