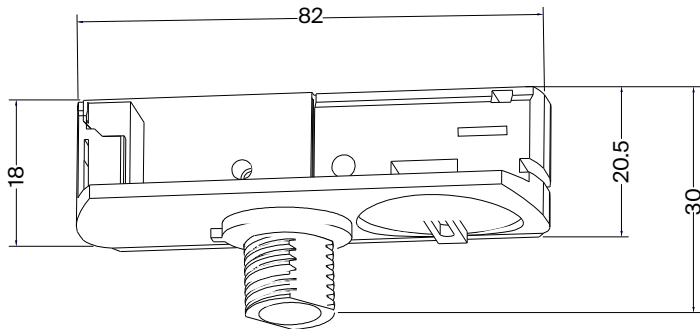




# TECHNICAL SPECIFICATIONS AND THE PURPOSE OF THE DEVICE

Connectors TRA011-1-A-W/TRA011-1-A-B are designed to convert pendant ceiling lamps into pendant track lighting for Unity single-phase system.



Model	TRA011-1-A-W / TRA011-1-A-B
size, mm	82x32x30
Ingress Protection Code	IP20
Climatic version	Boreal climate (4)
Operating temperature	0°C - +50°C
Material	Plastic
Color	black /white
Rated voltage	AC220-240B/50Hz
Peak current	10A
Electrical shock protection class	I
System	Unity



TRA011-1-A-W



TRA011-1-A-B

# SAFE OPERATION REGULATIONS



All installation and mounting works must be carried out by persons with appropriate permits and qualifications. Contact a qualified electrician if necessary.

All installation and dismantling works must be carried out with a de-energized network only.

It is forbidden to operate the track without a protective ground conductor.

When building-up a track system, do not exceed the total current load of consumers of 10A.

Do not install the track at a height below 2.5 meters, or in places where accidental human contact with the track may occur.

It is forbidden to operate the device with a damaged housing and with damaged insulation of the power cable.

It is forbidden to operate the device with a damaged housing and with damaged insulation of the power cable.

The device is intended for indoor use only.

Do not use the device in rooms with high humidity and high levels of dust or aerosol particles in the air.

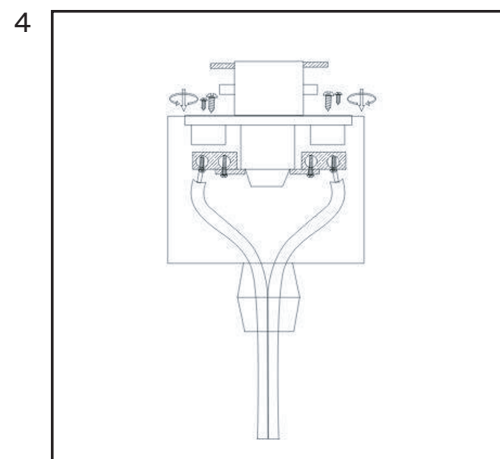
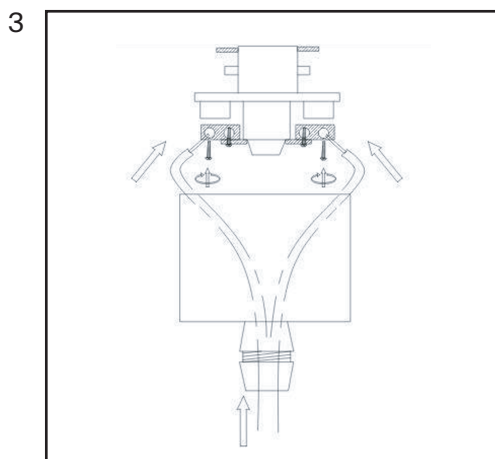
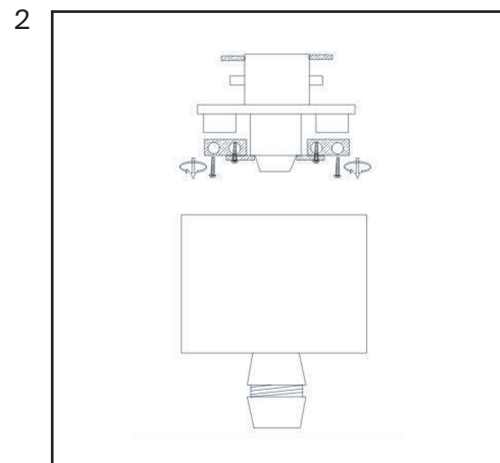
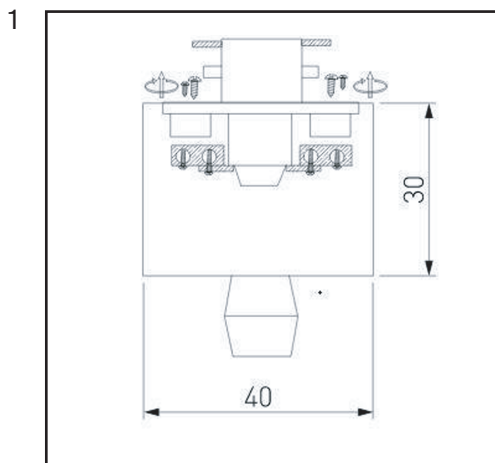
It is recommended to install lamps in increments of no more than 25cm per 1m of track.

Clean the device with a dry soft cloth with the mains power off. Do not use chemically aggressive cleaners.

# CONNECTION DIAGRAM OF CONNECTORS TRA011-1-A-W/ TRA011-1-A-B FOR MOUNTING PENDANT TRACK LIGHTING INTO A SINGLE-PHASE UNITY SYSTEM

These connectors are designed to convert pendant ceiling lamps into pendant track lighting for the Unity system. Prior to this you have to:

1. Dismantle the ceiling bowl of the lamp and cut the wire of the pendant ceiling lamp to the required dimensions (it is not necessary to do this, provided that you are satisfied with the standard length of the wire). Disassemble the connector;
2. Loosen the clamping screws of the current-carrying contacts of the connector;
3. Insert the wire into the connector and connect the wires to the current-carrying contacts of the connector. Clamp the wire in the connector using a special fixture on the connector;
4. Assemble the connector in reverse order and insert it into the Unity track.



# TROUBLESHOOTING

Fault description	Cause	Troubleshooting
The lamp does not work	Loose connection of current-carrying parts	Install the lamp on the track until the adapter is in full contact with the current-carrying cores
		Check the input cable connection terminals, the connection of the power input terminals to the track, and other connections.
	Lamp failure	Contact the seller for a replacement under warranty
The lighting fixture flashes or glows dimly in switched-off state	To control the lighting circuit, a switch with key backlighting is installed, or a motion (light) detector is used	Replace the switch with a model without key backlighting, or which has an additional resistor in its design. Use motion (light) detector only with relay output
Unstable glow, flickering, extraneous sound	Brightness control (dimmer switch) is installed in the power supply circuit	Remove the dimmer from the circuit, replace it with a switch
	Faulty power supply	Contact the seller for a replacement under warranty

## STORAGE

The goods are stored in packaging indoors in the absence of an aggressive environment. Storage temperature in the range from -20°C to +70°C and relative air humidity not more than 95%. Direct exposure to moisture is not allowed.

## TRANSPORTATION

The packaged product is suitable for transportation by sea, rail, road and air.

## DISPOSAL

The product in its design does not contain toxic and chemically hazardous compounds, therefore it is subject to the rules for the disposal of municipal solid waste.

# WARRANTY

The warranty for the product is 24 months from the date of sale, the date is established on the basis of documents establishing the fact of sale.

Warranty service is provided if the malfunction occurred due to the defect in workmanship, and also subject to all the rules of operation, transportation and storage given in this manual.

The warranty is not valid in the following cases: if the product has been used for purposes that do not correspond to its intended use; the defect arose after the transfer of the goods to the consumer and is caused by incorrect or careless handling, non-compliance with the requirements given in this manual. And also in cases of force majeure, including: fire, flood, high-voltage discharges and other natural disasters, accidents and deliberate actions of third parties that caused the product to malfunction.

**MANUFACTURER**

Maytoni GmbH, Feldstiege 98, Münster, Germany, 48161

**IMPORTER**

Maytoni GmbH, Feldstiege 98, Münster, Germany, 48161

[www.maytoni.de](http://www.maytoni.de)

Developed in Germany.

Made in China.

Shelf life is not limited.

