

LITA

Design David Dolcini

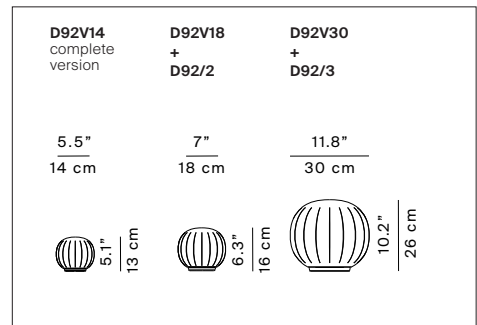
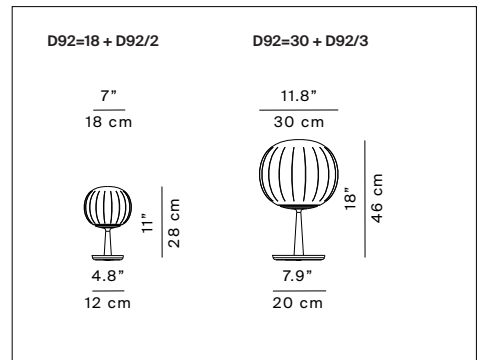


Type:	Table	
Lamps:	LED G9 dimmable LED E27 dimmable	EEL: A++ / A+ / A EEL: A++ / A+ / A
Product use:	Indoor	
Materials:	Solid ash wood or painted aluminium, blown glass diffuser	
Colors:	Structure: painted matt white or ash wood Diffuser: satin opal	

Description: The diffuser in opaline blown glass – whose surface is scanned by the repetition of slight vertical cusps that vanish at the extremities – is combined with a wooden or aluminium structure, making Lita a product with a forceful material character. A timeless and evocative object that combines the crafts tradition with technical research, seductive in its way of matching visual and tactile sensations.

Insulation class:

Reference code:	Structure		
	D92V14	1D920V140000	opal (complete version)
	D92=18	1D920=180002	painted matt white
	D92=18	1D92Z=180099	ash wood (*)
	D92V18	1D920V180000	painted matt white
	D92=30	1D920=300002	painted matt white
	D92=30	1D92Z=300099	ash wood (*)
	D92V30	1D920V300000	painted matt white
	Diffuser		
	D92/2	1D920/200002	opal (Ø 18 cm)
	D92/3	1D920/300002	opal (Ø 30 cm)



Certification (*):

