



Paulmann

Safety Instructions

1,2,3,4,5,6,7,10,12,13,16,19,
20,22,24,28,33,34



31.08.2021



A++ - A

01.09.2021



G



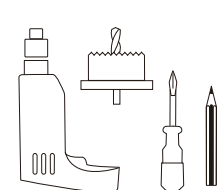
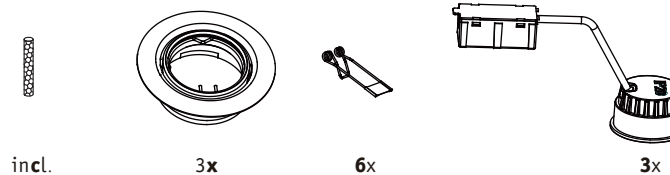
www.paulmann.com/symbols

Paulmann Licht GmbH
Quezinger Feld 2
31832 Springe
Germany

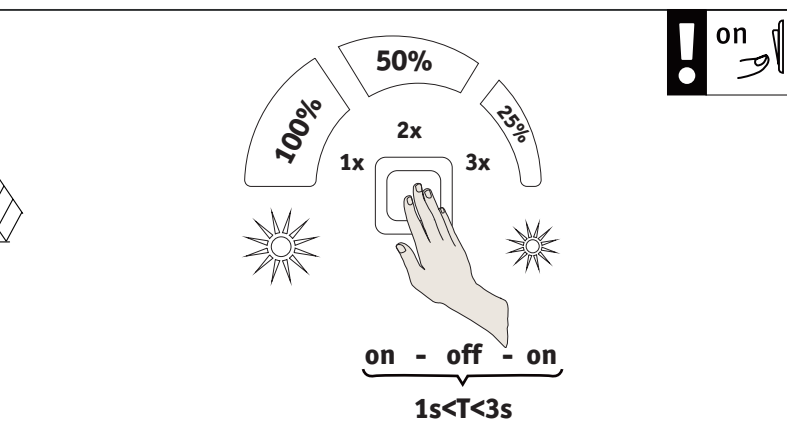
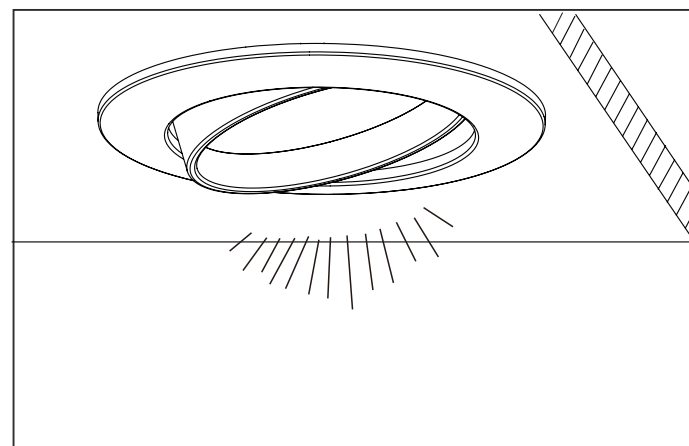
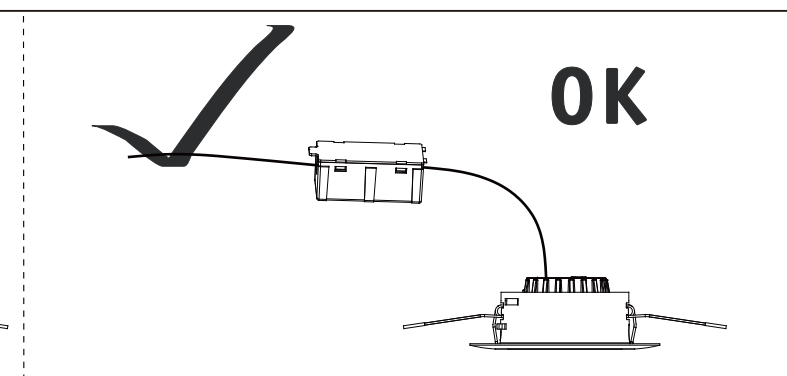
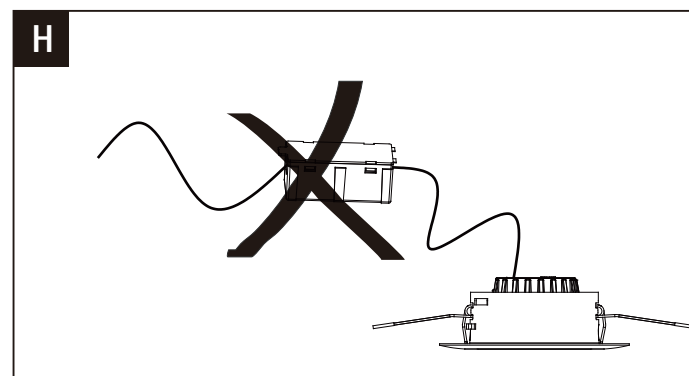
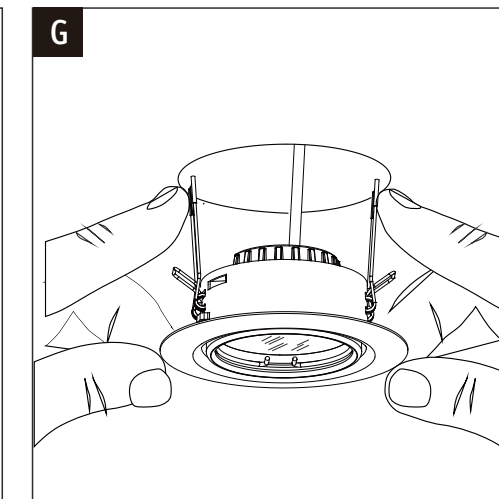
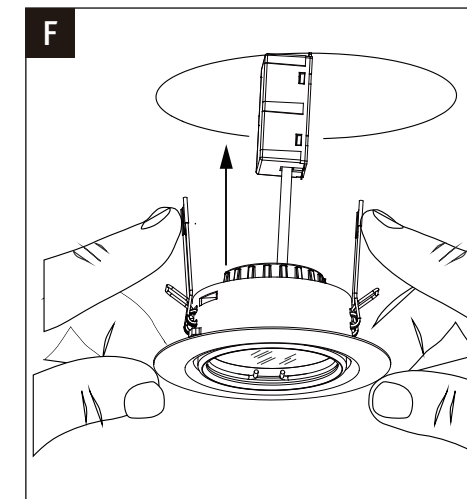
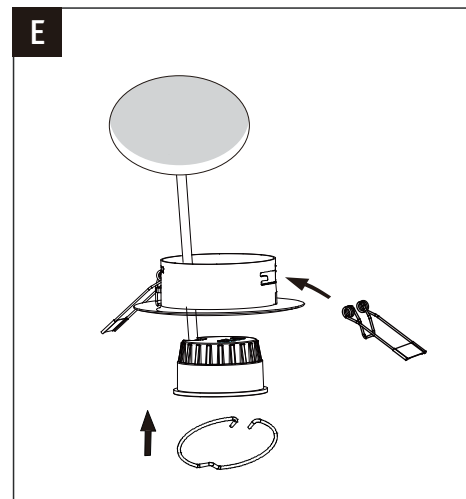
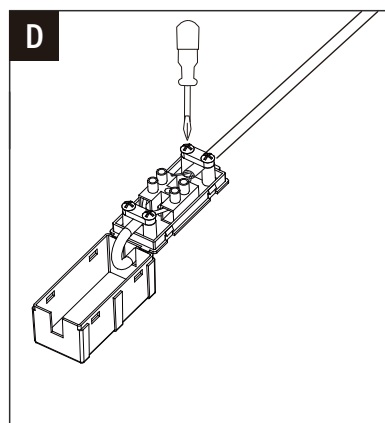
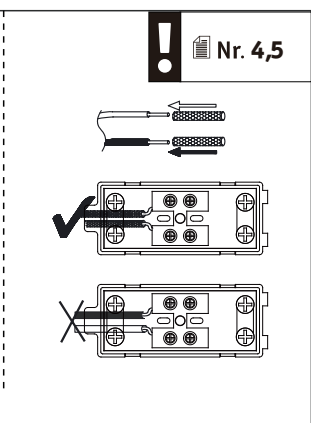
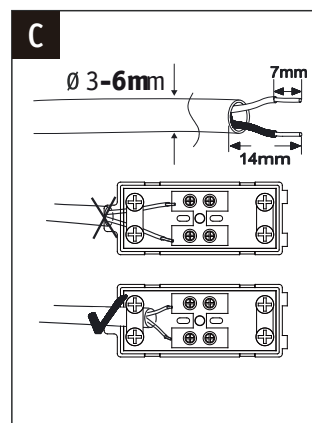
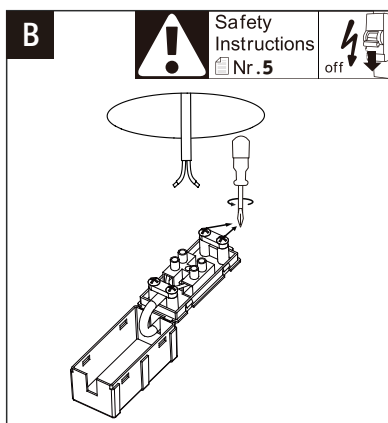
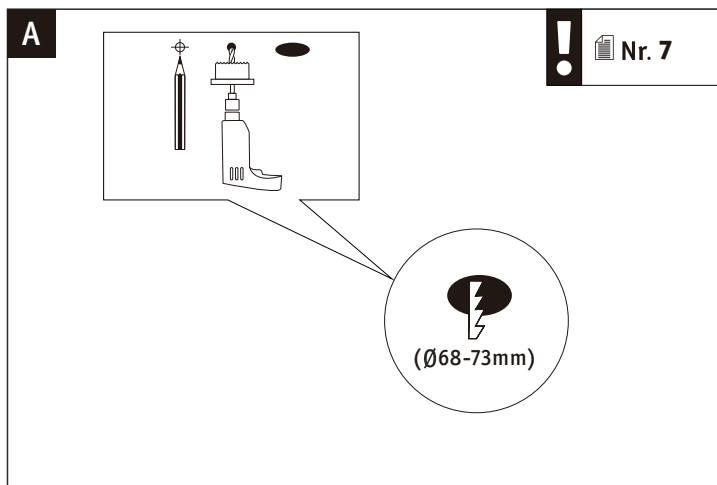
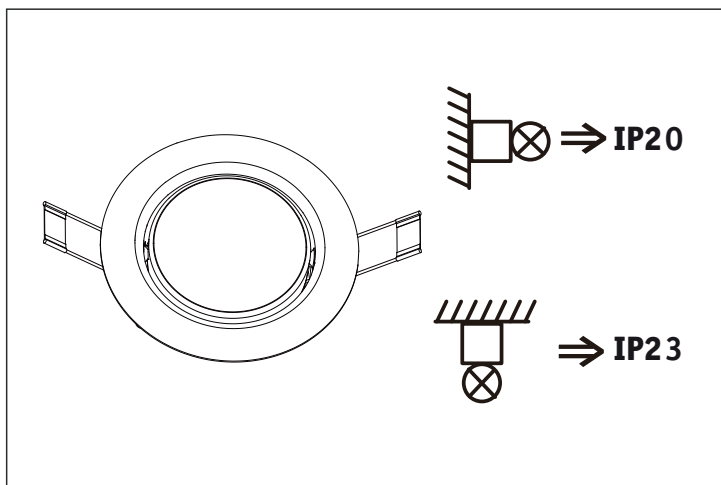
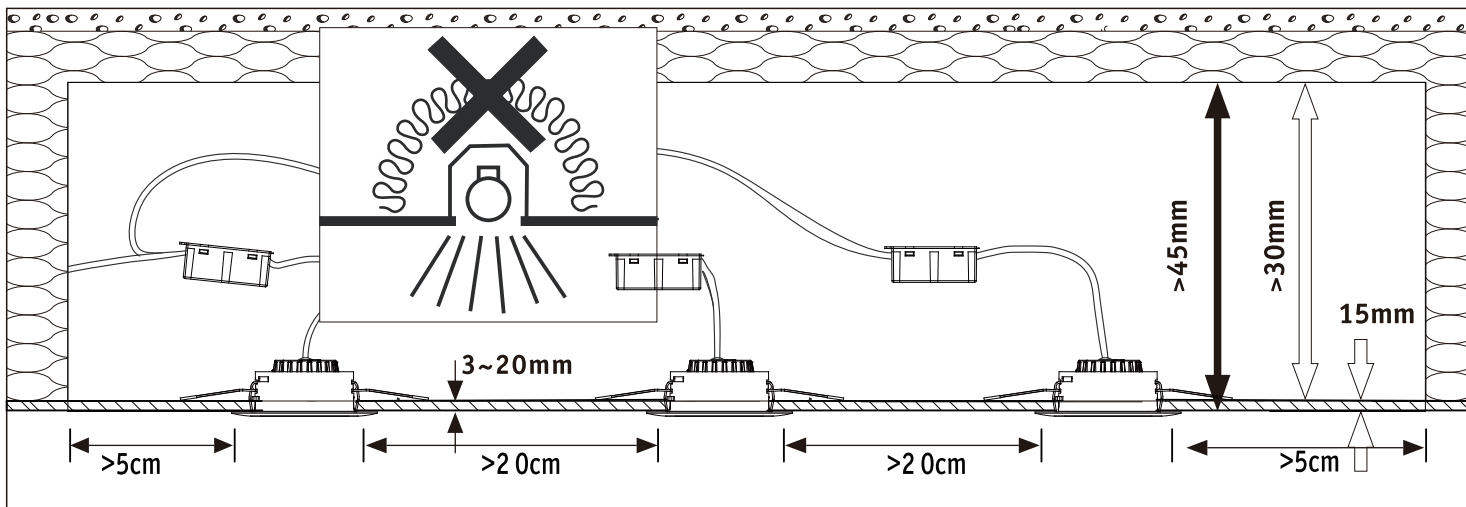


www.paulmann.com

Art.-Nr.: 934.25
934.27



(+MA326) PSPU 07/22



370 lm
5W
230V

warm white
3000K

CRI/Ra ≥ 83

ON OFF >50.000

Lumen 60% <2 s

dimable

≈ 15x 1.000h

Ø 51 mm

CE UK CA

21 PAP

390093077

