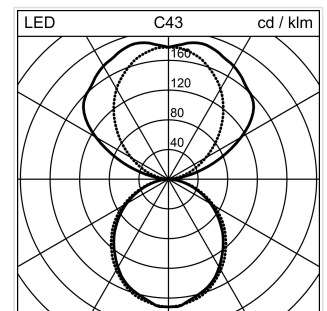
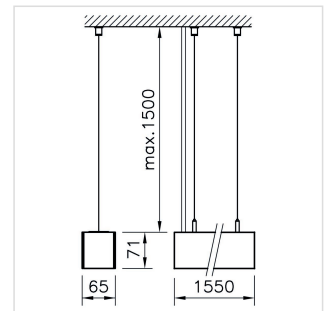


Channel S Up

Pendant luminaire

2001.0736

CHAN-S-UP PEN1550-1500 LED3720-840 DID RUN DALI



System power	35 W
Maintained luminous flux	L80 50'000 h
Colour temperature	4000 K neutral white
Light control	DALI
Luminous flux of luminaire	3720 lm
Colour / Finish	grey
Colour consistency SDCM	SDCM 3
Weight	3.31 kg
Photobiological safety	RG 0 - no risk
Unified Glare Rating (UGR) C0	18
Colour Rendering Index (CRI) C0	CRI >80
Unified Glare Rating (UGR) C90	18

Pendant luminaire Channel S Up with LED, system power: 35 W, standby power 0.5 W, luminous flux of luminaire 3720 lm, colour rendering index CRI >80, 4000 K, neutral white, colour tolerances SDCM 3, lifetime LED L80 50'000 h, 230 V, direct-indirect light emission, housing in aluminium, natural-colour anodised, diffuser in polymethyl methacrylate (PMMA) RUN optics, opal, 1 integral control gear, DALI, with halogen-free wiring,

protection class I, ingress protection IP20, glow wire test 650 °C, impact strength: IK 08, service temperature range -5 to +30 °C, this product contains a light source of energy efficiency class B and EPREL registration number: 1124091

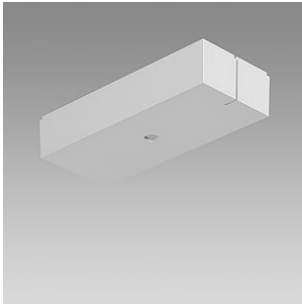
L = 1550 mm, B = 65 mm, H = 71 mm, p = 1500 mm

Datasheet : Accessories

Channel S Up - Pendant luminaire

2001.0736

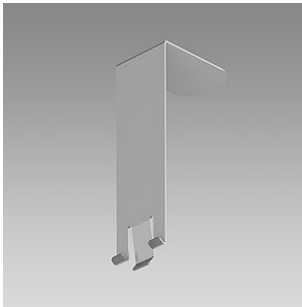
CHAN-S-UP PEN1550-1500 LED3720-840 DID RUN DALI



2001.8467

Universal

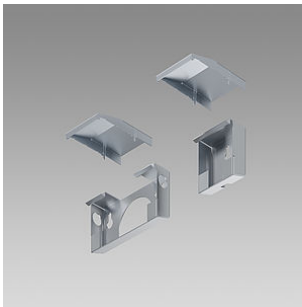
Canopy kit Universal white RAL 9016, for wire cord suspension and connection cable L = 132 mm B = 56 mm H = 25 mm



1022.8951

Purelite

Dismantling tool Channel S, Channel S UP, Purelite, Purelite Slim



2004.6119

Channel S

Wall retainer kit Channel S Set consisting of two wall brackets and two covers. Wide wall bracket for infeed L = 105 mm