

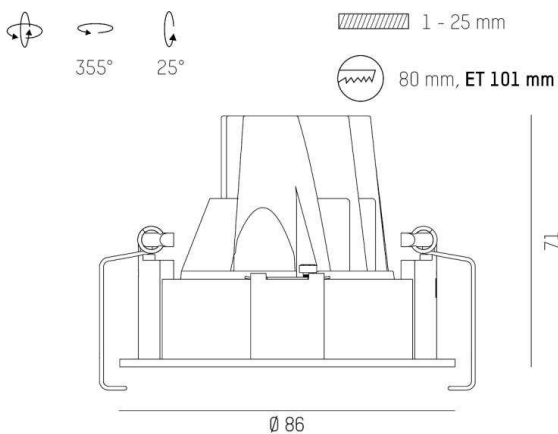
DARK NIGHT XS

684-00403054305v1

DARK NIGHT TURN XS R RECESSED SPOTLIGHT made of aluminium, white matt, similar to RAL 9016, decor black, high-efficiently vacuum deposited aluminium reflector beam 40°, light output direct, UGR <19, swiveling 355°, tilting 25°, without converter, max. 250/350mA, IP20



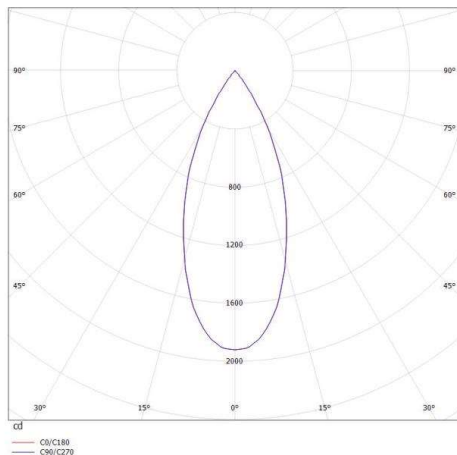
DRAWING



TECHNICAL DETAILS

Bulb type	LED 9/13W
Luminous flux [lm]	780/1040
Current sec. [mA]	250/350
Colour temp. [K]	2700K
CRI	PREMIUM>90
UGR	<19
Optics	vacuum deposited aluminium reflector
Designer	INHOUSE
Converter	without converter
Light output	direct
Beam angle [°]	40°
Material	aluminium
Height [mm]	71
Diameter [mm]	86
Ceiling cutout [mm]	80
Ceiling thickness [mm]	1-25
Recess depth [mm]	101
IP protection class	IP20
Voltage class	protection cl. II
Net weight [kg]	0,34
Color lamp	white matt
RAL	9016
Colour decor	black
EAN-Number	9010506115239
Lifetime [h]	L80 B10 50 000
Energy efficiency cl.	E

LIGHT DISTRIBUTION CURVE



The values are rated values. Power and luminous flux are initially subject to a tolerance of +/- 10%. Colour temperature tolerance: +/- 150 K. The values apply to an ambient temperature of 25°C unless otherwise specified.