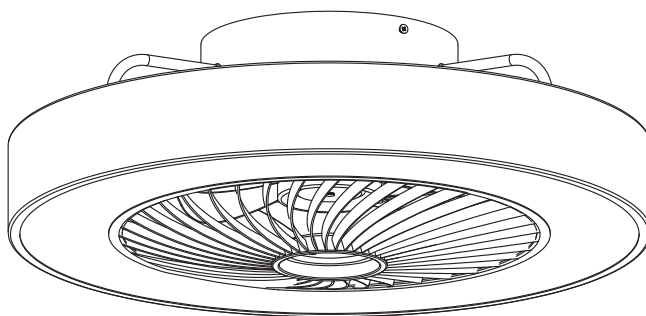
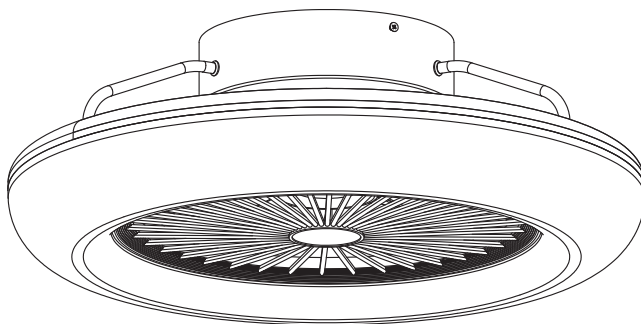



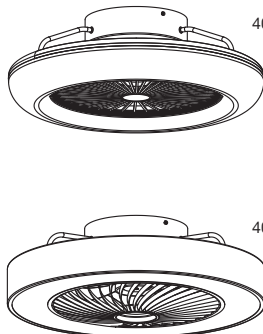


## SMART<sup>+</sup> WIFI CEILING FAN





	EAN	W	lm	K	°C	V~	mA	Hz	PF	Fan W
SMART WIFI CEILING FAN RD REM TW WT	4058075572553	35	3000	3000-6500	-20...+40	220-240	162	50/60	0.9	40
SMART WIFI CEILING FAN CYL REM TWGR	4058075572577	38	2500	3000-6500	-20...+40	220-240	172	50/60	0.9	40

1x 


1x 


**3000 g**  
4058075572553

2x 

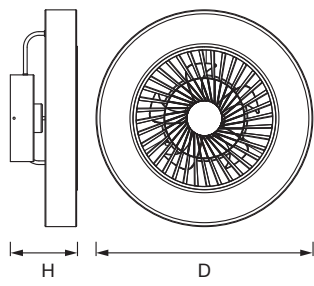
2x 

**4000 g**  
4058075572577

2x 


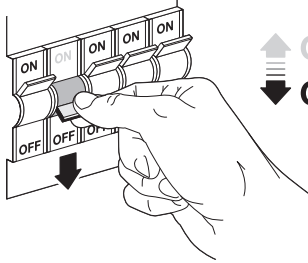
2x 

mm



	H	D
CEILING FAN ROUND 550MM	190	550
CEILING FAN CYLINDER 550MM	168	550

1

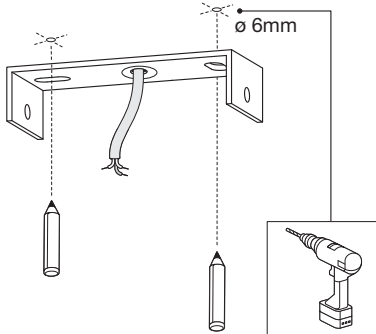



ON  
ON  
ON  
ON

OFF  
OFF  
OFF  
OFF

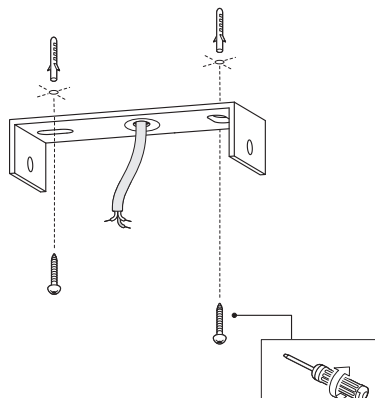
ON  
OFF

2 Only suitable for ceiling mounting  
The fan is to be installed so that the blades are more than 2.3 m above the floor.

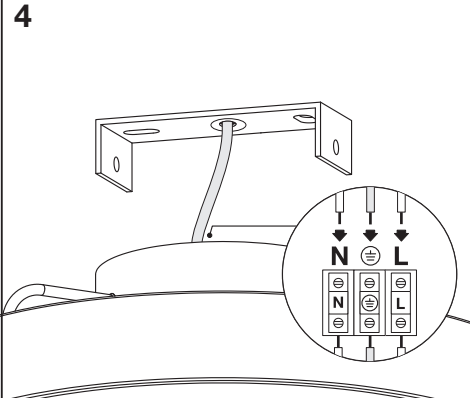


ø 6mm

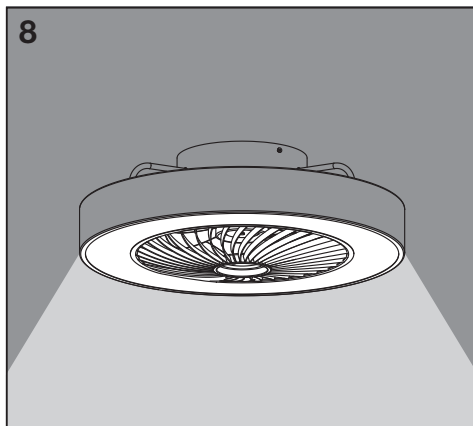
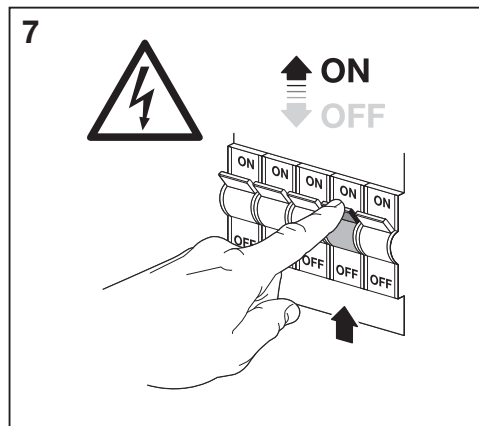
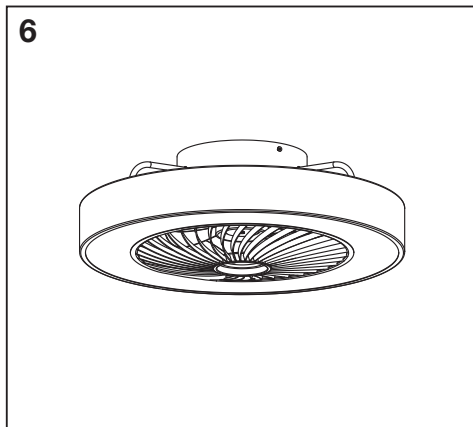
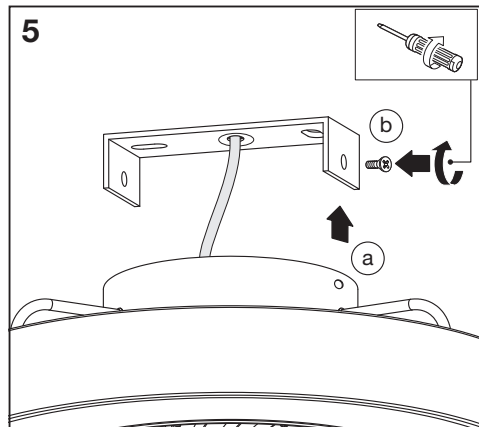
3



4



N L



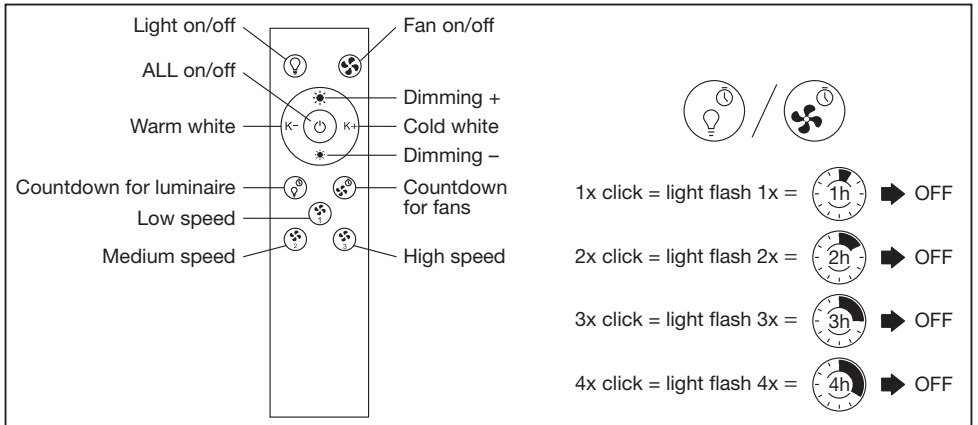
**WARNING**



- Do not place any objects in the path of the blades
- If unusual oscillating movement is observed, immediately stop using the ceiling fan and contact the manufacturer, its service agent or suitably qualified persons

**MAINTAINANCE**

- Once yearly clean your fan periodically to its new appearance
- Use only lukewarm water, do not use detergent, corrosive or acidic solution
- Damp the cloth lightly
- Use only soft or lint-free cloth to clean the fan, rough cloth will scratch the surface
- There is no need to oil the fan
- Use a soft cloth moisten with mild soap to clean the blade, and then use a dry cloth to wipe it again



C10449057  
 G11111753  
 19.04.2021



LEDVANCE GmbH  
 Steinerne Furt 62  
 86167 Augsburg, Germany  
[www.ledvance.com](http://www.ledvance.com)