

Instructions

Tripod HM12 Hvidt & Mølgaard 1953



Please read these instructions carefully and retain them for future reference to ensure the product is used correctly. For your own safety, please study each step of this instruction manual before beginning installation. &Tradition is not responsible for any faults or damage caused by not following these instructions correctly. Do not modify this product in any way. If you have any questions or comments, please do not hesitate to contact us by mail on: info@andtradition.com

&Tradition®

Safety precautions

- Dispose of plastic bag from packaging immediately and keep out of reach of children.
- The lamp is intended for interior use only.
- Always ensure product is disconnected from power source before attempting any part of the installation process.
- If the external cable or cord of the lamp is damaged, it must be replaced by the manufacturer or a similarly qualified person to avoid any potential hazards.
- Consult a professionally qualified electrician if in any doubt.
- Keep product well out of reach of children.
- To reduce the risk of strangulation, wiring should be effectively fixed to the wall. Avoid trailing cable to prevent trip hazards and keep out of reach of children.

Cleaning instructions

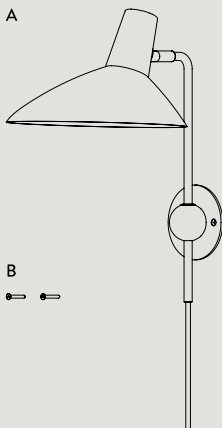
- Wipe surface of the shade with a soft dry cloth.
- Do not use any abrasive cleaning tools such as steel wool, scouring sponges or stiff brushes.
- Never use strong cleaning agents such as white spirit, turpentine, household glass cleaner or cellulose thinners.

For indoor use only
E14 Maximum 25W
Bulb not included



Contents

- A Lamp
- B Screws



Tools needed

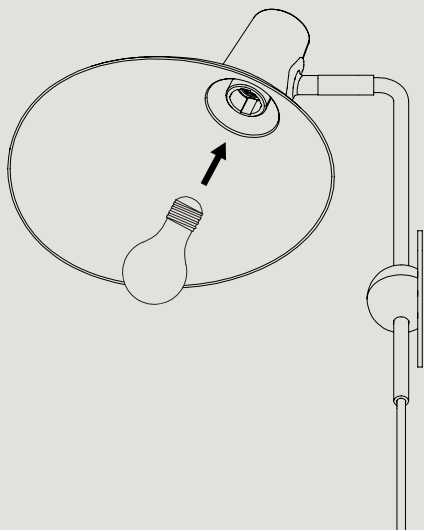
- Bulb type E14

&Tradition®

Please follow steps 1 to 3 to assemble the product.

Step 1

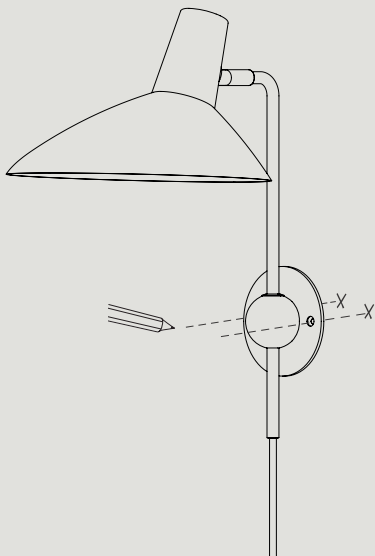
Install lightbulb into lamp.



&Tradition®

Step 2

Ensure the cord can be connected to a nearby power source so that it does not over-stretch or become an obstacle. Place the lamp in the desired location. Ensure the lamp is level and mark the placement of the holes with a pencil.



&Tradition®

Step 3

Drill holes for the lamp and insert suitable plugs for both the selected wall type and provided screws. Match the holes in the lamp's base to the wall and insert screws before tightening and ensuring the lamp is safely fixed.

