

# OMLED One s3

## Minimalistic design

Delicate conductive suspensions serve as the pendant's current-carrying hanger assembly, making the lamp appear to float like a light surface in a room.

## High quality material

Satin-finished clear glass as "light medium" lends the luminaire an almost floating appearance in a space.

## Excellent light quality

By way of the pure, clear and very natural light of an OLED we achieve an excellent light quality and a very good colour rendering.

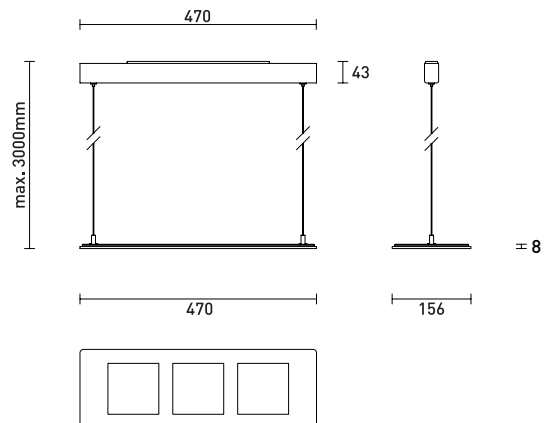
## Forward-looking technology

The luminaire's glass case is circuit board and control element in one.



## Technical data

<b>Colour variants:</b>	white	Art.No.: 199093
	black	Art.No.: 199094
<b>Dimensions(LxWxH):</b>	470mm x 156mm x 8mm	
<b>Illuminant Material:</b>	Glass, Steel	
<b>Canopy material:</b>	Steel, Aluminium (white)	
<b>Life time:</b>	30,000 h	
<b>Degree of protection:</b>	IP 20	
<b>Dimmable:</b>	Touchdimmer	
<b>Voltage:</b>	24V DC	
<b>Supply voltage:</b>	220-240 V / 50-60 Hz	
<b>Power consumption:</b>	max. 17W	
<b>Energy efficiency class:</b>	A to A++	



## Photometric data

<b>Illuminant:</b>	3x OLED
<b>Colour temperature:</b>	2800 Kelvin
<b>Colour rendering index:</b>	> 80 Ra
<b>Luminous flux:</b>	400 lm
<b>Beam angle:</b>	150°
<b>Lightquality:</b>	UVA- & IR-free light

