



CARE INSTRUCTIONS

Daily cleaning can be done by wiping the frame with a clean dry cloth. Should the surface need more attention this can be cleaned with water and a light detergent or soap applied with a damp cloth. Wipe after with a clean dry cloth. Avoid any abrasive materials.

TROUBLESHOOTING

If lamp does not light, turn off the power. Check the bulb for a broken filament. Replace bulb if necessary, then turn it on. If the lamp still does not light, please contact customer service at the local dealer. If the external flexible cable or cord of this lamp is damaged, it must be replaced by a qualified electrician in order to avoid a hazard.



For enquiries contact GUBI A/S - CVR: 17940384
Klubiensvej 7-9, 2150 Nordhavn, Copenhagen, Denmark

T +45 69 15 60 60 – order@gubi.com

GUBI.COM

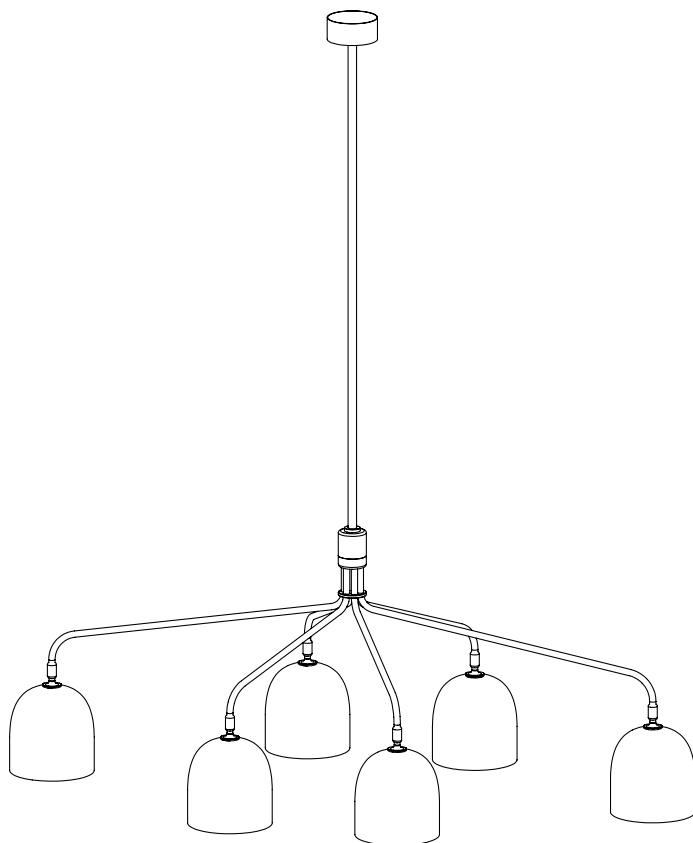
138-20-005-01Howard Chandeliers Extra Pole Kit

GUBI

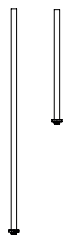
ASSEMBLY INSTRUCTIONS

for

Howard Chandelier Extra Pole Kit



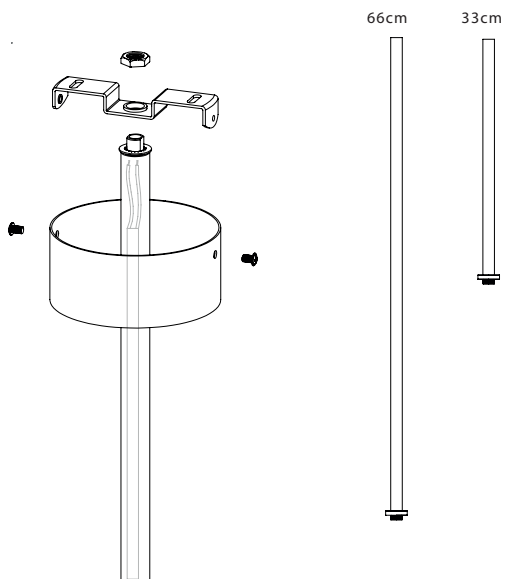
CONTENTS



x1 x1

1.

Select the appropriate pole to reach your preferable Cahndelier high
Then Remove the top Hexagon to remove the bracket and extract the
electrical cable

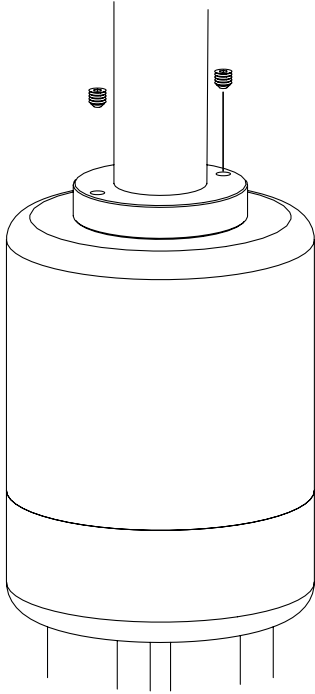


2.

Insert the cable inside the new tube and re-assembly the bracket using the
Hexagon

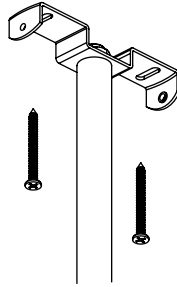
3.

Using the allen key, secure the pendant tube to the chandelier base by tightening the two set screws



4.

Mount the chandelier to the ceiling using the two supplied wood screws



5.

Follow the AI

138-20-003-01 Assembly Instructions Howard Chandelier 6 Armed

138-20-002-01 Assembly Instructions Howard Chandelier 4 Armed, Long