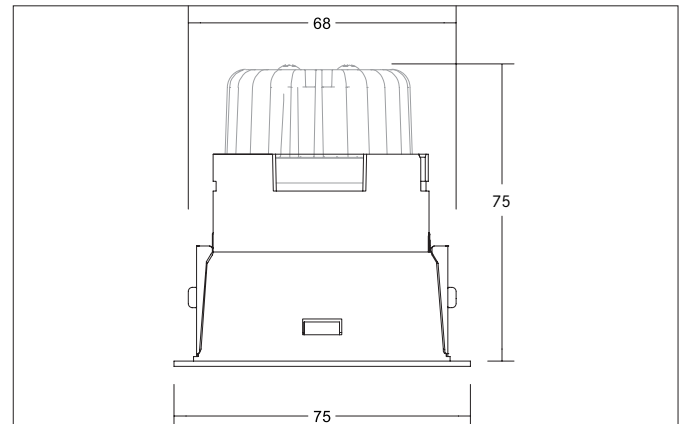


BINATO LED-Einbaustrahlerset, dreh- und schwenkbar, Phasenabschnitt dimmbar, dim2warm

Article no. 39 173 173DW

Light.
For Generations.

Tender

LED-Einbaustrahlerset, dreh- und schwenkbar, Phasenabschnitt dimmbar, dim2warm, Round. Toolless ceiling installation by leaf spring. Ceiling cut-out Ø 68 mm, Installation depth 75 mm, Outer diameter 75 mm, Weight 0,192 kg, Reflector silver with rotationssymmetrical, deep, wide distributed light intensity. optimal light distribution due to a glass transparent cover. Luminous flux 460 lm, Power 1 x 6 W, Light colour warm white to warm white, Correlated color temperature (CCT) 3.000 K - 1.800 K, Colour rendering index CRI > 80, Housing material: Aluminium / Plastic, Colour: White structure, Permissible ambient temperature (ta): -20 °C - +25 °C, Protection class (EN 61140): III, Degree of protection (DIN EN 60529): IP20, .With electronic driver, Trailing-edge phase dimmable.

| Article data | |
|--------------------|--|
| Article no. | 39 173 173DW |
| GTIN | 425 1433982067 |
| Series name | BINATO |
| Short description | LED-Einbaustrahlerset, dreh- und schwenkbar, Phasenabschnitt dimmbar, dim2warm |
| Material | Aluminium / Plastic |
| Colour | White |
| Type of surface | Structure |
| Shape | Round |
| Outer diameter | 75 mm |
| Built-in diameter | 68 mm |
| Installation depth | 75 mm |
| Hight | 2 mm |
| Scope of delivery | inkl. Blattfederbefestigung |
| Weight | 0.192 kg |

BINATO LED-Einbaustrahlerset, dreh- und schwenkbar, Phasenabschnitt dimmbar, dim2warm

Article no. 39173173DW

Light.
For Generations.

| Lighting technology | |
|------------------------------|-------------------|
| Colour temperature | 3.000 K - 1.800 K |
| Light output | Direct |
| Luminous flux | 460 lm |
| System efficiency | 77 lm/W |
| Colour rendering | CRI > 80 |
| Reflector | High-gloss |
| Reflektorfarbe | silver |
| Beam angle | 38° |
| Light sharing | Symmetric |
| Adjustable color temperature | Infinite control |

| Operating technology of the luminaire | |
|---------------------------------------|--|
| System output | 6 W |
| Voltage type | AC |
| AC nominal voltage max | 230 V |
| Frequenz max. | 50 Hz |
| Lamp | LED |
| Protection class | III |
| Degree of protection | IP20 |
| Dimmable | Yes |
| Control | Trailing-edge phase |
| Bulb change possible | The light source of this luminaire may only be replaced by the manufacturer or a service technician commissioned by him or a similarly qualified person. |

| Mounting technology | |
|-----------------------------|---|
| Mounting method | Recessed mounting |
| Place of installation | Ceiling-mounted |
| Adjustability | Rotable and pivoted |
| Swivel angle | 30° |
| Rotation angle | 355° |
| Max. ceiling thickness | 25 mm |
| Further references | No cover with thermal insulation material |
| Material cover | Glass transparent |
| Circlip | Without circlip |
| Suitable for through-wiring | Yes, with optional accessories |

| Packing data | |
|-------------------------|---|
| Gross weight | 0.255 kg |
| Length of packaging | 100 mm |
| Packaging width | 100 mm |
| Packaging height | 100 mm |
| Disposal at end of life | This product must not be disposed of with household waste. You are obliged, to dispose of such electrical waste separately. By disposing of electrical waste and other old or defective electronics separately, you support recycling or other forms of re-use. In that way you help to take care and to avoid that harmful substances get into the environment. |