

Instructions



P376 KF1 Kastholm & Fabricius 1963

Congratulations on choosing this P376 Pendant, designed in 1963 by Kastholm & Fabricius. We hope you will enjoy using this lamp and follow these instructions to ensure correct installation. If you have any questions or comments, please do not hesitate to contact us by mail on:

info@andtradition.com

P376 KF1

Kastholm & Fabricius

1963

Please read these instructions carefully and retain them for future reference to ensure that the product is used correctly. For your own safety, please study each step of this instruction manual first. &Tradition is not responsible for any faults or damages caused by not following these instructions correctly. Do not modify this product in any way.

Contents

- A Lamp shade
- B Lamp holder unit with cable
- C Canopy with metal ceiling bracket and connection box

Installing suggestions

The P376 Pendants can be installed alone or in groups and is ideal for use at homes as well as in offices.

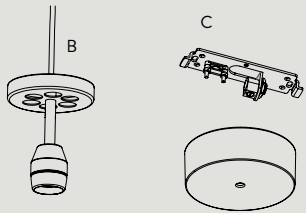
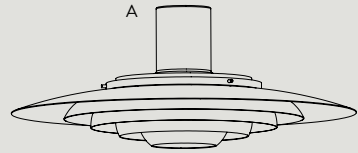
Visit our website for more inspiration:
www.andtradition.com

Safety precautions

- Dispose of all plastic bags from the packaging and do not allow children to play with it.
- Keep the product well out of children's reach.
- The product is only intended for interior use.
- Do not attempt installation of the product if you are not competent to do so yourself.
- Consult a professionally qualified electrician if in any doubt.
- Disconnect the electricity supply at the fuse box, before commencing work

Cleaning instructions

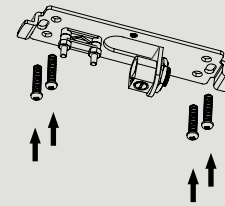
- Wipe the surface of the lamp shade with a soft, damp sponge or cloth, and wipe immediately after with a dry cloth.
- Do not use any abrasive cleaning tools such as steel wool, scouring sponges or stiff brushes.
- Never use strong cleaning agents such as white spirit, turpentine, household glass cleaner or cellulose thinners.



E27 bulb | Not included

Technical data

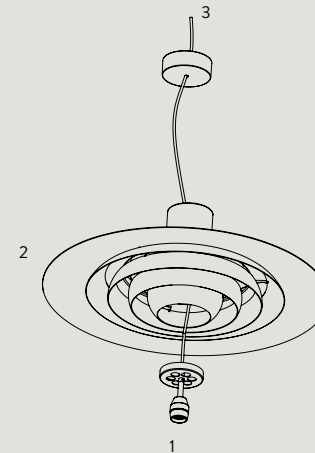
P376 KF1 Ø47.5cm - Max 100 W
(≈ 1530 Lumen)



Step 1

Ensure the power supply is turned off and remove any existing lamp fitting. Locate the supply cable and ensure it is ready to be fitted to the connector block.

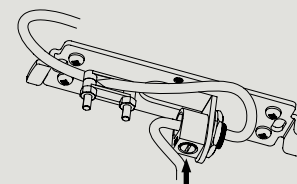
Mount the metal bracket securely in the ceiling with screws and wall plugs, appropriate for the ceiling of installation.



Step 2

Pull the cable from the lamp holder unit (1) through the lamp shade (2) and the canopy cup (3).

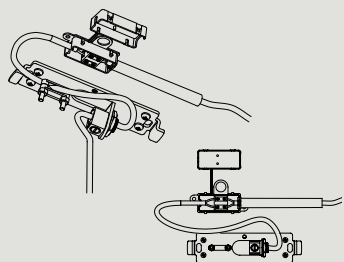
Make sure the lamp holder unit goes all the way to the top inside the shade.



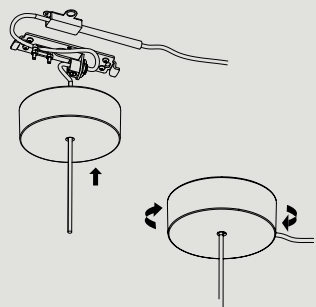
Step 3

Slide the cable through the strain relief on the metal bracket and pull until you have found the proper height for the lamp.

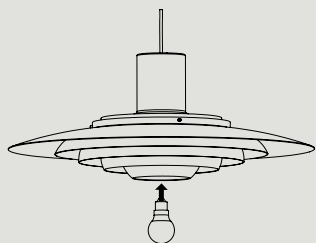
Tighten the screw to secure the lamp in the right height.

**Step 4**

Use the terminal block inside the connection box to assemble the wires from the pendant with the wires from the power supply. Close the connection box and place it inside the canopy.

**Step 5**

Place the canopy cup onto the metal bracket and twist to secure it in the right position.

**Step 6**

Install the light bulb.

CE   IP20 

&Tradition®