

Cassette

Design Daniel Rybakken, 2020



- Type: Ceiling / wall
- Lamps: LED 3000K CRI 90
- Product use: Indoor
- Materials: Aluminium structure, reflector in technopolymer
- Colors: Matt white
- Description: A lamp for direct light featuring a large, uniform and glareproof luminous surface. The luminous motor is the result of an optical "packet" driven by the use of edge-lit LED technology. The body is composed of an extruded aluminium frame and a sheet (passe-partout) equipped with a central circular cut that emits light into the surrounding space.

Insulation class:

Reference code: **A03C44** 1A030AC44002 matt white 890 lm
A03C66 1A030AC66002 matt white 2.140 lm
A03C99 1A030AC99002 matt white 3.000 lm

Power supplies Kit

A03/1 1A030/010000 phase cut
 compatible with A03C44/A03C66/A03C99

A03/2 1A030/020000 push dim/DALI
 compatible with A03C44

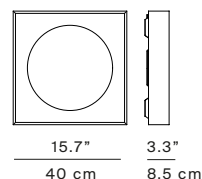
A03/3 1A030/030000 push dim/DALI
 compatible with A03C66/A03C99

Power consumption: structure + power supply

	+		=	
A03C44		A03/1		23W
A03C44		A03/2		28W
A03C66		A03/1		41W
A03C66		A03/3		38W
A03C99		A03/1		58W
A03C99		A03/3		53W

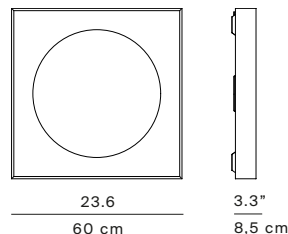


A03C44



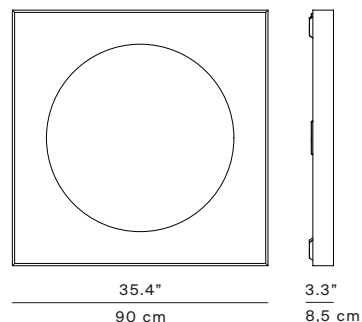
weight: 3,7 Kg

A03C66



weight: 7,3 Kg

A03C99



weight: 13,7 Kg

